

Genuine Spare Parts

Catalogo delle parti di ricambio
Spare parts catalogue
Catalogue des pieces de rechange
Ersatzteilkatalog

2004

- Use GLOBAL GARDEN PRODUCT Genuine Spare Parts specified in the parts list for repair and/or replacement.
- The contents described in the parts list may change due to improvement.
- The drawings of the spare parts are only indicative and might not represent the part in question exactly.
- The indications "right" - "left" - "front" - "rear" refer to the position of the operator when using the machine.
- When placing orders of parts for repair and/or replacement, make sure that the illustrated parts list is the one applying to the machine's year of manufacture, as shown on the identification plate attached to the machine.

COPYRIGHT by GLOBAL GARDEN PRODUCTS

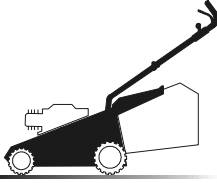
All rights reserved. No part of this material may be reproduced or transmitted, in any form or by any means, electronic or mechanical, including photocopying, recording or by any information storage and retrieval system, without permission in writing from GLOBAL GARDEN PRODUCTS.



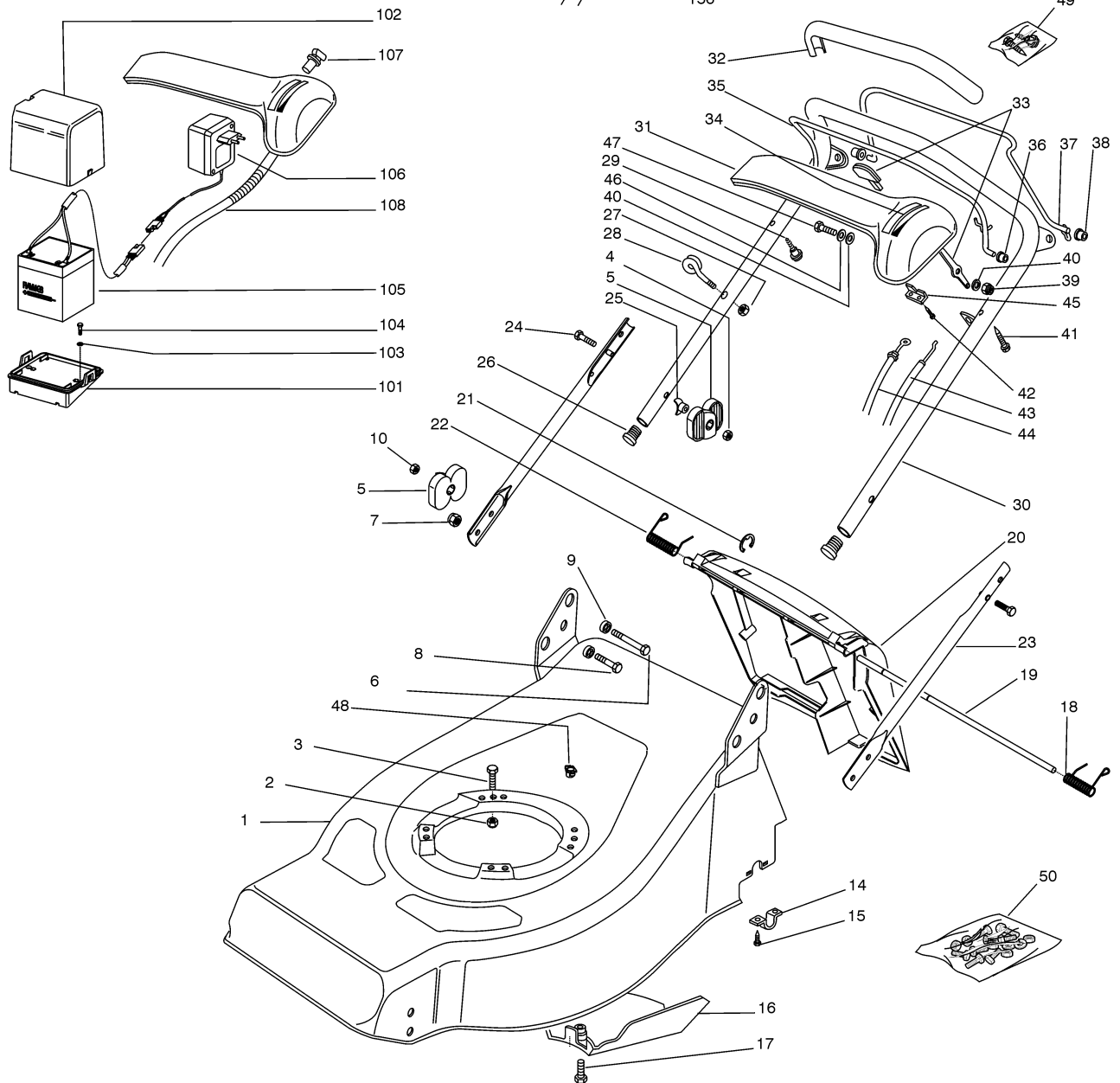
GLOBAL GARDEN PRODUCTS



1



01D_R484TR_ROLLER



01T.066

| Pos. | Code | Q.ty | Descrizione | Description | Description | Beschreibung | Remarks |
|------|------------|------|----------------|-------------|--------------|--------------|---------|
| 1 | 81002584/0 | 1 | CHASSIS GRIGIO | DECK GREY | CHÂSSIS GRIS | GEHÄUSE GRAU | |
| 2 | 12155000/0 | 0/1 | DADO | NUT | ECROU | MUTTER | |
| - | 12293201/0 | 3/2 | DADO | NUT | ECROU | MUTTER | |
| 3 | 12691800/0 | 0/1 | VITE | SCREW | VIS | SCHRAUBE | |
| - | 12793701/0 | 3/2 | VITE | SCREW | VIS | SCHRAUBE | |
| 4 | 12293202/0 | 4 | DADO | NUT | ECROU | MUTTER | |
| 5 | 22399803/0 | 4 | MANOPOLINA | KNOB | POIGNÉE | GRIFF | |
| 6 | 12793700/0 | 2 | VITE | SCREW | VIS | SCHRAUBE | |
| 7 | 12155000/0 | 2 | DADO | NUT | ECROU | MUTTER | |



01T.066

| Pos. | Code | Q.ty | Descrizione | Description | Description | Beshreibung | Remarks |
|------|------------|------|-----------------------------|---------------------------|------------------------------|-------------------------|----------------------------|
| 8 | 12792610/0 | 2 | VITE | SCREW | VIS | SCHRAUBE | |
| 9 | 22041955/0 | 4 | BUSSOLA | BUSH | DOUILLE | BUCHSE | |
| 10 | 12293200/0 | 2 | DADO | NUT | ECROU | MUTTER | |
| 14 | 22545154/0 | 2 | PIASTRINA | PLATE | PLAQUETTE | PLATTE | |
| 15 | 12737350/0 | 4 | VITE | SCREW | VIS | SCHRAUBE | |
| 16 | 22060195/0 | 1 | CARTER CINGHIA | PROTECTION, BELT | PROTECTION COURROIRE | SCHUTZ, RIEMEN | |
| 17 | 12728530/0 | 1 | VITE | SCREW | VIS | SCHRAUBE | |
| 18 | 22450420/1 | 1 | MOLLA SX | L SPRING | RESSORT G | LINKE FEDER | |
| 19 | 22517906/1 | 1 | PERNO | PIN | PIVOT | BOLZEN | |
| 20 | 22600063/1 | 1 | PARASASSI | STONE-GUARD | PARE-PIERRES | PRALLBLECH | |
| 21 | 12000930/0 | 1 | ANELLO ELASTICO | SNAP RING | ANNEAU RESSORT | SPRENGRING | |
| 22 | 22450410/1 | 1 | MOLLA DX | R SPRING | RESSORT D | RECHTE FEDER | |
| 23 | 81006973/0 | 2 | MANICO, PARTE INF | HANDLE, LOWER PART | MANCHERON, PARTIE INFERIEURE | HOLM, UNTERTEIL | |
| 24 | 12819125/0 | 2 | VITE | SCREW | VIS | SCHRAUBE | |
| 25 | 22680006/1 | 2 | ROSETTA | WASHER | RONDELLE | SCHEIBE | |
| 26 | 18566112/0 | 2 | PUNTALE | CAP | BOUCHON | GUMMISTOPFEN | |
| 27 | 12154330/0 | 1 | DADO | NUT | ECROU | MUTTER | |
| 28 | 22430309/0 | 1 | MOLLA GUIDA | GUIDE SPRING | RESSORT DE GUIDE | FEDER FÜHRER | |
| 29 | 22943006/0 | 1 | VITE | SCREW | VIS | SCHRAUBE | |
| 30 | 81006981/0 | 1 | MANICO, PARTE SUP | HANDLE, UPPER PART | MANCHERON, PARTIE SUPERIEURE | HOLM, OBERTEIL | |
| 31 | 22120152/0 | 1 | CRUSCOTTO GIALLO | DASH BOARD YELLOW | CONSOLE JAUNE | KONSOLE GELBE | |
| - | 22120154/0 | 1 | CRUSCOTTO ROSSO | DASH BOARD RED | CONSOLE ROUGE | KONSOLE ROTE | |
| - | 22120158/0 | 1 | CRUSCOTTO NERO | DASH BOARD BLACK | CONSOLE NOIRE | KONSOLE SCHWARZE | |
| 32 | 22291050/0 | 1 | IMPUGNATURA MANICO NERA | HANDGRIP BLACK | POIGNÉE NOIRE | HANDGRIFF SCHWARZER | |
| - | 22291051/0 | 1 | IMPUGNATURA MANICO ROSSA | HANDGRIP RED | POIGNÉE ROUGE | HANDGRIFF RÖTER | |
| - | 22291052/0 | 1 | IMPUGNATURA MANICO GIALLA | HANDGRIP YELLOW | POIGNÉE JAUNE | HANDGRIFF GELBER | |
| 33 | 81007280/2 | 1 | LEVA, ACCELERATORE | LEVER, THROTTLE | LEVIER, ACCELERATEUR | HEBEL, BESHLEUNIGER | |
| 34 | 14356744/0 | 1 | ETICHETTA | LABEL | ETIQUETTE | ETIKETTE | (B&S) |
| - | 14356743/0 | 1 | ETICHETTA | LABEL | ETIQUETTE | ETIKETTE | (HONDA) |
| - | 14357646/0 | 1 | ETICHETTA | LABEL | ETIQUETTE | ETIKETTE | (TECUMSEH) |
| 35 | 81003291/2 | 1 | LEVA FRENO MOTORE | LEVER, MOTOR BRAKE | LEVIER FREIN MOTEUR | HEBEL, MOTORBREMSE | |
| 36 | 22041966/0 | 2 | BUSSOLA | BUSH | DOUILLE | BUCHSE | |
| 37 | 81003288/1 | 1 | LEVA TRAZIONE | LEVER, DRIVING | LEVIER TRACTION | HEBEL, ANTRIEB | |
| 38 | 22041965/0 | 2 | BUSSOLA | BUSH | DOUILLE | BUCHSE | |
| 39 | 12154510/0 | 1 | DADO | NUT | ECROU | MUTTER | |
| 40 | 12523040/0 | 2 | ROSETTA | WASHER | RONDELLE | SCHEIBE | |
| 41 | 12728518/0 | 1 | VITE | SCREW | VIS | SCHRAUBE | |
| 42 | 12728460/0 | 1 | VITE | SCREW | VIS | SCHRAUBE | |
| 43 | 81007160/0 | 1 | CAVO ACCELERATORE | CABLE, TROTTLE | CABLE, ACCELERATEUR | KABLE, BESCHLEUNIGER | |
| 44 | 81000625/0 | 1 | CAVO FRENO MOTORE | CABLE, THREAD MOTOR BRAKE | CABLE FREIN MOTEUR | KABEL, MOTORBREMSE | (B&S CLASSIC/SPRINT/LS/LC) |
| - | 81000631/0 | 1 | CAVO FRENO MOTORE | CABLE, THREAD MOTOR BRAKE | CABLE FREIN MOTEUR | KABEL, MOTORBREMSE | (B&S QUANTUM) |
| - | 81000641/0 | 1 | CAVO FRENO MOTORE | CABLE, THREAD MOTOR BRAKE | CABLE FREIN MOTEUR | KABEL, MOTORBREMSE | (HONDA GCV 135/160) |
| - | 81000629/1 | 1 | CAVO FRENO MOTORE | CABLE, THREAD MOTOR BRAKE | CABLE FREIN MOTEUR | KABEL, MOTORBREMSE | (TECUMSEH) |
| 45 | 22981467/0 | 1 | PIASTRINA | PLATE | PLAQUETTE | PLATTE | |
| 46 | 12530060/0 | 1 | ROSETTA ELASTICA | ELASTIC WASHER | RONDELLE ELASTIQUE | ELASTISCHE SCHEIBE | |
| 47 | 12791500/0 | 1 | VITE | SCREW | VIS | SCHRAUBE | |
| 48 | 22291150/0 | 1 | INSERTO IN GOMMA | RUBBER INSERT | INSERT DE GAOUTCHOU | GUMMI EINSATZ | |
| 49 | 81008609/0 | 1 | DOTAZIONE VITERIA CRUSCOTTO | OUTFIT, DASH-BOARD SCREWS | DOTATION VISSERIE CONSOLLE | SATZ, KONSOLE SCHRAUBEN | |
| 50 | 81008640/0 | 1 | DOTAZIONE VITERIA | OUTFIT, SCREWS | DOTATION VISSERIE | SATZ, SCHRAUBEN | |



VARIANTI PER AVVIAMENTO ELETTRICO - PARTS FOR ELECTIC START - COMPOSANTS POUR DÉMARRAGE ÉLECTRIQUE - ELEKTROSTART BESTANDTEILE

01T.008

| Pos. | Code | Q.ty | Descrizione | Description | Description | Beschreibung | Remarks |
|------|------------|------|-------------------|------------------|----------------------|------------------|--------------------------|
| 101 | 22785123/0 | 1 | SUPPORTO BATTERIA | SUPPORT, BATTERY | SUPPORT BATTERIE | HALTER, BATTERIE | (B&S - TECUMSEH CENTURA) |
| - | 22785122/0 | 1 | SUPPORTO BATTERIA | SUPPORT, BATTERY | SUPPORT BATTERIE | HALTER, BATTERIE | (TECUMSEH PRISMA) |
| 102 | 22109530/0 | 1 | COPERCHIO | COVER | COUVERCLE | DECKEL | |
| 103 | 12521310/0 | 2 | ROSETTA | WASHER | RONDELLE | SCHEIBE | (B&S - TECUMSEH CENTURA) |
| 104 | 12731590/0 | 2 | VITE | SCREW | VIS | SCHRAUBE | (B&S - TECUMSEH CENTURA) |
| - | 12728520/0 | 2 | VITE | SCREW | VIS | SCHRAUBE | (TECUMSEH PRISMA) |
| 105 | 18120052/0 | 1 | BATTERIA | BATTERY | BATTERIE | BATTERIE | |
| 106 | 18204120/0 | 1 | CARICA BATTERIA | BATTERY CHARGER | CHARGEUR DE BATTERIE | LADGERÄT | |
| 107 | 18450050/0 | 1 | INTERRUTTORE | SWITCH | INTERRUPTEUR | SCHALTER | |
| 108 | 18204192/2 | 1 | CAVO AVVIAMENTO | CABLE, START | CABLE DÉMARRAGE | KABEL, START | (B&S) |
| - | 18204190/3 | 1 | CAVO AVVIAMENTO | CABLE, START | CABLE DÉMARRAGE | KABEL, START | (TECUMSEH) |

VARIANTE ACCELERATORE - THROTTLE MODIFICATION - MODIFICATION COMMANDE D'ACCELERATION - ÄNDERUNGEN AUF GASHEBEL

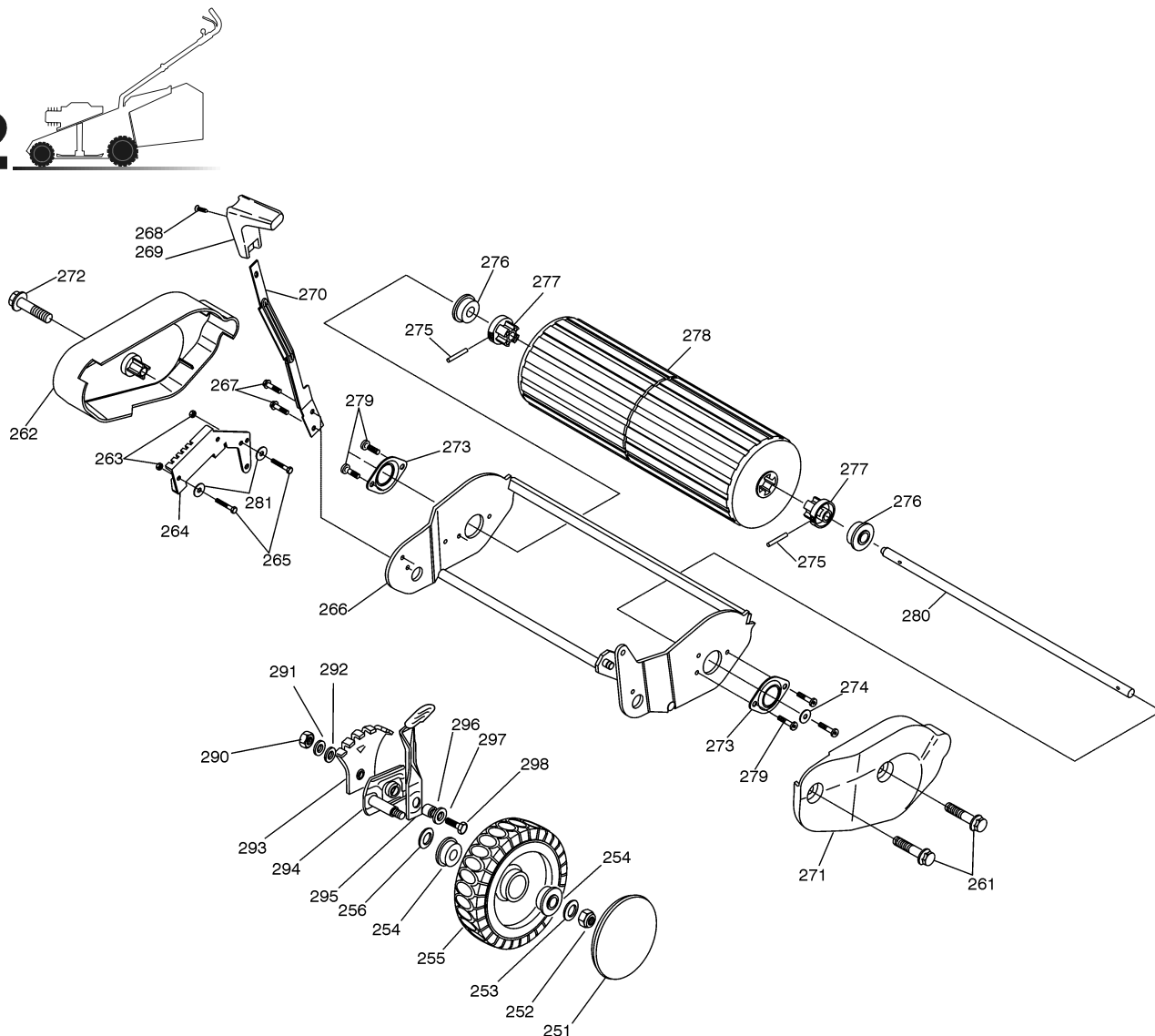
01T.005

| Pos. | Code | Q.ty | Descrizione | Description | Description | Beschreibung | Remarks |
|------|------------|------|--------------------|-----------------|----------------------|----------------------|------------|
| 151 | 12291000/0 | 1 | DADO | NUT | ECROU | MUTTER | |
| 152 | 12581500/0 | 1 | GROWER | GROWER | GROWER | FEDERRING | |
| 153 | 22171005/0 | 1 | DISTANZIALE | SPACER | ENTRETOISE | DISTANZRING | |
| 154 | 12521360/0 | 1 | ROSETTA | WASHER | RONDELLE | SCHEIBE | |
| 155 | 12508100/0 | 1 | ROSETTA ELASTICA | SPRING WASHER | RONDELLE ELASTIQUE | ELASTISCHE SCHEIBE | |
| 156 | 81007279/0 | 1 | LEVA, ACCELERATORE | LEVER, THROTTLE | LEVIER, ACCELERATEUR | HEBEL, BESHLEUNIGER | |
| 157 | 81007080/0 | 1 | CAVO ACCELERATORE | CABLE, TROTTLE | CABLE, ACCELERATEUR | KABLE, BESCHLEUNIGER | |
| 158 | 12815000/0 | 1 | VITE | SCREW | VIS | SCHRAUBE | |
| 159 | 14356703/0 | 1 | ETICHETTA | LABEL | ETIQUETTE | ETIKETTE | (B&S) |
| - | 14356702/0 | 1 | ETICHETTA | LABEL | ETIQUETTE | ETIKETTE | (HONDA) |
| - | 14356905/0 | 1 | ETICHETTA | LABEL | ETIQUETTE | ETIKETTE | (TECUMSEH) |



2

02D_042



02T_042

| Pos. | Code | Q.ty | Descrizione | Description | Description | Beschreibung | Remarks |
|------|------------|------|-----------------------------|---------------------------|-------------------------|-------------------------|---------|
| 251 | 22110262/0 | 2 | COPRIMOZZO BIANCO | HUB CAP WHITE | COUVRE-MOYEU BLANC | RADKAPPE WEISSE | |
| - | 22110263/0 | 2 | COPRIMOZZO GIALLO | HUB CAP YELLOW | COUVRE-MOYEU JAUNE | RADKAPPE GELBE | |
| - | 22110264/0 | 2 | COPRIMOZZO ROSSO | HUB CAP RED | COUVRE-MOYEU ROUGE | RADKAPPE ROTE | |
| - | 22110317/0 | 1 | COPRIMOZZO GRIGIO | HUB CAP GREY | COUVRE-MOYEU GRIS | RADKAPPE GRAU | |
| 252 | 12155000/0 | 2 | DADO | NUT | ECROU | MUTTER | |
| 253 | 12521350/0 | 2 | ROSETTA | WASHER | RONDELLE | SCHEIBE | |
| 254 | 22122200/0 | 4 | CUSCINETTO | BEARING | COUSSINET | LAGER | |
| 255 | 81007336/0 | 2 | RUOTA SCOLPITA Ø 170 | WHEEL, KNOBBLY Ø 170 | ROUE SCULPTEE Ø 170 | RAD M. STOLLENPR. Ø 170 | |
| 256 | 12530150/0 | 2 | ROSETTA ELASTICA | ELASTIC WASHER | RONDELLE ELASTIQUE | ELASTISCHE SCHEIBE | |
| 260 | 22171002/0 | 1 | DISTANZIALE | SPACER | ENTRETOISE | DISTANZRING | |
| 261 | 12735592/0 | 2 | VITE | SCREW | VIS | SCHRAUBE | |
| 262 | 22060210/0 | 1 | PROTEZIONE DX | R PROTECTION | PROTECTION D | RECHTE SCHUTZ | |
| 263 | 12154330/0 | 2 | DADO | NUT | ECROU | MUTTER | |
| 264 | 22735551/0 | 1 | SETTORE REGOLAZIONE ALTEZZA | SECTOR, HEIGHT ADJUSTMENT | SECTEUR REGLAGE HAUTEUR | SEKTOR, HÖHEVERSTELLUNG | |
| 265 | 12789000/0 | 2 | VITE | SCREW | VIS | SCHRAUBE | |
| 266 | 81005109/0 | 1 | SUPPORTO ROLLER | ROLLER SUPPORT | SUPPORT ROLLER | ROLLRHILF | |
| 267 | 12735121/0 | 2 | VITE | SCREW | VIS | SCHRAUBE | |
| 268 | 12728680/0 | 1 | VITE | SCREW | VIS | SCHRAUBE | |
| 269 | 22399805/0 | 1 | MANOPOLINA | KNOB | POIGNÉE | GRIF | |
| 270 | 22321505/0 | 1 | LEVA REGOLAZIONE ALTEZZA | LEVER, HEIGHT ADJUSTMENT | LEVIER, REGLAGE HAUTEUR | HEBEL, HÖHEVERSTELLUNG | |

**GLOBAL GARDEN PRODUCTS**

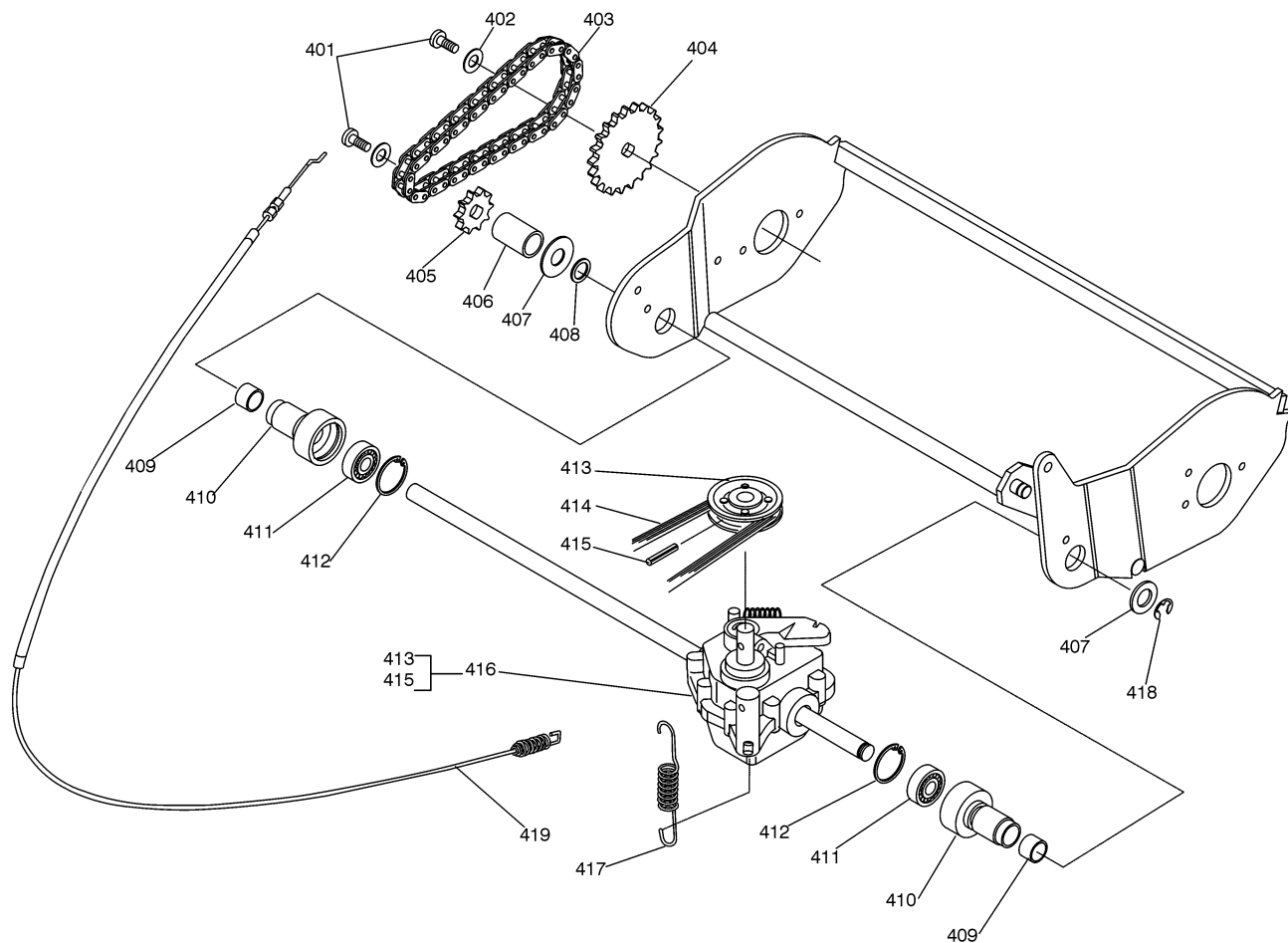
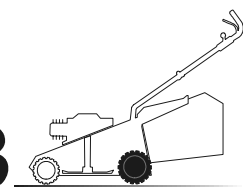
02T.042

| Pos. | Code | Q.ty | Descrizione | Description | Description | Beshreibung | Remarks |
|-------------|-------------|-------------|-----------------------------|---------------------------|-------------------------|-------------------------|----------------|
| 271 | 22060211/0 | 1 | PROTEZIONE SX | L PROTECTION | PROTECTION G | LINKE SCHUTZ | |
| 272 | 12735594/0 | 1 | VITE | SCREW | VIS | SCHRAUBE | |
| 273 | 22207325/0 | 2 | FLANGIA | SUPPORT | SUPPORT | HALTER | |
| 274 | 22671650/0 | 1 | ROSETTA | WASHER | RONDELLE | SCHEIBE | |
| 275 | 12620210/0 | 2 | SPINA ELASTICA | PIN | GOUPILLE | STIFT | |
| 276 | 19216036/0 | 2 | CUSCINETTO | BEARING | COUSSINET | LAGER | |
| 277 | 22855000/0 | 2 | TRASCINATORE | TRACTOR ROLLER | ENTRAINEUR, ROLLER | SCHLEPPER | |
| 278 | 81007401/0 | 1 | ROLLER | ROLLER | ROLLER | ROLLER | |
| 279 | 12735593/0 | 5 | VITE | SCREW | VIS | SCHRAUBE | |
| 280 | 22033361/0 | 1 | ASSE ROLLER | AXLE, ROLLER | AXE ROLLER | ACHSE, ROLLER | |
| 281 | 12521331/0 | 2 | ROSETTA | WASHER | RONDELLE | SCHEIBE | |
| 290 | 12293200/0 | 2 | DADO | NUT | ECROU | MUTTER | |
| 291 | 12583500/0 | 2 | GROWER | GROWER | GROWER | FEDERRING | |
| 292 | 12523070/0 | 2 | ROSETTA | WASHER | RONDELLE | SCHEIBE | |
| 293 | 22735547/0 | 2 | SETTORE REGOLAZIONE ALTEZZA | SECTOR, HEIGHT ADJUSTMENT | SECTEUR REGLAGE HAUTEUR | SEKTOR, HÖHEVERSTELLUNG | |
| 294 | 81005082/0 | 2 | SUPPORTO RUOTA | SUPPORT, WHEEL | SUPPORT ROUE | HALTER, RAD | |
| 295 | 81003285/1 | 2 | LEVA REGOLAZIONE ALTEZZA | LEVER, HEIGHT ADJUSTMENT | LEVIER, REGLAGE HAUTEUR | HEBEL, HÖHEVERSTELLUNG | |
| 296 | 22171001/0 | 2 | DISTANZIALE | SPACER | ENTRETOISE | DISTANZRING | |
| 297 | 12521350/0 | 2 | ROSETTA | WASHER | RONDELLE | SCHEIBE | |
| 298 | 12793701/0 | 2 | VITE | SCREW | VIS | SCHRAUBE | |



3

03D_014



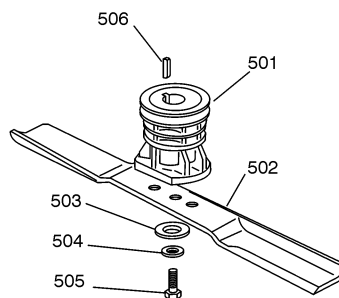
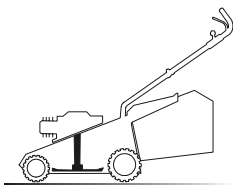
03T_014

| Pos. | Code | Q.ty | Descrizione | Description | Description | Beschreibung | Remarks |
|------|------------|------|-----------------------|-------------------|--------------------------|----------------|---------------------|
| 401 | 12735593/0 | 2 | VITE | SCREW | VIS | SCHRAUBE | |
| 402 | 12523040/0 | 2 | ROSETTA | WASHER | RONDELLE | SCHEIBE | |
| 403 | 15189003/0 | 1 | CATENA | CHAIN | CHAINE | KETTE | |
| 404 | 22120106/0 | 1 | CORONA | RING GEAR | COURONNE | KRANZ | |
| 405 | 22120107/0 | 1 | CORONA | RING GEAR | COURONNE | KRANZ | |
| 406 | 22170970/0 | 1 | DISTANZIALE | SPACER | ENTRETOISE | DISTANZRING | |
| 407 | 22672151/0 | 2 | ROSETTA | WASHER | RONDELLE | SCHEIBE | |
| 408 | 21660100/0 | 2 | RALLA | WASHER | RONDELLE | SCHEIBE | |
| 409 | 22038404/0 | 2 | BRONZINA | BRASS | COUSSINET | BUCHSE | |
| 410 | 22785126/0 | 2 | SUPPORTO | SUPPORT | SUPPORT | HALTER | |
| 411 | 19216035/0 | 2 | CUSCINETTO | BEARING | COUSSINET | LAGER | |
| 412 | 12610095/0 | 2 | ANELLO DI ARRESTO | SEEGER | SEEGER | SEEGER | |
| 413 | 22601904/0 | 1 | PULEGGIA | PULLEY | POULIE | RIEMENSCHIEBE | |
| 414 | 35063800/0 | 1 | CINGHIA Z 27 | BELT Z 27 | COURROIE Z 27 | RIEMEN Z 27 | |
| 415 | 12645705/0 | 1 | SPINA | PIN | GOUPILLE | STIFT | |
| 416 | 81003077/0 | 1 | GRUPPO TRAZIONE | GEAR BOX | GRUPPE TRACTION | ANTRIEB | (FRANCE REDUCTEURS) |
| 417 | 25430220/0 | 1 | MOLLA | SPRING | RESSORT | FEDER | |
| 418 | 22450063/0 | 1 | MOLLA | SPRING | RESSORT | FEDER | |
| 419 | 81000668/0 | 1 | CAVO COMANDO TRAZIONE | CABLE, REAR DRIVE | CABLE, COMMANDE TRACTION | KABEL, ANTRIEB | (FRANCE REDUCTEURS) |



5

05D_003

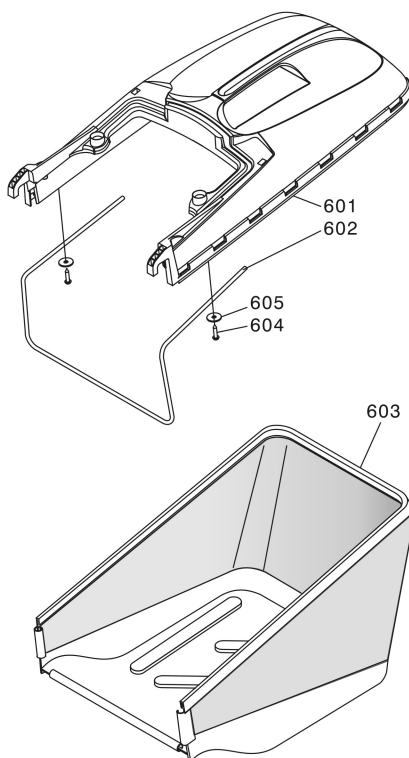
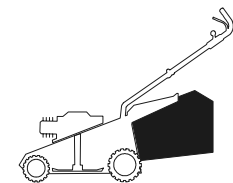


05T_028

| Pos. | Code | Q.ty | Descrizione | Description | Description | Beshreibung | Remarks |
|------|------------|------|--------------------|-----------------|--------------------|--------------------|---------|
| 501 | 22465607/0 | 1 | MOZZO CON PULEGGIA | HUB WITH PULLEY | MOYEU AVEC POULIE | NABE MIT SCHEIBE | |
| 502 | 81004346/3 | 1 | COLTELLO STANDARD | BLADE STANDARD | LAME STANDARD | MESSER STANDARD | |
| 503 | 22160400/0 | 1 | DISCO ELASTICO | ELASTIC WASHER | RONDELLE ELASTIQUE | ELASTISCHE SCHEIBE | |
| 504 | 12523080/0 | 1 | ROSETTA | WASHER | RONDELLE | SCHEIBE | |
| 505 | 12735698/0 | 1 | VITE | SCREW | VIS | SCHRAUBE | |
| 506 | 12139100/0 | 1 | LINGUETTA | FEATHER | CLAVETTE | KEIL | |

6

06D_012



06T_012

| Pos. | Code | Q.ty | Descrizione | Description | Description | Beshreibung | Remarks |
|------|------------|------|------------------|-----------------------|------------------------|--------------------|---------|
| 601 | 22486104/1 | 1 | SACCO, PARTE SUP | GRASS-BOX, UPPER PART | SAC, PARTIE SUPERIEURE | KORB, OBERTEIL | |
| 602 | 22608527/0 | 1 | RINFORZO INF | STIFFENING LOWER | RÉNFORCEMENT INF | VERSTÄRKUNG UNTERE | |
| 603 | 81002227/0 | 1 | SACCO, TELA | BOX, FABRIC | SAC, TOILE | SACK, TUCK | |
| 604 | 12728680/0 | 2 | VITE | SCREW | VIS | SCHRAUBE | |
| 605 | 12523050/0 | 2 | ROSETTA | WASHER | RONDELLE | SCHEIBE | |