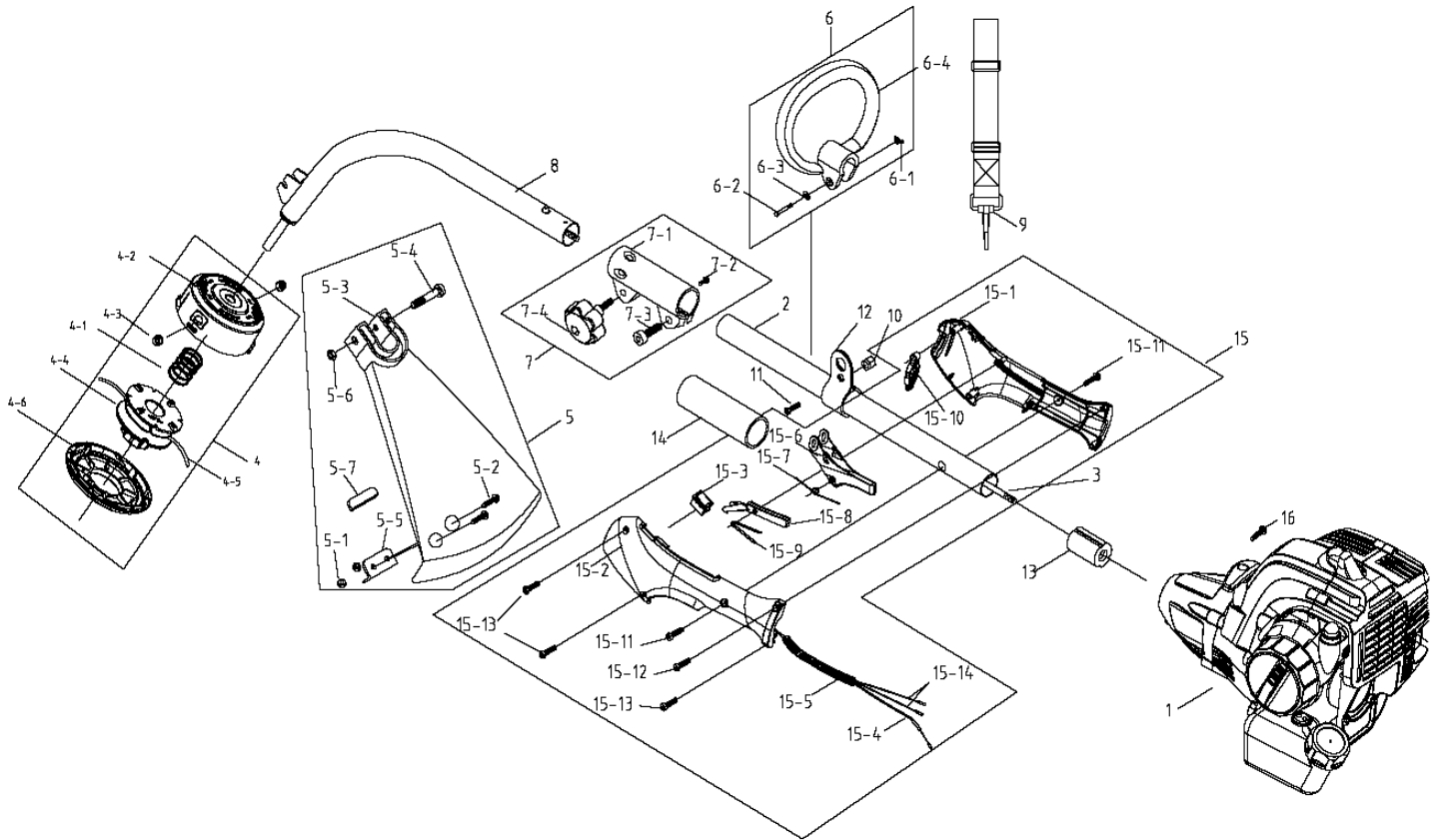


ITEM	PART NUMBER	PART DESCRITPIO?	INTERNAL CODE	QTY PER PRODUCT
1	CLVDB0853	AIR FILTER ASS'Y	TE25HA.46.00	1
1-1	CLVDB0250	HANDSPIKE	TE25HA.44.12	1
1-2	CLVDB0544	SPRING 1	TOTHYY.02.04	1
1-3	CLVDB0245	AIR FILTER LID 1	TE25HA.44.04	1
1-4	CLVDB0248	SPONGE 1	TE25HA.44.07	1
1-5	CLVDB0247	SPONGE 2	TE25HA.44.06	1
1-6	CLVDB0502	NUT	BOB1LH.05.BZ	2
1-7	CLHT2660A130	AIR FILTER SPACER	TE25HA.44.08	2
1-8	CLVDB0244	AIR FILTER LID 2	TE25HA.44.03	1
1-9	CLVDB0246	SPRING 2	TE25HA.44.05	1
1-10	CLVDB0243	AIR FILTER KNOB	TE25HA.44.02	1
1-11	CLVDB0160	SCREW 4*15	BOA2SP.40.15	1
1-12	CLVDB0242	AIR FILTER PEDESTAL	TE25HA.44.01	1
1-13	CLVDB0249	HANDSPIKE	TE25HA.44.11	1
1-14	CLVDB0251	PIN	TE25HA.44.14	1

ITEM	PART NUMBER	PART DESCRITPIO?	INTERNAL CODE	QTY PER PRODUCT
1-15	CLVDB0197	TAPPING SCREW M4*12	BOA2ZZ.04.12	4
1-16	CLVDB0519	NUT	TE25HA.44.99	2
2	CLVDB0854	CARBURETOR	TE30HA.45.01	1
3	CLVDB0413	CARBURETOR GASKET	TE25HA.40.03	1
4	CLVDB0237	CARBURETOR SEAT	TE25HA.40.02	1
5	CLVDB0195	BOLT M5*68	BOA1ZZ.05.68	2
6	CLVDB0003	BOLT M5*25	BOA4LS.05.25	2
7	CLVDB0236	INLET GASKET	TE25HA.40.01	1
8	CLVDB0260	SPARK PLUG	TE25HA.63.00	1
9	CLPBV30F131	CYLINDER	TE30HC.00.01	1
10	CLVDB0234	GASKET OF CYLINDER	TE25HA.30.02	1
11-1	CLVDB0290	PISTON RING	TE30HC.00.03	2
11-2	CLVDB0289	PISTON	TE30HC.00.02	1
11-3	CLVDB0291	PISTON PIN	TE30HC.00.04	1
11-4	CLVDB0230	PISTON PIN RETAINER	TE25HA.13.03	2
12	CLVDB0855	ROB ASS'Y	TE26HA.12.00	1
13	CLVDB0233	GASKET OF CRANK CASE	TE25HA.20.03	1
14-1	CLVDB0232	CRANK CASE	TE25HA.20.01	1
14-2	CLVDB0221	BALL BEARING 6201	BOP5SG.12.10	1
14-3	CLVDB0338	OIL SEAL TC28*12*7	WEQTMF.12.07	1
14-4	CLVDB0220	BALL BEARING 6001LLU	BOP5SG.12.08	1
14-5	CLVDB0573	CRANK SHAFT ASSEMBLY	TE25HB.11.10	1
15	CLVDB0574	BOLT M6*20	BOA4LS.06.20	3
16	CLVDB0253	EXHAUST GASKET	TE25HA.50.01	1
17	CLVDB0261	WIRE	TE25HA.64.00	1
18	CLVDB0575	WASHER 10	BOC1ZZ.8E.2C	1
19	CLVDB0576	TUBE	TE25HA.11.03	1
20	CLVDB0265	STARTER RETAINER	TE25HA.70.06	1
21	CLVDB0262	STARTER WHEEL	TE25HA.70.02	1
22	CLVDB0263	STARTER ROPE	TE25HA.70.03	1
23	CLVDB0578	SPRING ASS'Y	TE25HA.71.00	1
24	CLVDB0258	FLYWHEEL	TE25HA.61.00	1
25	CLVDB0856	COVER	TE25HA.91.06	1
26	CLVDB0184	SCREW	BOA1NL.50.25	4
27	CLVDB0580	CLUTCH DRIVER	TE25HB.11.24	1
28	CLVDB0283	NESTING	TE25HA.91.02	1
29	CLVDB0287	CLUTCH DISC	TE25HB.11.21	1
30	CLHT2660A125	STARTER HANDLE	TE33FA.74.06	1
31	CLVDB0205	COACH NUT M5	BOB1LM.05.00	2
32	CLVDB0286	CLUTCH COVER	TE25HA.93.01	1
33	CLVDB0857	BOLT M5*20	BOA2NL.50.20	2
34	CLVDB0198	BOLT M5*28	BOA2ZZ.05.28	4
35	CLVDB0284	BACK COVER	TE25HA.92.01	1
36	CLVDB0160	SCREW M4*15	BOA2SP.40.15	3
37	CLVDB0633	FUEL TANK ASS'Y	TE25HA.84.00	1
37-1	CLVDB0581	FUEL TANK	TE25HA.84.01	1
37-2	CLVDB0270	FUEL TANK CUSHION	TE25HA.80.03	3
37-3	CLVDB0272	WALLPAPER	TE25HA.81.02	1
37-4	CLVDB0319	OIL PIPE SEAT	TE33FA.81.02	1
37-5	CLVDB0539	OIL PIPE	TE25HA.80.02.01	0,14

ITEM	PART NUMBER	PART DESCRITPIO?	INTERNAL CODE	QTY PER PRODUCT
37-6	CLVDB0281	OIL FILTER 1	TE25HA.83.00	1
37-7	CLVDB0541	OIL PIPE	TE25HA.80.02.02	0,14
38	CLVDB0062	TANK COVER ASS'Y	TE33FA.81.10	1
39	CLVDB0003	BOLT M5*25	BOA4LS.05.25	2
40	CLVDB0857	BOLT M5*20	BOA2NL.50.20	4
41	CLVDB0255	EXHAUST	TE25HA.51.00	1
42	CLVDB0582	EXHAUST MANTLE	TE25HA.52.01	1
43	CLVDB0254	EXHAUST RETAINER	TE25HA.50.03	1
44	CLVDB0634	BOLT M6*52	BOA4LS.06.52	2
45	CLVDB0259	IGNITION APPARATUS	TE25HA.62.00	1
46	CLVDB0579	GASKET	TE25HB.11.23	1

Exploding drawing



ITEM	PART NUMBER	PART DESCRIPTION	INTERNAL CODE	QTY PER PRODUCT
1	CLVDB0844	ENG ASY	TE30HF.00.00	1
2	CLVDB0845	PIPE BACK ASY	EA01BC.10.01	1
3	CLVDB0650	SHAFT FLEX	EA01BC.71.00	1
4	CLVDB0384	KIT,STRING HEAD	EA01GT.60.00	1
4-1	CLVDB0847	SPRING	EA03GT.60.01	1
4-2	CLVDB0848	STRING BOX	EA03GT.61.01	1
4-3	CLVDB0388	PEG EYE	EA01GT.60.04	2
4-4	CLVDB0849	INNER SPOOL	EA03GT.60.02	1
4-5	CLVDB0151	STRING	EA01GT.60.05	1
4-6	CLVDB0850	COVER	EA03GT.60.03	1
5	CLVDB0617	COVER ASY	EA01GT.71.00	1
5-1	CLVDB0140	NUT	BOB2FQ.05.1X	2
5-2	CLVDB0500	SCREW	BOA1SP.50.12	2
5-3	CLVDB0391	COVER ASY	EA01GT.70.01	1
5-4	CLVDB0618	SCREW 6*50	EA01GT.70.07	1
5-5	CLVDB0143	KIT,KNIFT	EA01GT.70.02	1
5-6	CLVDB0619	NUT	BOB2FQ.06.1X	1
5-7	CLVDB0392	KNIFE COVER	EA01GT.70.06	1

ITEM	PART NUMBER	PART DESCRIPTION	INTERNAL CODE	QTY PER PRODUCT
6	CLVDB0373	HANDLE ASY	EA01GT.30.00	1
6-1	CLVDB0350	NUT	BOB1ZZ.06	1
6-2	CLVDB0346	SCREW	BOA4FX.06.40	1
6-3	CLVDB0353	WASHER	BOC1PM.06.02	1
6-4	CLVDB0374	HANDLE	EA01GT.30.01	1
7	CLVDB0154	CONNECT ASY	EA01GT.20.00	1
7-1	CLVDB0155	CONNECT TUBE	EA01GT.20.01	1
7-2	CLVDB0188	SCREW	BOA1SP.50.08	1
7-3	CLVDB0602	SCREW	BOA1NL.60.12	1
7-4	CLVDB0158	KNOB	EA01GT.21.00	1
8	CLVDB0851	ANGLE PIPE FRONT ASY	EA03GT.50.00	1
9	CLVDB0358	HARNESS	EA01GT.00.04	1
10	CLVDB0502	NUT	BOB1LH.05.BZ	1
11	CLVDB0615	SCREW	BOA1SP.50.08.BX	1
12	CLVDB0189	HARNESS RING	EA01GT.00.05	1
13	CLVDB0360	PRECAUTION COVER	EA01GT.00.08	1
14	CLVDB0361	TUBE COVER	EA01GT.00.13	1
15	CLVDB0603	HANDLE ASY	TE25HA.95.00	1
15-1	CLVDB0604	HOUSING HANDLE	TE25HA.95.32	1
15-2	CLVDB0605	HOUSING HANDLE	TE25HA.95.31	1
15-3	CLVDB0427	STOP SWITCH	TE25HA.94.13	1
15-4	CLVDB0606	THROTTLE CABLE	TE25HA.95.11	1
15-5	CLVDB0607	HOSE	TE25HA.94.14	1
15-6	CLVDB0608	TRIGGER	TE25HA.95.22	1
15-7	CLVDB0609	SPRING	TE25HA.95.24	1
15-8	CLVDB0610	LIBERATE SHAFT	TE25HA.95.21	1
15-9	CLVDB0611	SPRING	TE25HA.95.25	1
15-10	CLVDB0612	LIBERATE CHUNK	TE25HA.95.23	1
15-11	CLVDB0188	SCREW	BOA1SP.50.08	2
15-12	CLVDB0613	SCREW	BOA2ZZ.39.11	1
15-13	CLVDB0160	SCREW	BOA2SP.40.15	3
15-14	CLVDB0614	WIRE	TE25HA.94.12	1
16	CLVDB0852	SCREW	BOA2ZZ.05.17	1

maj080414