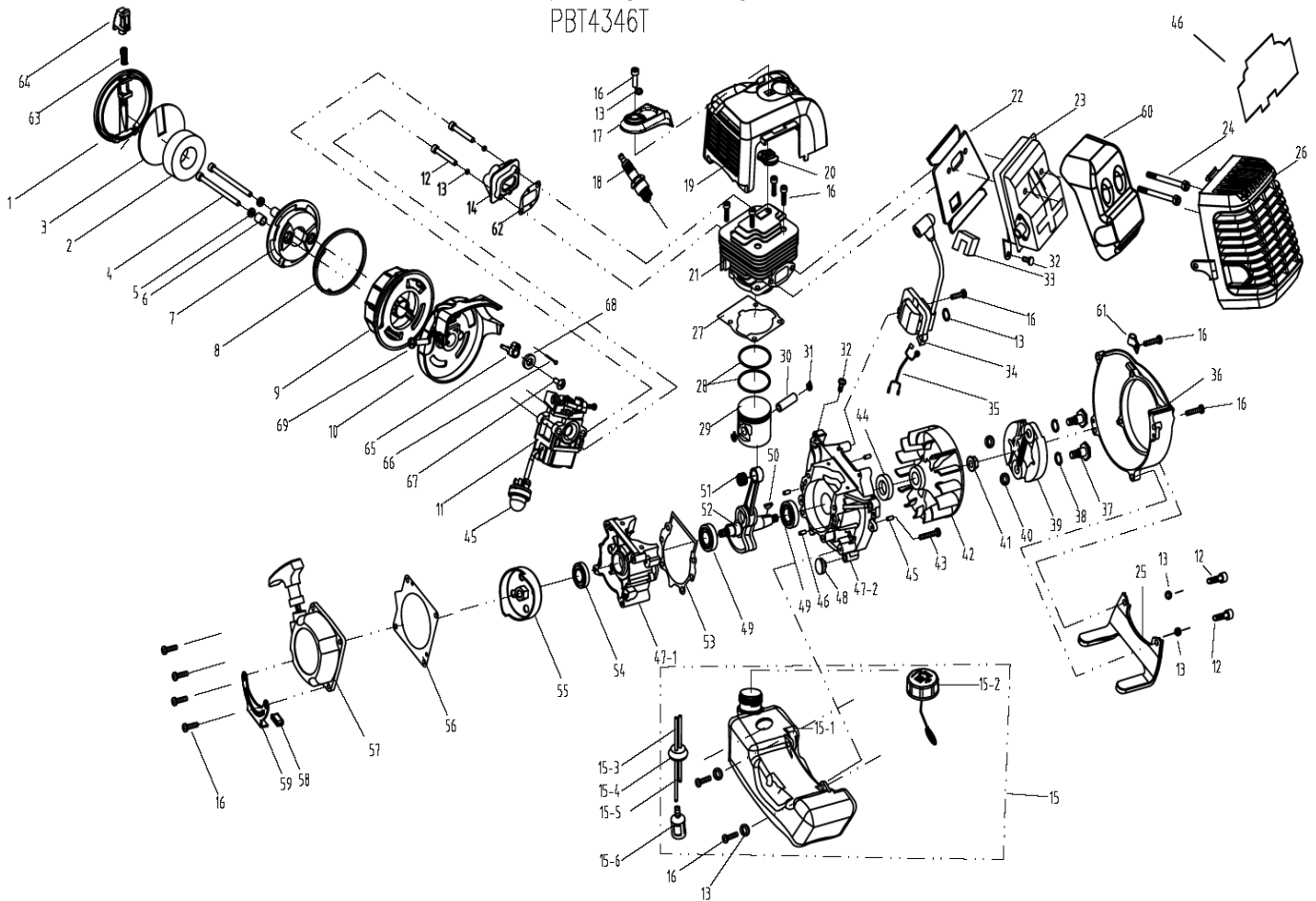
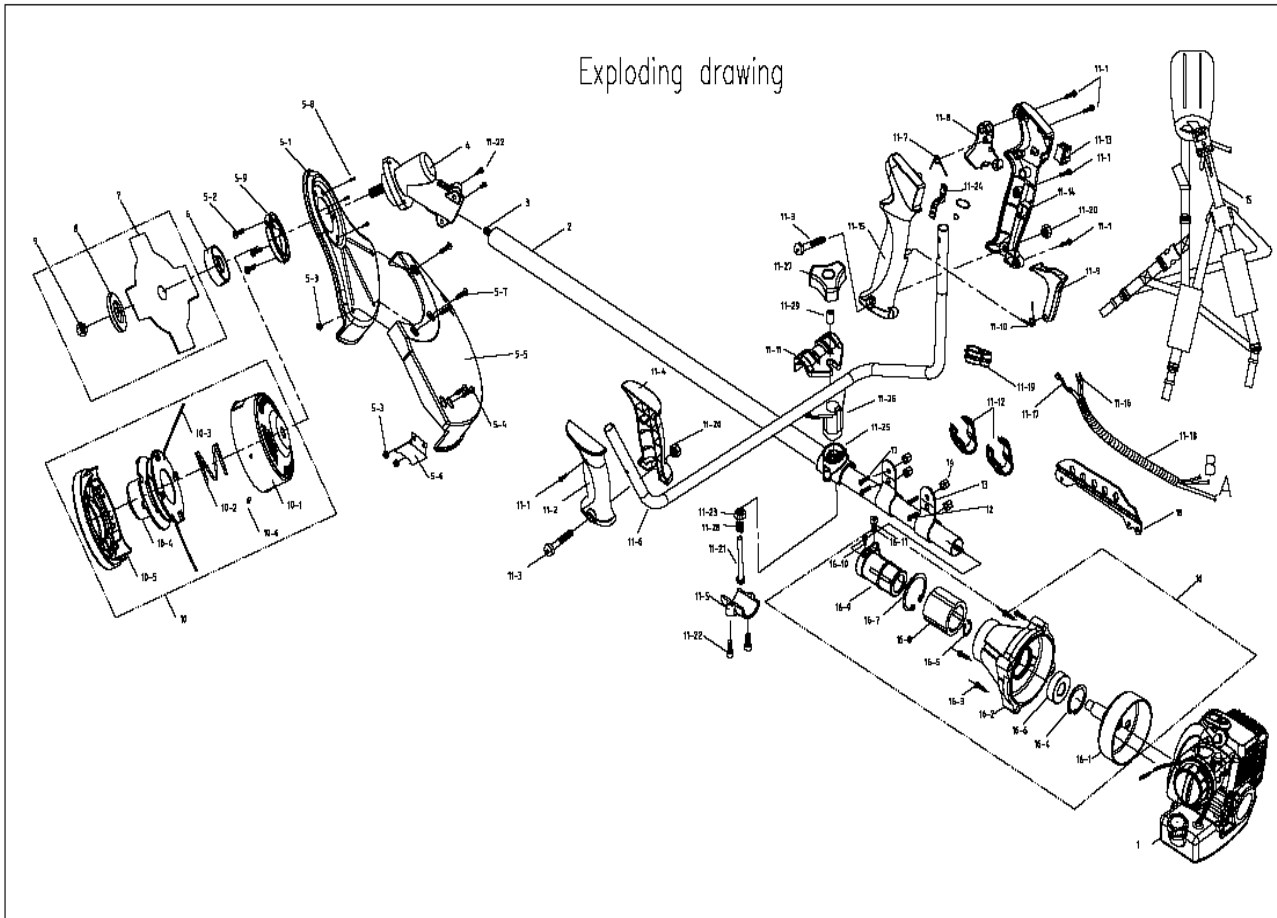


Exploding drawing
PBT4346T



ITEM	PART NUMBER	PART NUMBER	INTERNAL CODE	QTY PER PRODUCT
1	CLVDB0245	COVER OF AIR FILTER	TE25HA.44.04	1
2	CLVDB0247	SPONGE NO.1	TE25HA.44.06	1
3	CLVDB0248	SPONGE NO.2	TE25HA.44.07	1
4	CLVDB0843	BOLT M5x65	BOA4LS.05.65.129	2
5	CLVDB0519	WASHER	TE25HA.44.99	2
6	CLVDB0437	PIPE	TE34FA.44.04	1
7	CLVDB0244	COVER INSIDE OF AIR FILTER	TE25HA.44.03	1
8	CLVDB0520	SPRING	TE34FA.44.03	1
9	CLVDB0521	KNOB	TE34FA.44.02	1
10	CLVDB0436	BODY OF AIR FILTER	TE34FA.44.01	1
11	CLVDB0844	CARBURETOR.ASM	TE43FA.49.00	1
12	CLVDB0839	BOLT	BOA4LS.05.25.129	4
13	CLVDB0209	WASHER	BOC1PD.05.10	16
14	CLVDB0089	INLET PIPE	TE43FA.41.00	1
15	CLVDB0101	FUEL TANK ASS'Y	TE43FA.81.00	1
15-1	CLVDB0105	FUEL TANK	TE43FA.81.03	1
15-2	CLVDB0062	TANK COVER ASS'Y	TE33FA.81.10	1
15-3	CLVDB0539	OIL PIPE	TE25HA.80.02.01	1
15-4	CLVDB0319	WALLPAPER	TE33FA.81.02	1
15-5	CLVDB0541	OIL PIPE	TE25HA.80.02.02	1
15-6	CLVDB0281	OIL PIPE SEAT	TE25HA.83.00	1
16	CLPAE34240	CROSSHEAD SCREW M5*20	BOA4LS.05.20.129	15
17	CLVDB0562	COVER TOP	TE43FA.90.05	1

ITEM	PART NUMBER	PART NUMBER	INTERNAL CODE	QTY PER PRODUCT
18	CLVDB0260	SPARK PLUG	TE25HA.63.00	1
19	CLVDB0563	COVER	TE43FA.90.04	1
20	CLVDB0625	PLASTIC WASHER	TE43FA.90.07	1
21	CLVDB0845	CYLINDER	TE43FA.33.00	1
22	CLVDB0846	EXHAUST GASKET	TE52FA.52.15	1
23	CLVDB0627	EXHAUST	TE43FA.52.00	1
24	CLPAE34114	CROSSHEAD SCREW M6*60	BOA4LS.06.60.129	2
25	CLVDB0113	BRACKET	TE43FA.83.00	1
26	CLVDB0628	BACK COVER	TE43FA.91.01	1
27	CLVDB0780	GASKET OF CYLINDER	TE52FA.50.01	1
28	CLVDB0076	PISTON RING	TE43FA.14.01	2
29	CLVDB0629	PISTON	TE43FA.14.11	1
30	CLVDB0630	PISTON PIN	TE43FA.14.12	1
31	CLVDB0078	PISTON PIN RETAINER	TE43FA.14.03	2
32	CLHT2660A128	CROSSHEAD SCREW M5*12	BOA4LS.05.12.129	3
33	CLVDB0564	RUBBER WASHER	TE43FA.90.08	1
34	CLVDB0098	LGNITION APPARATUS	TE43FA.61.00	1
35	CLVDB0099	WIRE,ASMY	TE43FA.62.00	1
36	CLVDB0080	FLYWHEEL COVER	TE43FA.20.01	1
37	CLVDB0007	BOLT	BOA4TZ.08.12	2
38	CLVDB0208	WASHER	BOC1BD.10.14	4
39	CLVDB0296	CLUTCH DRIVER	TE33FA.13.00	1
40	CLVDB0210	WASHER	BOC1PD.08.18	2
41	CLHT2660A51	NUT M8	BOB1LM.08.09	1
42	CLVDB0075	FLYWHEEL	TE43FA.12.00	1
43	CLPAE34145	CROSSHEAD SCREW M5*30	BOA4LS.05.30.129	4
44	CLVDB0118	OIL SEAL TC30*15*7	WEQTMF.15.30	1
45	CLVDB0842	PRIMER BULBE	TE25HA.00.10	1
46	CLVDB0632	GASKET	TE43FA.90.10	1
47	CLVDB0631	CRANK CASE	TE43FA.21.00	1
48	CLVDB0100	RUBBER SEAT	TE43FA.80.01	1
49	CLVDB0847	BALL BEARING 6202	BOP5SG.15.11.01	2
50	CLVDB0749	KEY	B0J1BY.03.13	1
51	CLVDB0022	NEEDLE BEARING 10*13*16	BOR1TZ.10.16	1
52	CLVDB0848	CRANK SHAFT ASSEMBLY	TE43FA.11.00.01	1
53	CLVDB0084	GASKET OF CRANKCASE	TE43FA.21.03	1
54	CLVDB0339	OIL SEAL TC22*12*7	WEQTMF.12.22	1
55	CLVDB0433	START REEL	TE33FA.73.00	1
56	CLVDB0315	WASHER	TE33FA.70.01	1
57	CLVDB0560	STARTER	TE33FA.74.00	1
58	CLVDB0534	RUBBER SEAT	TE33FA.82.01	1
59	CLVDB0567	TANK SUPPORT	TE43FA.82.01	1
60	CLVDB0787	EXHAUST COVER	TE43FA.52.01	1
61	CLVDB0568	CLIP	TE43FA.90.09	1
62	CLVDB0849	INLET GASKET	TE43FA.40.02	1
63	CLVDB0544	SPRING	TOTHYY.02.04	1
64	CLVDB0250	HANDSPIKE	TE25HA.44.12	1
65	CLVDB0545	HANDSPIKE	TE34FA.44.05	1
66	CLVDB0546	PIN	TE34FA.44.06	1
67	CLVDB0197	BOLT	BOA2ZZ.04.12	1
68	CLVDB0751	WASHER	TE34FA.44.07	1
69	CLVDB0345	SCREW	BOA2ZZ.05.13	1



ITEM	PART NUMBER	PART NAME	INTERNAL CODE	QTY PER PRODUCT
1	NO SUPPLIED	ENG ASY	TE43FA.00	1
2	CLVDB0830	PIPE FRONT	EA20BC.20.01	1
3	CLVDB0639	SHAFT FLEX	EA20BC.22.02	1
4	CLVDB0497	HOLDER	EA20BC.30.00	1
5-1	CLVDB0594	COVER	EA01BC.40.04	1
5-2	CLVDB0753	SCREW	EA01BC.40.11	3
5-3	CLVDB0140	NUT	BOB2FQ.05.1X	2
5-4	CLVDB0340	SCREW	BOA1SP.50.15	2
5-5	CLVDB0142	COVER	EA01BC.40.02	1
5-6	CLVDB0143	KIT,KNIFT	EA01GT.70.02	1
5-7	CLVDB0598	SCREW	EA01BC.40.07	3
5-8	CLVDB0593	SCREW	BOA2SP.40.10	3
5-9	CLVDB0595	COVER	EA01BC.40.05	1
6	CLVDB0144	RING	EA01BC.00.01	1
7	CLVDB0501	BLADE BRUSH 4 TOOTH	EA50BC.00.02	1
8	CLVDB0146	FLANG SPINDLE	EA01BC.00.03	1
9	CLVDB0599	NUT	EA01BC.00.05	1
10	CLVDB0148	KIT,STRING HEAD	EA01BC.50.00	1
10-1	CLVDB0149	STRING BOX ASY	EA01BC.51.00	1
10-2	CLVDB0150	SPRING	EA01BC.50.01	1
10-3	CLVDB0510	STRING	EA01BC.00.17	1
10-4	CLVDB0152	INNER SPOOL	EA01BC.50.02	1
10-5	CLVDB0153	INNER SPOOL LID	EA01BC.50.03	1

10-6	CLVDB0511	NUT	EA01BC.51.01	2
11	CLVDB0831	HANDLE ASY	EA56.60.00	1
11-1	CLVDB0160	SCREW	BOA2SP.40.15	3
11-2	CLVDB0394	LEFT HANDLE	EA50BC.60.01	1
11-3	CLVDB0162	SCREW	BOA1SP.60.30	2
11-4	CLVDB0395	LEFT HANDLE	EA50BC.60.02	1
11-5	CLVDB0164	CLAMP	EA01BC.60.20	1
11-6	CLVDB0832	TUBE	EA51BC.60.15	1
11-7	CLVDB0397	SPRING	EA50BC.60.04	1
11-8	CLVDB0398	TRIGGER	EA50BC.60.05	1
11-9	CLVDB0399	LIBERATE SHAFT	EA50BC.60.06	1
11-10	CLVDB0400	SPRING	EA50BC.60.07	1
11-11	CLVDB0492	CLAMP	EA01BC.62.02	1
11-12	CLVDB0172	BAND PLASTIC	EA01BC.00.21	2
11-13	CLVDB0427	STOP SWITCH	TE25HA.94.13	1
11-14	CLVDB0402	RIGHT HANDLE	EA50BC.60.09	1
11-15	CLVDB0403	RIGHT HANDLE	EA50BC.60.10	1
11-16	CLVDB0833	WIRE	EA51BC.60.13	1
11-17	CLVDB0832	THROTTLE CABLE	EA51BC.60.15	1
11-18	CLVDB0835	TUBE	EA50BC.60.11	1
11-19	CLVDB0180	BAND PLASTIC	EA01BC.00.20	1
11-20	CLVDB0181	NUT	BOB1WL.06.BZ	2
11-21	CLVDB0495	SCREW	EA01BC.62.08	1
11-22	CLVDB0184	SCREW	BOA1NL.50.25	2
11-23	CLVDB0836	NUT	BOB2FQ.08.BY	1
11-24	CLVDB0406	WIRE BRACKET	EA50BC.60.14	1
11-25	CLVDB0491	CENTERPIECE	EA01BC.62.01	1
11-26	CLVDB0494	CENTERPIECE	EA01BC.62.03	1
11-27	CLVDB0493	KONB	EA01BC.62.04	1
11-28	CLVDB0168	SPRING	EA01BC.60.06	1
11-29	CLVDB0837	NUT	EA01BC.62.12	1
12	CLVDB0188	SCREW	BOA1SP.50.08	2
13	CLVDB0838	HAMESS	EA20BC.00.05	2
14	CLVDB0140	NUT	BOB2FQ.05.1X	4
15	CLVDB0191	PRECAUTION COVER	EA02BC.00.01	1
16	CLVDB0503	CLUTCH DISC ASY	EA20BC.10.00	1
16-1	CLVDB0504	CLUTCH DISC	EA20BC.10.01	1
16-2	CLVDB0122	CLUTCH COVER	EA02BC.11.02	1
16-3	CLVDB0517	SCREW	BOA4LS.06.30	4
16-4	CLVDB0505	WASHER	BOC2NH.35.BZ	1
16-5	CLVDB0125	WASHER	BOC2AZ.02.BZ	1
16-6	CLVDB0126	BEARING	BOP1SG.15.11	1
16-7	CLVDB0507	WASHER	BOC2NH.45.BZ	1
16-8	CLVDB0128	PRECAUTION COVER	EA02BC.11.03	1
16-9	CLVDB0129	RETAINER	EA02BC.11.04	1
16-10	CLVDB0156	SCREW	BOA1SP.50.10	1
16-11	CLVDB0645	SCREW	BOA1NL60.25	1
17	CLVDB0500	SCREW	BOA1SP.50.12	2
18	CLVDB0821	HAMESS RING	EA20BC.20.06	1