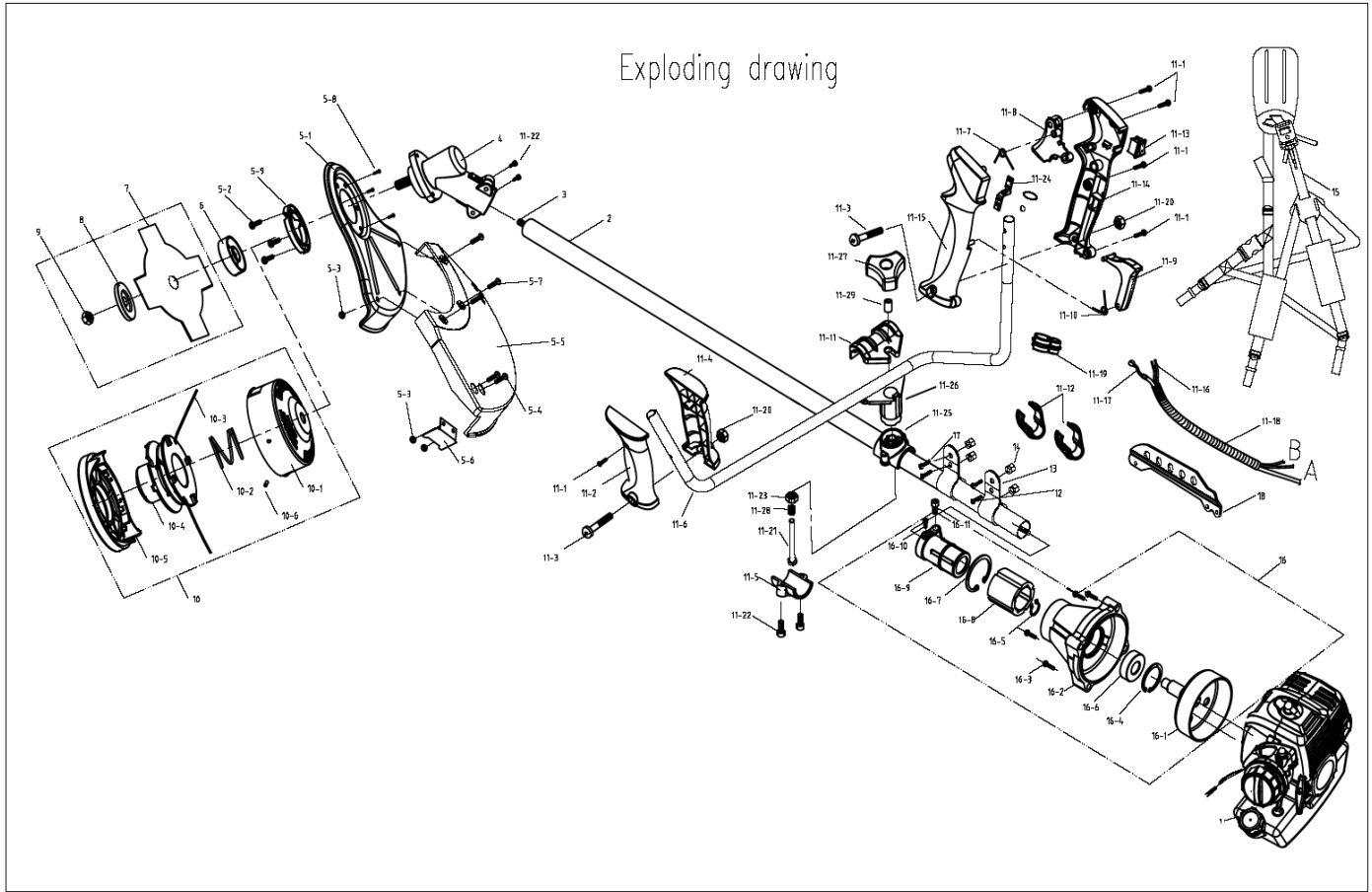


| ITEM | PART NUMBER  | PART DESCRIPTION           | INTERNAL CODE    | QTY PER PRODUCT |
|------|--------------|----------------------------|------------------|-----------------|
| 1    | CLVDB0245    | COVER OF AIR FILTER.ASM    | TE25HA.44.04     | 1               |
| 2    | CLVDB0247    | SPONGE NO.1                | TE25HA.44.06     | 1               |
| 3    | CLVDB0248    | SPONGE NO.2                | TE25HA.44.07     | 1               |
| 4    | CLVDB0764    | BOLT                       | BOA1ZZ.05.72     | 2               |
| 5    | CLVDB0502    | NUT                        | BOB1LH.05.BZ     | 2               |
| 6    | CLVDB0437    | PIPE                       | TE34FA.44.04     | 2               |
| 7    | CLVDB0244    | COVER INSIDE OF AIR FILTER | TE25HA.44.03     | 1               |
| 8    | CLVDB0520    | SPRING                     | TE34FA.44.03     | 1               |
| 9    | CLVDB0521    | KNOB                       | TE34FA.44.02     | 1               |
| 10   | CLVDB0436    | BODY OF AIR FILTER,ASM     | TE34FA.44.01     | 1               |
| 11   | CLVDB0750    | CARBURETOR.ASM             | TE33FA.45.00     | 1               |
| 12   | CLVDB0839    | BOLT                       | BOA4LS.05.25.129 | 2               |
| 13   | CLVDB0209    | WASHER                     | BOC1PD.05.10     | 16              |
| 14   | CLVDB0237    | INLET PIPE                 | TE25HA.40.02     | 1               |
| 15   | CLPAE34114   | CROSSHEAD SCREW M6*60      | BOA4LS.06.60.129 | 2               |
| 16   | CLVDB0353    | WASHER                     | BOC1PM.06.02     | 2               |
| 17   | CLVDB0526    | WASHER                     | BOC1TD.06.01     | 2               |
| 18   | CLVDB0527    | EXHAUST MANTLE             | TE34FA.50.02     | 1               |
| 19   | CLHT2660A128 | CROSSHEAD SCREW M5*12      | BOA4LS.05.12.129 | 3               |
| 20   | CLVDB0331    | EXHAUST GASKET             | TE34FA.50.01     | 1               |
| 21   | CLPAE34240   | CROSSHEAD SCREW M5*20      | BOA4LS.05.20.129 | 16              |

| ITEM | PART NUMBER | PART DESCRIPTION       | INTERNAL CODE    | QTY PER PRODUCT |
|------|-------------|------------------------|------------------|-----------------|
| 22   | CLVDB0260   | SPARK PLUG             | TE25HA.63.00     | 1               |
| 23   | CLVDB0529   | PLASTIC WASHER         | TE34FA.92.03     | 1               |
| 24   | CLVDB0330   | CYLINDER               | TE34FA.30.01     | 1               |
| 25   | CLVDB0290   | PISTON RING            | TE30HC.00.03     | 2               |
| 26   | CLVDB0530   | PISTON                 | TE34FA.14.10     | 1               |
| 27   | CLVDB0305   | GASKET OF CYLINDER     | TE33FA.30.02     | 1               |
| 28   | CLVDB0531   | NEEDLE BEARING 9*12*10 | BOR1TZ.09.10     | 1               |
| 29   | CLVDB0299   | PISTON PIN RETAINER    | TE33FA.14.03     | 2               |
| 30   | CLVDB0298   | PISTON PIN             | TE33FA.14.02     | 1               |
| 31   | CLVDB0160   | SCREW 4*15             | BOA2SP.40.15     | 3               |
| 32   | CLVDB0840   | BACK COVER             | TE34FA.92.05     | 1               |
| 33   | CLPAE34132  | TANK SUPPORT           | TE34FA.82.01     | 1               |
| 34   | CLVDB0560   | STARTER                | TE33FA.74.00     | 1               |
| 35   | CLVDB0315   | WASHER                 | TE33FA.70.01     | 1               |
| 36   | CLVDB0433   | START REEL             | TE33FA.73.00     | 1               |
| 37   | CLVDB0533   | CRANK CASE             | TE33FA.21.00     | 1               |
| 38   | CLVDB0534   | RUBBER SEAT            | TE33FA.82.01     | 1               |
| 39   | CLVDB0339   | OIL SEAL TC22*12*7     | WEQTMF.12.22     | 2               |
| 40   | CLVDB0221   | BALL BEARING 6201      | BOP5SG.12.10     | 2               |
| 41   | CLVDB0294   | CRANK SHAFT ASSEMBLY   | TE33FA.11.00     | 1               |
| 42   | CLVDB0749   | KEY                    | BOJ1BY.03.13     | 1               |
| 43   | CLVDB0314   | WIRE,ASMY              | TE33FA.62.00     | 1               |
| 44   | CLVDB0304   | GASKET OF CRANKCASE    | TE33FA.21.03     | 1               |
| 45   | CLVDB0313   | IGNITION APPARATUS     | TE33FA.61.00     | 1               |
| 46   | CLPAE34145  | CROSSHEAD SCREW M5*30  | BOA4LS.05.30.129 | 4               |
| 47   | CLVDB0328   | BRACKET                | TE33FA.83.00     | 1               |
| 48   | CLVDB0295   | FLYWHEEL               | TE33FA.12.00     | 1               |
| 49   | CLHT2660A51 | NUT M8                 | BOB1LM.08.09     | 1               |
| 50   | CLVDB0301   | WIND BOARD             | TE33FA.20.02     | 1               |
| 51   | CLVDB0300   | FLYWHEEL COVER         | TE33FA.20.01     | 1               |
| 52   | CLVDB0210   | WASHER                 | BOC1PD.08.18     | 2               |
| 53   | CLVDB0296   | CLUTCH DRIVER          | TE33FA.13.00     | 1               |
| 54   | CLVDB0208   | WASHER                 | BOC1BD.10.14     | 4               |
| 55   | CLVDB0007   | BOLT                   | BOA4TZ.08.12     | 2               |
| 56   | CLVDB0335   | COVER                  | TE34FA.91.01     | 1               |
| 57   | CLVDB0057   | RUBBER SEAT            | TE33FA.80.01     | 2               |
| 58   | CLVDB0537   | FUEL TANK ASS'Y        | TE33FA.81.00     | 1               |
| 58-1 | CLVDB0061   | FUEL TANK              | TE33FA.81.03     | 1               |
| 58-2 | CLVDB0541   | OIL PIPE               | TE25HA.80.02.02  | 1               |
| 58-3 | CLVDB0319   | WALLPAPER              | TE33FA.81.02     | 1               |
| 58-4 | CLVDB0281   | OIL PIPE SEAT          | TE25HA.83.00     | 1               |
| 58-5 | CLVDB0062   | TANK COVER ASS'Y       | TE33FA.81.10     | 1               |
| 58-6 | CLVDB0539   | OIL PIPE               | TE25HA.80.02.01  | 1               |
| 59   | CLVDB0542   | EXHAUST                | TE34FA.51.00.02  | 1               |
| 60   | CLVDB0841   | INLET GASKET           | TE34FA.40.01     | 1               |
| 61   | CLVDB0544   | SPRING                 | TOTHYY.02.04     | 1               |
| 62   | CLVDB0250   | HANDSPIKE              | TE25HA.44.12     | 1               |
| 63   | CLVDB0545   | HANDSPIKE              | TE34FA.44.05     | 1               |
| 64   | CLVDB0546   | PIN                    | TE34FA.44.06     | 1               |
| 65   | CLVDB0197   | BOLT                   | BOA2ZZ.04.12     | 1               |
| 66   | CLVDB0842   | PRIMER BULBE           | TE25HA.00.10     | 1               |
| 67   | CLVDB0751   | WASHER                 | TE34FA.44.07     | 1               |



| ITEM | PART NUMBER | PART NAME           | INTERNAL NUMBER | QTY PER PRODUCT |
|------|-------------|---------------------|-----------------|-----------------|
| 1    | NO SUPPLIED | ENG ASY             | TE34FA.00       | 1               |
| 2    | CLVDB0830   | PIPE FRONT          | EA20BC.20.01    | 1               |
| 3    | CLVDB0639   | SHAFT FLEX          | EA20BC.22.02    | 1               |
| 4    | CLVDB0497   | HOLDER              | EA20BC.30.00    | 1               |
| 5-1  | CLVDB0594   | COVER               | EA01BC.40.04    | 1               |
| 5-2  | CLVDB0753   | SCREW               | EA01BC.40.11    | 3               |
| 5-3  | CLVDB0140   | NUT                 | BOB2FQ.05.1X    | 2               |
| 5-4  | CLVDB0340   | SCREW               | BOA1SP.50.15    | 2               |
| 5-5  | CLVDB0142   | COVER               | EA01BC.40.02    | 1               |
| 5-6  | CLVDB0143   | KIT,KNIFT           | EA01GT.70.02    | 1               |
| 5-7  | CLVDB0598   | SCREW               | EA01BC.40.07    | 3               |
| 5-8  | CLVDB0593   | SCREW               | BOA2SP.40.10    | 3               |
| 5-9  | CLVDB0595   | COVER               | EA01BC.40.05    | 1               |
| 6    | CLVDB0144   | RING                | EA01BC.00.01    | 1               |
| 7    | CLVDB0501   | BLADE BRUSH 4 TOOTH | EA50BC.00.02    | 1               |
| 8    | CLVDB0146   | FLANG SPINDLE       | EA01BC.00.03    | 1               |
| 9    | CLVDB0599   | NUT                 | EA01BC.00.05    | 1               |
| 10   | CLVDB0148   | KIT,STRING HEAD     | EA01BC.50.00    | 1               |
| 10-1 | CLVDB0149   | STRING BOX ASY      | EA01BC.51.00    | 1               |
| 10-2 | CLVDB0150   | SPRING              | EA01BC.50.01    | 1               |
| 10-3 | CLVDB0510   | STRING              | EA01BC.00.17    | 1               |
| 10-4 | CLVDB0152   | INNER SPOOL         | EA01BC.50.02    | 1               |
| 10-5 | CLVDB0153   | INNER SPOOL LID     | EA01BC.50.03    | 1               |
| 10-6 | CLVDB0511   | NUT                 | EA01BC.51.01    | 2               |
| 11   | CLVDB0831   | HANDLE ASY          | EA56.60.00      | 1               |
| 11-1 | CLVDB0160   | SCREW               | BOA2SP.40.15    | 3               |
| 11-2 | CLVDB0394   | LEFT HANDLE         | EA50BC.60.01    | 1               |

| ITEM  | PART NUMBER | PART NAME        | INTERNAL NUMBER | QTY PER PRODUCT |
|-------|-------------|------------------|-----------------|-----------------|
| 11-3  | CLVDB0162   | SCREW            | BOA1SP.60.30    | 2               |
| 11-4  | CLVDB0395   | LEFT HANDLE      | EA50BC.60.02    | 1               |
| 11-5  | CLVDB0164   | CLAMP            | EA01BC.60.20    | 1               |
| 11-6  | CLVDB0832   | TUBE             | EA51BC.60.15    | 1               |
| 11-7  | CLVDB0397   | SPRING           | EA50BC.60.04    | 1               |
| 11-8  | CLVDB0398   | TRIGGER          | EA50BC.60.05    | 1               |
| 11-9  | CLVDB0399   | LIBERATE SHAFT   | EA50BC.60.06    | 1               |
| 11-10 | CLVDB0400   | SPRING           | EA50BC.60.07    | 1               |
| 11-11 | CLVDB0492   | CLAMP            | EA01BC.62.02    | 1               |
| 11-12 | CLVDB0172   | BAND PLASTIC     | EA01BC.00.21    | 2               |
| 11-13 | CLVDB0427   | STOP SWITCH      | TE25HA.94.13    | 1               |
| 11-14 | CLVDB0402   | RIGHT HANDLE     | EA50BC.60.09    | 1               |
| 11-15 | CLVDB0403   | RIGHT HANDLE     | EA50BC.60.10    | 1               |
| 11-16 | CLVDB0833   | WIRE             | EA51BC.60.13    | 1               |
| 11-17 | CLVDB0832   | THROTTLE CABLE   | EA51BC.60.15    | 1               |
| 11-18 | CLVDB0835   | TUBE             | EA50BC.60.11    | 1               |
| 11-19 | CLVDB0180   | BAND PLASTIC     | EA01BC.00.20    | 1               |
| 11-20 | CLVDB0181   | NUT              | BOB1WL.06.BZ    | 2               |
| 11-21 | CLVDB0495   | SCREW            | EA01BC.62.08    | 1               |
| 11-22 | CLVDB0184   | SCREW            | BOA1NL.50.25    | 2               |
| 11-23 | CLVDB0836   | NUT              | BOB2FQ.08.BY    | 1               |
| 11-24 | CLVDB0406   | WIRE BRACKET     | EA50BC.60.14    | 1               |
| 11-25 | CLVDB0491   | CENTERPIECE      | EA01BC.62.01    | 1               |
| 11-26 | CLVDB0494   | CENTERPIECE      | EA01BC.62.03    | 1               |
| 11-27 | CLVDB0493   | KONB             | EA01BC.62.04    | 1               |
| 11-28 | CLVDB0168   | SPRING           | EA01BC.60.06    | 1               |
| 11-29 | CLVDB0837   | NUT              | EA01BC.62.12    | 1               |
| 12    | CLVDB0188   | SCREW            | BOA1SP.50.08    | 2               |
| 13    | CLVDB0838   | HAMESS           | EA20BC.00.05    | 2               |
| 14    | CLVDB0140   | NUT              | BOB2FQ.05.1X    | 4               |
| 15    | CLVDB0191   | PRECAUTION COVER | EA02BC.00.01    | 1               |
| 16    | CLVDB0503   | CLUTCH DISC ASY  | EA20BC.10.00    | 1               |
| 16-1  | CLVDB0504   | CLUTCH DISC      | EA20BC.10.01    | 1               |
| 16-2  | CLVDB0122   | CLUTCH COVER     | EA02BC.11.02    | 1               |
| 16-3  | CLVDB0517   | SCREW            | BOA4LS.06.30    | 4               |
| 16-4  | CLVDB0505   | WASHER           | BOC2NH.35.BZ    | 1               |
| 16-5  | CLVDB0125   | WASHER           | BOC2AZ.02.BZ    | 1               |
| 16-6  | CLVDB0126   | BEARING          | BOP1SG.15.11    | 1               |
| 16-7  | CLVDB0507   | WASHER           | BOC2NH.45.BZ    | 1               |
| 16-8  | CLVDB0128   | PRECAUTION COVER | EA02BC.11.03    | 1               |
| 16-9  | CLVDB0129   | RETAINER         | EA02BC.11.04    | 1               |
| 16-10 | CLVDB0156   | SCREW            | BOA1SP.50.10    | 1               |
| 16-11 | CLVDB0645   | SCREW            | BOA1NL60.25     | 1               |
| 17    | CLVDB0500   | SCREW            | BOA1SP.50.12    | 2               |
| 18    | CLVDB0821   | HAMESS RING      | EA20BC.20.06    | 1               |