

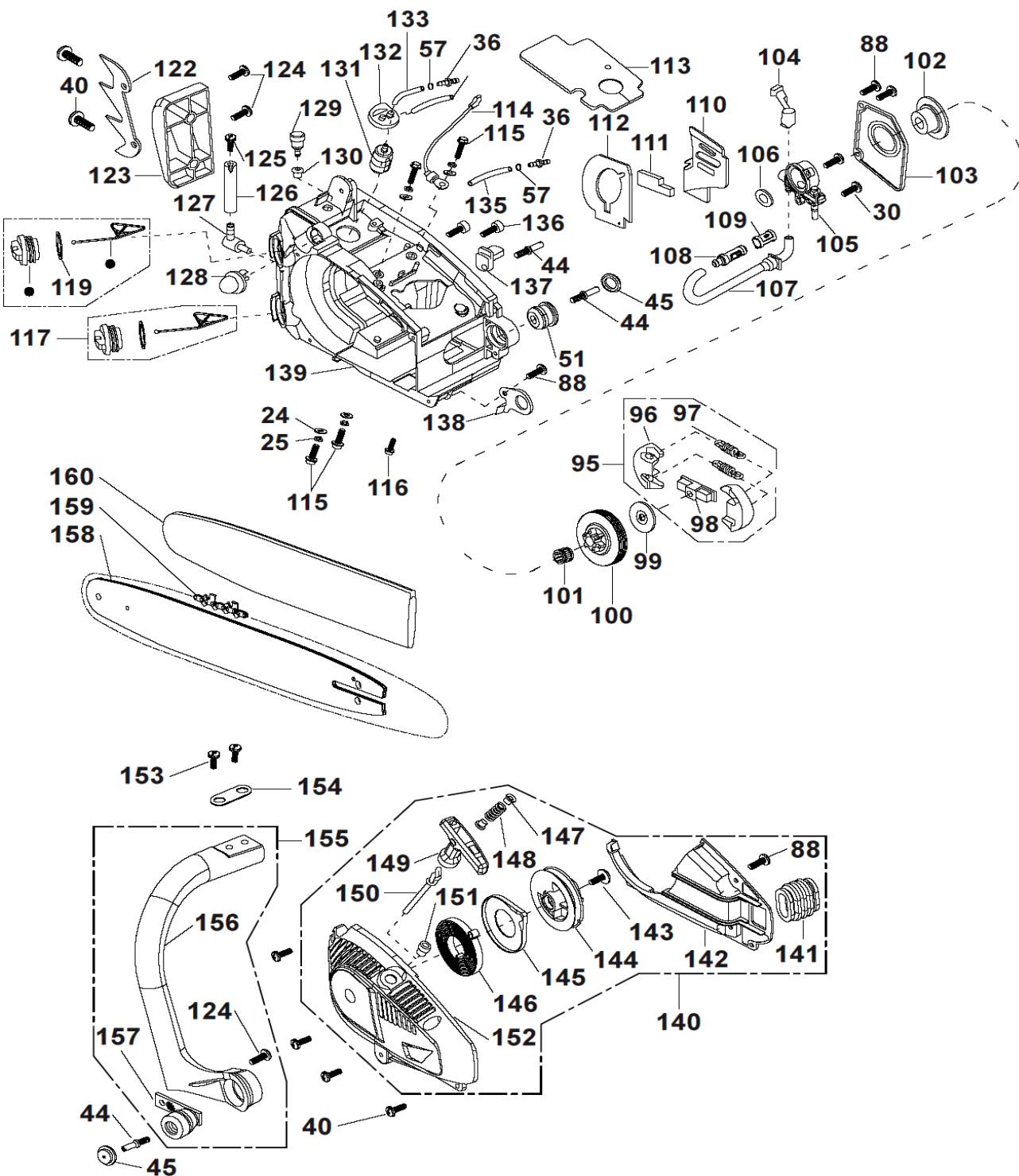
Item	Part number	Part description	Internal code	Qty per product
2	SGTR2554	cover	YD25.01.01.00-1	1
3	SGTR2584	crankshaft	YD25.01.03.02-00	1
4	SGTR25245	6001 BEARING-BALL	GB/T276/6001	2
5	SGTR2546	BIG SEAL OIL 12×28×6	YD25.01.03.03-00	1

Item	Part number	Part description	Internal code	Qty per product
6	SGTR2549	RING SNAP	YD25.01.03.00-3	2
7	SGTR2550	BEARING-NEEDLE	YD25.01.03.05-00	1
8	SGTR25226	RING SNAP	YD36.01.03.00-4	2
9	SGTR2584	PISTION	YD25.01.03.02-00	1
10	SGTR2586	RING-PISTION	YD25.01.03.00-1	1
11	SGTR2589	cylinder	YD25.01.01.01-00	1
12	SGTR2562	pad electric ignition	YD25.01.00.00-2	2
13	SGTR2563	wire switch	YD25.01.11.02-00	1
14	SGTR95009B	SCREW	GB/T6191	2
15	SG1039490	washer	1039490	2
16	SG2082377	washer	GB/T97.1/D4	2
17	SGTR2561	ELECTRON IGNITION ASSY	YD25.01.11.01-00	1
18	SGTR2587	angle tube	YD25.01.01.02-00	1
19	SGTR2585	PIN-PISTION	YD25.01.03.00-2	1
20	SGTR4504	WOODRUFF KEY 3	GB/T1099	1
21	SGTR2548	SMALL SEAL OIL 12×22×4.5	YD25.01.03.04-00	1
22	SGTR95086B	NUT M8x1	GB/T6177.2	1
23	SGTR2555	flywheel	YD25.01.10.00-00	1
24	SG2047080	washer	2047080	10
25	SG1040600	washer	1040600	10
26	SGTR95009B	SCREW	GB/T6191	4
27	SGTR4585	SPARK PLUG	YD45.01.11.04-00	1
28	SG2081733	gasket	2081733	1
29	SGTR2590	boot intake	YD25.01.00.01-00	1
30	SG2081693	screw	GB/T9074.4/M4X14	1
31	SG2082283	ring	YD25.01.00.01-01	1
32	SGTR2581	GASKET MUFFLER	YD25.01.00.00-1	1
33	SGTR2580	MUFFLER ASSY	YD25.01.09.00-00	1
34	SGTR25140	COVER-MUFFLER	YD25.01.09.00-1	1
35	SG2082328	SCREW-MUFFLER	GB/T6191	2
36	SG2056255	tie-in-hoise -oil	2056255	3
37	SGTR2516	hose	YD25.01.00.00-3	1
38	SG2056223	ring	2056223	2
39	SGTR2532	cover top	YD25.00.00-6	1
40	SG2056239	screw	2056239	9
41	SGTR25153	COVER CAP	YD25.00.00-5	1
42	SGTR25142	SWITCH STOP	YD38-3.01.11.04-00	1
43	SG2041772	COVER-HANDLE	YD25.00.00-4	1
44	SGTR2507	SCREW	YD25.00.00-15	4
45	SGTR2522	PLUG-PAD	YD25.00.00-20	3
46	SGTR25148	ROD THROTTLE	YD25.00.00-8	1
47	SGTR25150	LEVER-TRIGGER	YD25.00.00-7	1
48	SGTR2594	GROMMET-CHOKE KNOB	YD25.00.00-10	1
49	SGTR2595	CHOKE KNOB	YD25.00.00-9	1
50	SG2082372	top handleassembly	2082372	1
51	SGTR2512	PAD-RUBBER	YD25.00.02-00	2
52	SGTR25248	PIN-TRIGGER	GB/T879.2/5X28	1
53	SGTR25151	TRIGGER	YD25.00.00-22	1
54	SGTR45152	SPRING-TRIGGER	YD45.03.00-12	1
55	SG2081750	hose	2081750	1
56	SGTR2593	PIPE-CARBURATOR	YD25.00.00-23	2
57	SGTR25255	CONNECT PIPE	YD25.00.00-25	4
58	SGTR25141	handle	YD25.00.01-00	1
59	SGTR2599	COVER-AIR FILYER	YD25.01.00.00-4	1

Item	Part number	Part description	Internal code	Qty per product
60	SG2081694	SCREW	GB/T9074.4/M5X45	2
61	SG2040950	bush	2040950	1
62	SGTR2597	CHINESE CARBURATOR ASSY	YD25.01.00.00-00	1
63	SGTR2598	SUPPORT-AIR FILTER	YD25.01.08.02-00	1
64	SGTR25101	SPONGE-AIR FILTER	YD25.01.08.00-1	1
65	SGTR25195	AIR FILTER	YD25.01.08.01-00	1
66	SGTR25105	COVER-AIR FILTER	YD25.00.00-3	1
67	SG2041130	washer	2041130	1
68	SGTR45142	KNOB-AIR FILTER	YD45.05.01-00	1
69	SGTR25200	BRAKE ASSY	YD25.04.00-00	1
69	SEE 69	see 69	see 69	1
69	SEE 69	see 69	see 69	1
69	SEE 69	see 69	see 69	1
69	SEE 69	see 69	see 69	1
69	SEE 69	see 69	see 69	1
69	SEE 69	see 69	see 69	1
69	SEE 69	see 69	see 69	1
69	SEE 69	see 69	see 69	1
70	SEE 69	see 69	see 69	1
71	SEE 69	see 69	see 69	1
72	SEE 69	see 69	see 69	1
73	SEE 69	see 69	see 69	1
74	SEE 69	see 69	see 69	1
75	SEE 69	see 69	see 69	1
76	SEE 69	see 69	see 69	1
77	SGTR25209	SPROCKET-CHAINADJUSTING	YD25.04.00-7	1
78	SGTR25210	SCREW CHAINADJUSTING	YD45.04.00-26	1
79	SGTR25214	PIN	YD25.04.00-6	1
80	SGTR25211	COVER CHAIN ADJUSTING	YD25.04.00-8	1
81	SEE 69	see 69	see 69	1
82	SEE 69	see 69	see 69	1
83	SGTR25215	BAND BRAKE	YD25.04.00-3	1
84	SEE 69	see 69	see 69	3
85	SEE 69	see 69	see 69	1
86	SEE 69	see 69	see 69	1
87	SEE 69	see 69	see 69	1
88	SG2056190	screw	2056190	8
89	SEE 69	see 69	see 69	1
90	SEE 69	see 69	see 69	1
91	SEE 69	see 69	see 69	1
92	SEE 69	see 69	see 69	1
93	SEE 69	see 69	see 69	1
94	SGTR45221	NUT	GB/T6177.1	1

SG 925 CS

Type level 01



Pag.4

Item	Part number	Part description	Internal code	Qty per product
95	SGTR25129	CLUTCH ASSY	YD25.01.13.01-00	1
96	SGTR25126	SHOES CLUTCH	YD25.01.13.01-2	2
97	SGTR25128	SPRING CLUTCH	YD25.01.13.01-3	2
98	SGTR25127	SUPPORT SHOES	YD25.01.13.01-1	1
99	SGTR25125	WASHER -CLUTCH	YD25.01.13.00-2	1

Item	Part number	Part description	Internal code	Qty per product
100	SGTR25124	DRUM-CLUTCH	YD25.01.13.00-1A	1
101	SG2047182	BEARING-NEEDLE CLUTCH	2047182	1
102	SGTR25233	WORM	YD38-3.01.00-11	1
103	SGTR2529	COVER-OIL PUMP	YD25.00.00-11	1
104	SGTR2526	FUEL INJECTION NOZZLE	YD25.00.00-16	1
105	SGTR25234	OIL PUMP ASSY	YD38-3.01.15.00-00	1
106	SG2056190	WASHER -OIL PUMP	2056190	1
107	SGTR2519	OIL INLET PIPE	YD25.03.00-4	1
108	SG2082379	OIL FILTER ASSY	YD45.01.00.04-1	1
109	SG2082390	ECRAN FILTRE A HUILE	YD45.01.00.04-2	1
110	SGTR2508	PLATE COVER	YD25.00.00-12	1
111	SGTR2509	SPONGE -PLATE BAR	YD25.00.00-17	1
112	SGTR2510	SPONGE-PLUG PAD	YD25.00.00-18	1
113	SGTR2511	PAPER GASKET	YD25.00.00-19	1
114	SG2082326	WIRE-GROUND	GB/T6191/M5X18	1
115	SG2082326	SCREW	GB/T6191/M5X18	4
116	SG1040540	SCREW	1040540	1
117	SGTR25237	FUEL/OIL CAP ASSY	YD45.01.00.05-00	2
119	SGTR4561	WASHER-FUEL CAP	YD45.01.00.05-3	2
122	SGTR4511	SPIKE	YD45.01.00-21	1
123	SGTR2539	BLOCK	YD25.03.00-1	1
124	SGTR25560	SCREW	GB/T845/ST4,2X16	3
125	SG2081691	SCREW	GB/T845/4.2X14	1
126	SG2081753	HOSE	2081753	1
127	SG2082265	SUCTION JET	2082265	1
128	SGTR25559	OIL VACULOT	YD38-3.03.00A	1
129	SG2041180	BREATH NIPPLE	2041180	1
130	SGTR25241	CONNECT BALANCE	YD38-3.03.00-3	1
131	SGTR2538	FUEL FITER	YD25.03.00-00	1
132	SGTR2536	SUPPORT-HOSE OIL	YD25.03.00-2	1
133	SGTR2535	HOSE FUEL	YD25.03.00-3	1
134	SG2082391	HOSE FUEL	YD25.03.00-6	1
135	SGTR2521	OIL RETURE PIPE	YD25.03.00-5	1
136	SGTR2502	SCREW	YD25.00.00.13	2
137	SGTR2506	CHAIN CATCHER	YD25.00.00-14	1
138	SGTR2514	HOOK	YD25.00.00-21	1
139	SGTR25242	TANK CASE	YD25.03.01-00	1
140	SGTR25193	PULLEY-STARTER ASSY	YD25.02.00-00	1
141	SGTR25186	SUPPORT-INTAKE AIR	YD25.02.00-6	1
142	SGTR25187	BAFFLE FAN	YD25.02.00-1	1
143	SG2081695	SCREW	GB/T9074.19	1
144	SGTR25182	PULLEY STARTER	YD25.02.00-2	1
145	SG2082392	COVER SPRING STARTER	YD25.02.00-3	1
146	SGTR25100	SPRING STARTER	YD25.02.00-4	1
147	SG2082266	WASHER	2082266	2
148	SG2082287	SPRING	2082287	1
149	SGTR45183	STARTER HANDLE	YD45.02.00-4	1
150	SGTR25191	ROPE	YD25.02.00-5	1
151	SG2082383	ROPE JACKET	YD25.02.01-2	1
152	SG2082384	COVER STARTER	YD25.02.01-1	1
153	SG2082325	SCREW	GB/T845	2
154	SGTR25154	PLATE	YD25.00.00-2	1
155	SG2082373	HANDLE ASSEMBLY	2082373	1

Item	Part number	Part description	Internal code	Qty per product
156	SG2082386	HANDLE	YD25.00.00-1	1
157	SG2081767	PLATE	YD25A.00.02-00	1
158	SGTR25254	BAR 25CM	100SDEA041	1
159	SGTR25253	CHAIN 30cm	91PJ040X	1
160	SG2082412	BAR COVER	2082412	1

maj13042014