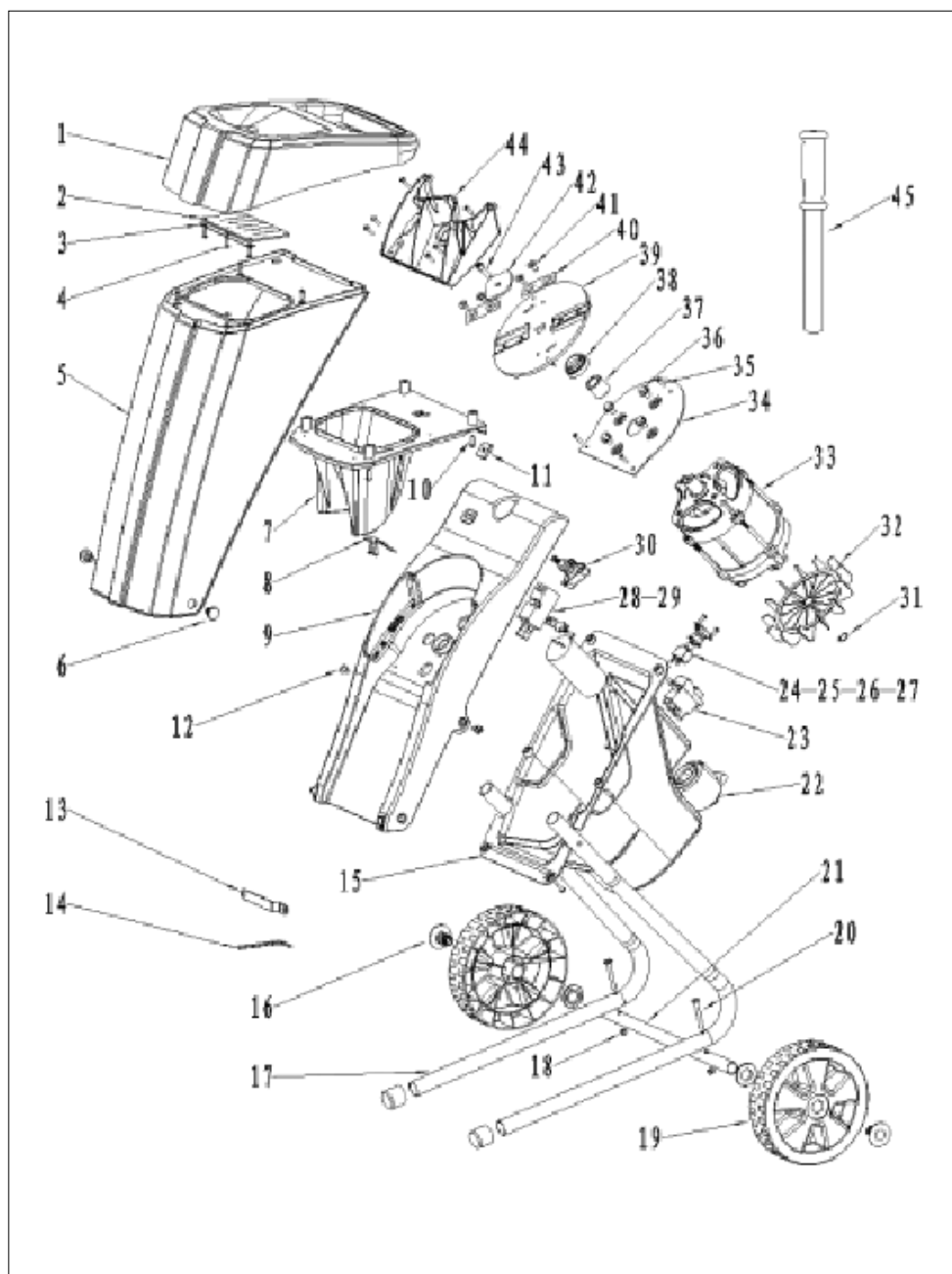


# EXPLOSION DRAWING



## PARTS LIST

<i>ITEM</i>	<i>P/N SANDRI</i>		<i>ITEM</i>	<i>P/N SANDRI</i>	
1	2057400	10.830.01	39	2057780	10.830.39
2	<b>2057410</b>	<b>10.830.02</b>	40	<b>2057790</b>	<b>10.830.40</b>
3	2057420	10.830.03	41	2057800	10.830.41
4	<b>2057430</b>	<b>10.830.04</b>	42	<b>2057810</b>	<b>10.830.42</b>
5	2057440	10.830.05	43	2057820	10.830.43
6	<b>2057450</b>	<b>10.830.06</b>	44	<b>2057830</b>	<b>10.830.44</b>
7	2057460	10.830.07	45	2057840	10.830.45
8	<b>2057470</b>	<b>10.830.08</b>			
9	2057480	10.830.09			
10	<b>2057490</b>	<b>10.830.10</b>			
11	2057500	10.830.11			
12	<b>2057510</b>	<b>10.830.12</b>			
13	2057520	10.830.13			
14	<b>2057530</b>	<b>10.830.14</b>			
15	2057540	10.830.15			
16	<b>2057550</b>	<b>10.830.16</b>			
17	2057560	10.830.17			
18	<b>2057570</b>	<b>10.830.18</b>			
19	2057580	10.830.19			
20	<b>2057590</b>	<b>10.830.20</b>			
21	2057600	10.830.21			
22	<b>2057610</b>	<b>10.830.22</b>			
23	2057620	10.830.23			
24	<b>2057630</b>	<b>10.830.24</b>			
25	2057640	10.830.25			
26	<b>2057650</b>	<b>10.830.26</b>			
27	2057660	10.830.27			
28	<b>2057670</b>	<b>10.830.28</b>			
29	2057680	10.830.29			
30	<b>2057690</b>	<b>10.830.30</b>			
31	2057700	10.830.31			
32	<b>2057710</b>	<b>10.830.32</b>			
33	2057720	10.830.33			
34	<b>2057730</b>	<b>10.830.34</b>			
35	2057740	10.830.35			
36	<b>2057750</b>	<b>10.830.36</b>			
37	2057760	10.830.37			
38	<b>2057770</b>	<b>10.830.38</b>			