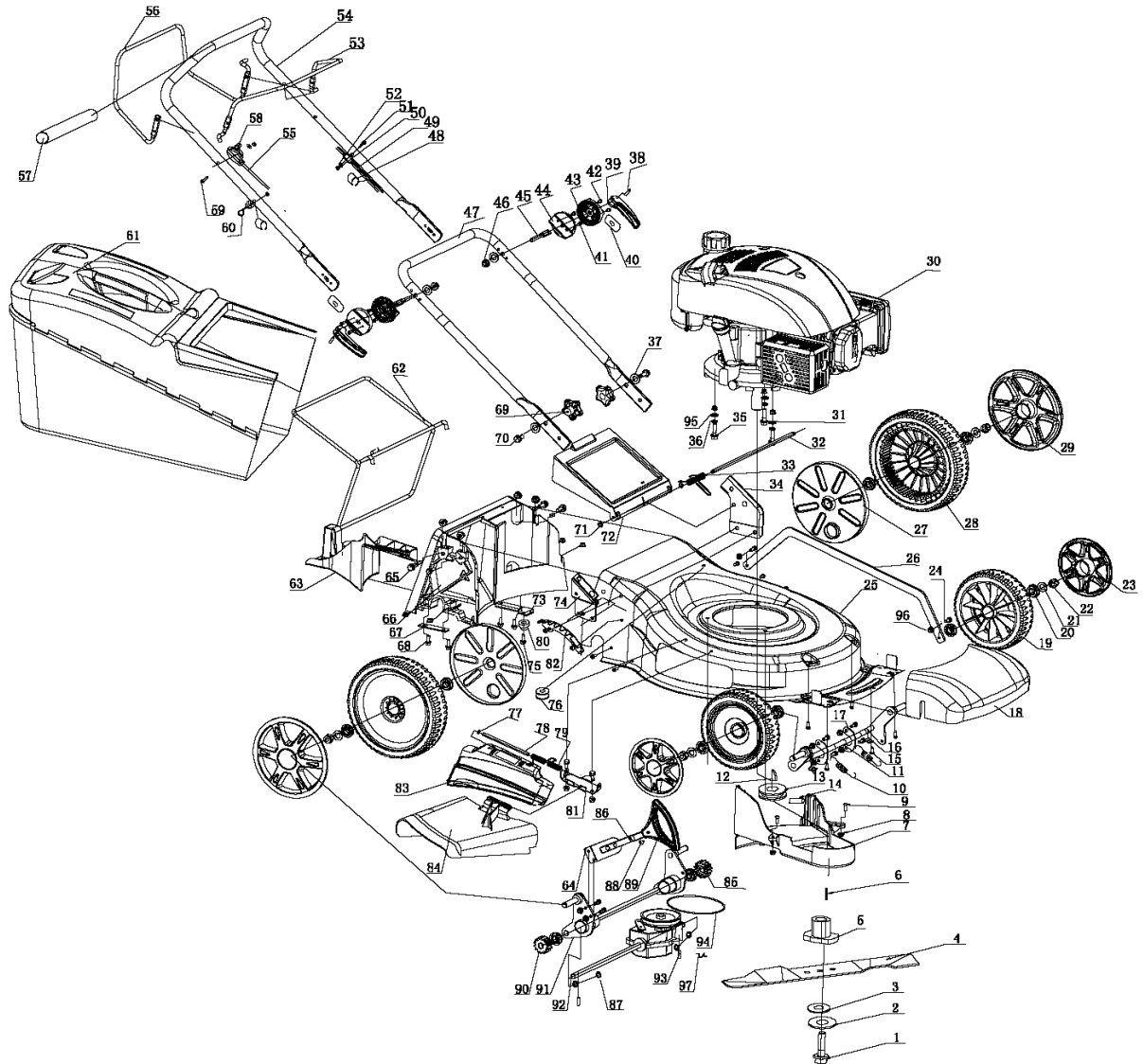




LAWNMOWER LK51R SP HW SM



ITEM	PART NUMBER	DESCRIPTION	QTY PER PRODUCT
1	JL46Z0404	Blade bolt	1
2	JL40T0301	Flat washer	1
3	JL46Z0407	Blade washer	1
4	JL50Z0401	Mulching Blade	1
5	JL50Z0403A	Blade adapter	1
6	JL46Z0408	Key4.75X5.5X35	1
7	JL50Z0405	Belt Cover	1
8	JLGB618786	Nut M6	16
9	JLGB578986M6X16	Screw M6X16	12
10	JL50Z0304	Height adjuster spring	2
11	JL50Z0210	Front Axle	1
12	JLGB1099794X16	Key 4X16	1
13	JL46Z0203	Initiative pulley	1
14	JLGB578986M6X7	Bolt M6X7	1
15	JLGB84585	Screw ST4.8X16	15
16	JL50Z0214	Holdfast	2
17	JL50Z0218	Front Axle plank	2

ITEM	PART NUMBER	DESCRIPTION	QTY PER PRODUCT
18	JL50Z0216A	Front Plastic Carter	1
19	JL50Z0205	Front wheel	2
20	JL46Z0215	Ball bearing	10
21	JLGBT9558713X20X06	Washer 13X20X0.6	4
22	JLGB618286M10	Nut M10X1.5	4
23	JL50Z0204	Front wheel cover	2
24	JL46ZC0304	fixed bolt	2
25	JL50Z0402	Deck	1
26	JL50Z0301	Cutting height rod	1
27	JL50Z0202	Inner wheel	2
28	JL50Z0201	Rear wheel	2
29	JL50Z0203	Rear wheel cover	2
30		Engine	1
31	JLGB578986M8X65	Bolt M8X65	1
32	JL50Z0501	Rear deflector pole	1
33	JL50Z0505	Rear deflector spring	1
34	JL50Z0105	Left handle support	1
35	JLGB5789868X45	Bolt M8x45	2
36	JLGBT938781X21	Washer8.1x2.1	3
37	JLGB962D9X22X2	Washer 9x22x2	2
38	JLGBT87925X18	Pin5X18	2
39	JL50Z0101	Fast adjuster handle	2
40	JL50Z0117	Square washer	2
41	JLGB8458548X16	Screw ST4.2X16	5
42	JLGB8458542X9	Screw ST4.2X9	4
43	JL50Z0103	Upper adjuster cover	2
44	JL50Z0102	Lower adjuster cover	2
45	JL50Z0116	Fast screw	5
46	JLGB618786M8	Nut M8	9
47	JL50Z0109	Inferior Handle	1
48	JL46Z0109	Clip	2
49	JL50Z0113	Brake and self-propelled cable	1
50	JLGBT92388M6	Nut M6	3
51	JL40T0102B	Bolt M6X35	1
52	JLGB9722002641215	Washer 6.4X12X1.4	3
53	JL50Z0111	Brake lever	1
54	JL50Z0108	Upper handle	1
55	JL50Z0115	Throttle control cable	1
56	JL50Z0110	Coupling lever	1
57	JL50Z0104	Handle Tube	1
58	JL46Z01111	Throttle control	1
59	JL40T0102A	Screw Guide M6X45	1
60	JL50Z0107	Rope Guide Support	1
61	JL50Z0503A	Grass box	1
62	JL50Z0504A	Frame	1
63	JL50Z0511	Mulching plug	1
64	JL50Z030211	Spring lamination	1
65	JLGB57872000	Screw M8X20	4
66	JL50Z0512	Plastic air path	1
67	JL50Z0208	Rear Axle right press plank	1

ITEM	PART NUMBER	DESCRIPTION	QTY PER PRODUCT
68	JLGB578986M6X18	Screw M6X18	4
69	JL40T0101A	NUT	2
70	JL50Z0114	Screw M8X22	2
71	JLGB89686D6	Circlip ϕ 6	2
72	JL50Z0502A	Rear deflector	1
73	JL50Z0207	Rear axle left press plank	1
74	JL50Z0106A	Right handle support	1
75	JLGB578786M6X30	Screw M6X30	1
76	JL50Z0118	cable protecting bush	1
77	JLGB89686D5	Circlip ϕ 5	1
78	JL50Z0510	Side deflector pole	1
79	JL50Z0509	Side deflector spring	1
80	JLGB617786M6	Nut M6	2
81	JL50Z0508	Side discharge support	1
82	JL50Z0305	Gear plate	1
83	JL50Z0507	Side deflector	1
84	JL50Z0506	Side air path	1
85	JL46Z0206	Left Gear Assy	1
86	JL50Z0302A	Height adjuster	1
87	JLGB8941D12	Circlip ϕ 12	4
88	JLGB81886M6X16	Screw M6X16	1
89	JL50Z0303	Cutting height lever	1
90	JL46Z0207	Right Gear Assy	1
91	JL50Z0212	Rear Axle	1
92	JL50Z0211	Gear box	1
93	JLGB11986	Transmission gear pin	2
94	JLGB1154494Z800LI	Belt V	1
95	JLGB968584X242	Washer 8.4x24x2	5
96	JLGB618286M6	Nut M6	2
97	JL50Z0217	Spring	1
		MAJ JL50Z-BSA 09/12/12	