

Genuine Spare Parts

Catalogo delle parti di ricambio
Spare parts catalogue
Catalogue des pieces de rechange
Ersatzteilkatalog

2006

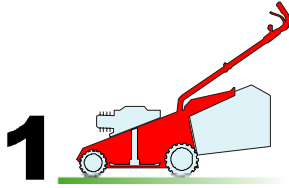
- Use GLOBAL GARDEN PRODUCT Genuine Spare Parts specified in the parts list for repair and/or replacement.
- The contents described in the parts list may change due to improvement.
- The drawings of the spare parts are only indicative and might not represent the part in question exactly.
- The indications "right" - "left" - "front" - "rear" refer to the position of the operator when using the machine.
- When placing orders of parts for repair and/or replacement, make sure that the illustrated parts list is the one applying to the machine's year of manufacture, as shown on the identification plate attached to the machine.

COPYRIGHT by GLOBAL GARDEN PRODUCTS

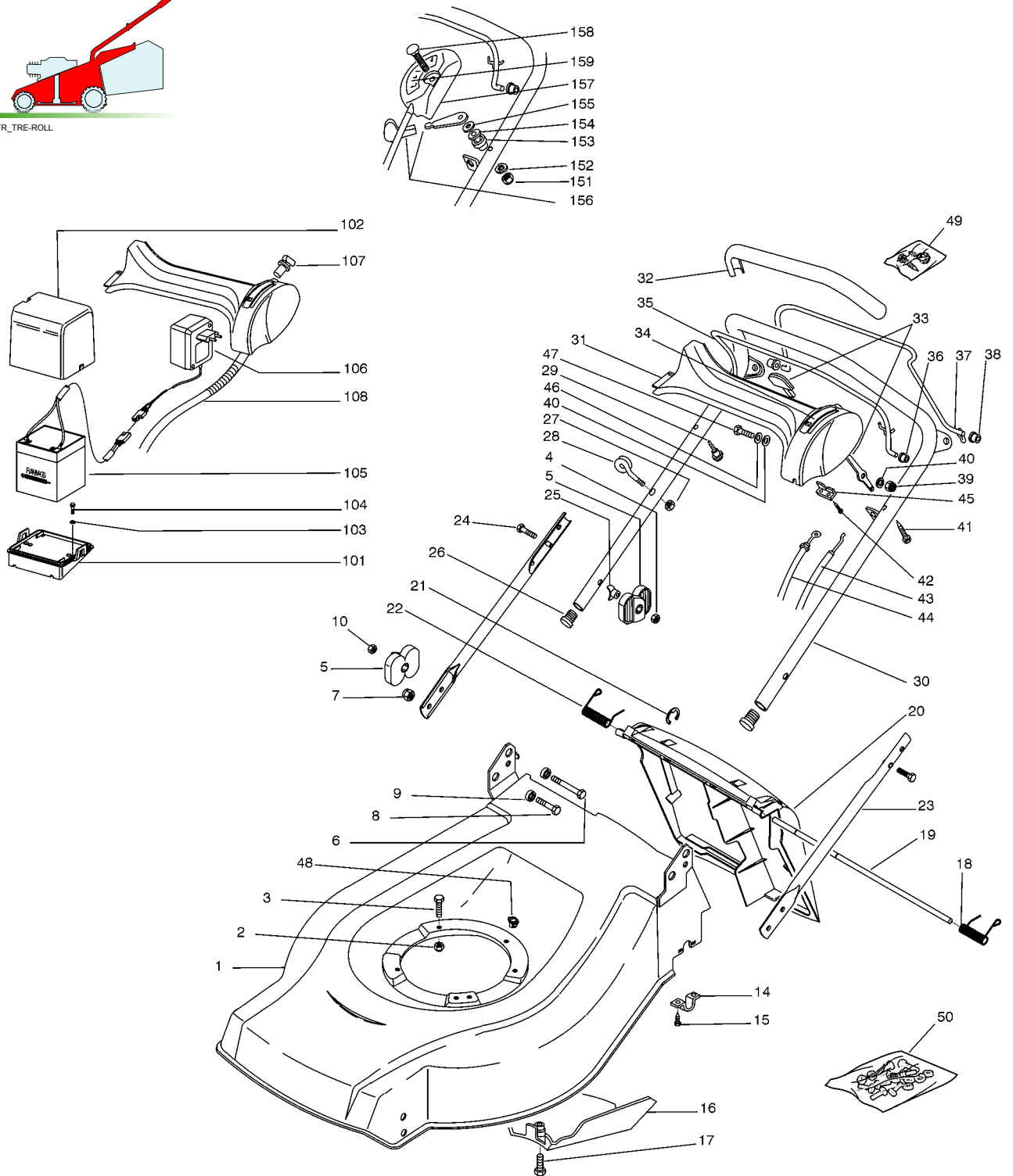
All rights reserved. No part of this material may be reproduced or transmitted, in any form or by any means, electronic or mechanical, including photocopying, recording or by any information storage and retrieval system, without permission in writing from GLOBAL GARDEN PRODUCTS.



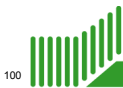
GLOBAL GARDEN PRODUCTS



01D_CA484TR_TR-E-ROLL



Pos.	Code	Q.ty	Descrizione	Description	Description	Beschreibung	Remarks
1	81002564/0	1	CHASSIS ROSSO	DECK RED	CHÂSSIS ROUGE	GEHÄUSE ROT	
2	12293201/0	3/2	DADO	NUT	ECROU	MUTTER	
-	12155000/0	0/1	DADO	NUT	ECROU	MUTTER	
3	12691800/0	0/1	VITE	SCREW	VIS	SCHRAUBE	
-	12793701/0	3/2	VITE	SCREW	VIS	SCHRAUBE	
4	12293202/0	2	DADO	NUT	ECROU	MUTTER	
5	22399803/0	4	MANOPOLINA	KNOB	POIGNÉE	GRIFF	
6	12793700/0	2	VITE	SCREW	VIS	SCHRAUBE	
7	12155000/0	2	DADO	NUT	ECROU	MUTTER	



100

CA 484 TR/TR-E ROLLER

GLOBAL GARDEN PRODUCTS

Pos.	Code	Q.ty	Descrizione	Description	Description	Beshreibung	Remarks
8	12792610/0	2	VITE	SCREW	VIS	SCHRAUBE	
9	22041955/0	4	BUSSOLA	BUSH	DOUILLE	BUCHSE	
10	12293200/0	2	DADO	NUT	ECROU	MUTTER	
14	22545154/0	2	PIASTRINA	PLATE	PLAQUETTE	PLÄTTCHEN	
15	12731350/0	4	VITE	SCREW	VIS	SCHRAUBE	
16	22060195/0	1	CARTER CINGHIA	PROTECTION, BELT	PROTECTION COURROIRE	SCHUTZ, RIEMEN	
17	12728530/0	1	VITE	SCREW	VIS	SCHRAUBE	
18	22450420/1	1	MOLLA SX	L SPRING	RESSORT G	LINKE FEDER	
19	22517906/1	1	PERNO	PIN	PIVOT	BOLZEN	
20	22600063/1	1	PARASASSI	STONE-GUARD	PARE-PIERRES	PRALLBLECH	
21	12000930/0	1	ANELLO ELASTICO	SNAP RING	ANNEAU RESSORT	SPRENGRING	
22	22450410/1	1	MOLLA DX	R SPRING	RESSORT D	RECHTE FEDER	
23	81006973/0	2	MANICO INFERIORE	HANDLE, LOWER PART	MANCHERON INFERIEURE	HOLM, UNTERTEIL	
24	12819125/0	2	VITE	SCREW	VIS	SCHRAUBE	
25	22680006/1	2	ROSETTA	WASHER	RONDELLE	SCHEIBE	
26	18566112/0	2	PUNTALE	CAP	BOUCHON	GUMMISTOPFEN	
27	12154330/0	1	DADO	NUT	ECROU	MUTTER	
28	22430309/0	1	MOLLA GUIDA	GUIDE SPRING	RESSORT DE GUIDE	FEDER FÜHRER	
29	22943006/0	1	VITE	SCREW	VIS	SCHRAUBE	
30	81006981/1	1	MANICO, PARTE SUP	HANDLE, UPPER PART	MANCHERON, PARTIE SUPERIEURE	HOLM, OBERTEIL	
31	22120174/0	1	CRUSCOTTO GIALLO	DASH BOARD YELLOW	CONSOLE JAUNE	KONSOLE GELBE	
-	22120172/0	1	CRUSCOTTO NERO	DASH BOARD BLACK	CONSOLE NOIRE	KONSOLE SCHWARZE	
-	22120173/0	1	CRUSCOTTO ROSSO	DASH BOARD RED	CONSOLE ROUGE	KONSOLE ROTE	
32	22291052/0	1	IMPUGNATURA MANICO GIALLA	HANDGRIP YELLOW	POIGNÉE JAUNE	HANDGRIFF GELBER	
-	22291050/0	1	IMPUGNATURA MANICO NERA	HANDGRIP BLACK	POIGNÉE NOIRE	HANDGRIFF SCHWARZER	
-	22291051/0	1	IMPUGNATURA MANICO ROSSA	HANDGRIP RED	POIGNÉE ROUGE	HANDGRIFF RÖTER	
33	81007280/2	1	LEVA, ACCELERATORE	LEVER, THROTTLE	LEVIER, ACCELERATEUR	HEBEL, BESHLEUNIGER	
34	14356744/0	1	ETICHETTA	LABEL	ETIQUETTE	ETIKETTE	(B&S)
-	14356743/0	1	ETICHETTA	LABEL	ETIQUETTE	ETIKETTE	(HONDA)
-	14361129/0	1	ETICHETTA	LABEL	ETIQUETTE	ETIKETTE	(SUMEC)
-	14357646/0	1	ETICHETTA	LABEL	ETIQUETTE	ETIKETTE	(TECUMSEH)
35	81003291/3	1	LEVA FRENO MOTORE	LEVER, MOTOR BRAKE	LEVIER FREIN MOTEUR	HEBEL, MOTORBREMSE	
36	22041966/0	2	BUSSOLA	BUSH	DOUILLE	BUCHSE	
37	81003288/1	1	LEVA TRAZIONE	DRIVING LEVER	LEVIER TRACTION	ANTRIEBHEBEL	
38	22041965/1	2	BUSSOLA	BUSH	DOUILLE	BUCHSE	
39	12154510/0	1	DADO	NUT	ECROU	MUTTER	
40	12523040/0	2	ROSETTA	WASHER	RONDELLE	SCHEIBE	
41	12728518/0	1	VITE	SCREW	VIS	SCHRAUBE	
42	12728460/0	1	VITE	SCREW	VIS	SCHRAUBE	
43	81007160/0	1	CAVO ACCELERATORE	CABLE, TROTTLE	CABLE, ACCELERATEUR	KABLE, BESCHLEUNIGER	
44	81000625/0	1	CAVO FRENO MOTORE	CABLE, THREAD MOTOR BRAKE	CABLE FREIN MOTEUR	KABEL, MOTORBREMSE	(B&S CLASSIC/SPRINT/LS/LC)
-	81000631/0	1	CAVO FRENO MOTORE	CABLE, THREAD MOTOR BRAKE	CABLE FREIN MOTEUR	KABEL, MOTORBREMSE	(B&S QUANTUM)
-	81000641/0	1	CAVO FRENO MOTORE	CABLE, THREAD MOTOR BRAKE	CABLE FREIN MOTEUR	KABEL, MOTORBREMSE	(HONDA GCV 135/160)
-	81000611/0	1	CAVO FRENO MOTORE	CABLE, THREAD MOTOR BRAKE	CABLE FREIN MOTEUR	KABEL, MOTORBREMSE	(SUMEC)
-	81000629/1	1	CAVO FRENO MOTORE	CABLE, THREAD MOTOR BRAKE	CABLE FREIN MOTEUR	KABEL, MOTORBREMSE	(TECUMSEH)
45	22981467/0	1	PIASTRINA	PLATE	PLAQUETTE	PLÄTTCHEN	
46	12530060/0	1	ROSETTA ELASTICA	SPRING WASHER	RONDELLE ELASTIQUE	ELASTISCHE SCHEIBE	
47	12791500/0	1	VITE	SCREW	VIS	SCHRAUBE	
48	22291150/0	1	INSERTO IN GOMMA	RUBBER INSERT	INSERT DE GAOUTCHOU	GUMMI EINSATZ	
49	81008609/0	1	DOTAZIONE VITERIA CRUSCOTTO	OUTFIT, DASH-BOARD SCREWS	DOTATION VISSERIE CONSOLLE	SATZ, KONSOLE SCHRAUBEN	
50	81008640/0	1	DOTAZIONE VITERIA	OUTFIT, SCREWS	DOTATION VISSERIE	SATZ, SCHRAUBEN	



GLOBAL GARDEN PRODUCTS

VARIANTI PER AVVIAMENTO ELETTRICO - PARTS FOR ELECTIC START - COMPOSANTS POUR DÉMARRAGE ÉLECTRIQUE - ELEKTROSTART BESTANDTEILE

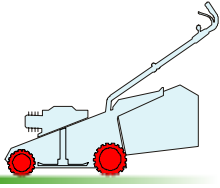
Pos.	Code	Q.ty	Descrizione	Description	Description	Beshreibung	Remarks
101	22785123/0	1	SUPPORTO BATTERIA	SUPPORT, BATTERY	SUPPORT BATTERIE	HALTER, BATTERIE	(B&S - TECUMSEH CENTURA)
-	22785122/0	1	SUPPORTO BATTERIA	SUPPORT, BATTERY	SUPPORT BATTERIE	HALTER, BATTERIE	(TECUMSEH PRISMA)
102	22109530/0	1	COPERCHIO	COVER	COUVERCLE	DECKEL	
103	12521310/0	2	ROSETTA	WASHER	RONDELLE	SCHEIBE	(B&S - TECUMSEH CENTURA)
104	12731590/0	2	VITE	SCREW	VIS	SCHRAUBE	(B&S - TECUMSEH CENTURA)
-	12728520/0	2	VITE	SCREW	VIS	SCHRAUBE	(TECUMSEH PRISMA)
105	18120052/0	1	BATTERIA	BATTERY	BATTERIE	BATTERIE	
106	18204120/0	1	CARICA BATTERIA	BATTERY CHARGER	CHARGEUR DE BATTERIE	LADGERÄT	
-	18204121/0	1	CARICA BATTERIA	BATTERY CHARGER	CHARGEUR DE BATTERIE	LADGERÄT	(UK)
107	18450050/0	1	INTERRUTTORE	SWITCH	INTERRUPTEUR	SCHALTER	
108	18204192/2	1	CAVO AVVIAMENTO	CABLE, START	CABLE DÉMARRAGE	KABEL, START	(B&S)
-	18204190/3	1	CAVO AVVIAMENTO	CABLE, START	CABLE DÉMARRAGE	KABEL, START	(TECUMSEH)

VARIANTE ACCELERATORE - THROTTLE MODIFICATION - MODIFICATION COMMANDE D'ACCELERATION - ÄNDERUNGEN AUF GASHEBEL

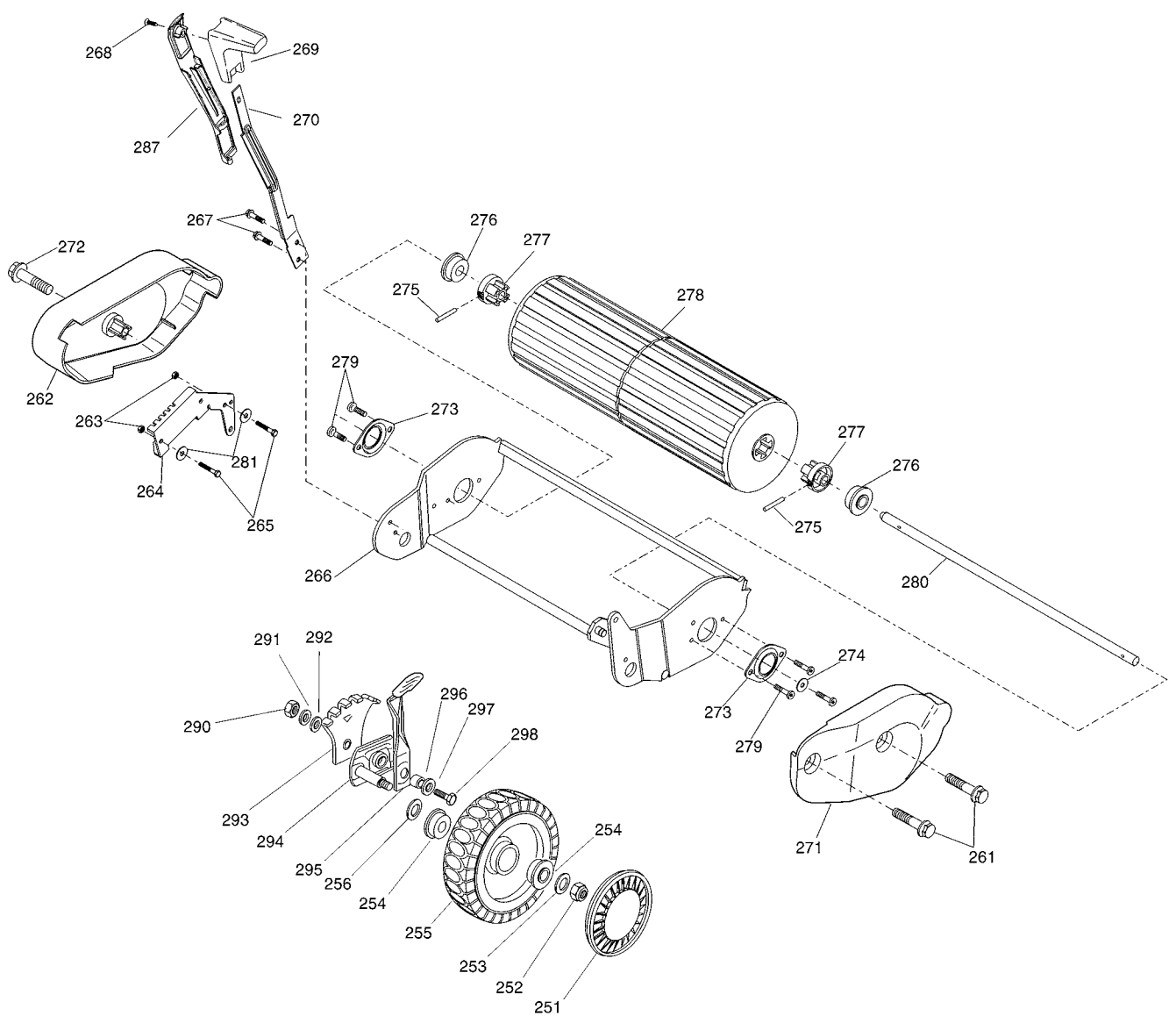
Pos.	Code	Q.ty	Descrizione	Description	Description	Beshreibung	Remarks
151	12291000/0	1	DADO	NUT	ECROU	MUTTER	
152	12581500/0	1	GROWER	GROWER	GROWER	FEDERING	
153	22171005/0	1	DISTANZIALE	SPACER	ENTRETOISE	DISTANZRING	
154	12521360/0	1	ROSETTA	WASHER	RONDELLE	SCHEIBE	
155	12508100/0	1	ROSETTA ELASTICA	SPRING WASHER	RONDELLE ELASTIQUE	ELASTISCHE SCHEIBE	
156	81007279/1	1	LEVA, ACCELERATORE	LEVER, THROTTLE	LEVIER, ACCELERATEUR	HEBEL, BESHLEUNIGER	
157	81007080/0	1	CAVO ACCELERATORE	CABLE, TROTTLE	CABLE, ACCELERATEUR	KABLE, BESCHLEUNIGER	
158	12815000/0	1	VITE	SCREW	VIS	SCHRAUBE	
159	14356703/0	1	ETICHETTA	LABEL	ETIQUETTE	ETIKETTE	(B&S)
-	14356702/0	1	ETICHETTA	LABEL	ETIQUETTE	ETIKETTE	(HONDA)
-	14360197/0	1	ETICHETTA	LABEL	ETIQUETTE	ETIKETTE	(SUMEC)
-	14356905/0	1	ETICHETTA	LABEL	ETIQUETTE	ETIKETTE	(TECUMSEH)



2



02D_044



Pos.	Code	Q.ty	Descrizione	Description	Description	Beshreibung	Remarks
251	22110282/0	2	COPRIMOZZO BIANCO	HUB CAP WHITE	COUVRE-MOYEU BLANC	RADKAPPE WEI&E	
-	22110288/0	2	COPRIMOZZO GIALLLO	HUB CAP YELLOW	COUVRE-MOYEU JAUNE	RADKAPPE GELBE	
-	22110300/0	2	COPRIMOZZO GRIGIO	HUB CAP GREY	COUVRE-MOYEU GRIS	RADKAPPE GRAU	
-	22110290/0	2	COPRIMOZZO ROSSO	HUB CAP RED	COUVRE-MOYEU ROUGE	RADKAPPE ROTE	
252	12155000/0	2	DADO	NUT	ECROU	MUTTER	
253	12521350/0	2	ROSETTA	WASHER	RONDELLE	SCHEIBE	
254	22122200/0	4	CUSCINETTO	BEARING	COUSSINET	LAGER	
255	81007336/0	2	RUOTA SCOLPITA Ø 170	WHEEL, KNOBBLY Ø 170	ROUE SCULPTEE Ø 170	RAD M. STOLLENPR. Ø 170	
256	12530150/0	2	ROSETTA ELASTICA	SPRING WASHER	RONDELLE ELASTIQUE	ELASTISCHE SCHEIBE	
261	12735592/0	2	VITE	SCREW	VIS	SCHRAUBE	
262	22060210/0	1	PROTEZIONE DX	R PROTECTION	PROTECTION D	RECHTE SCHUTZ	
263	12154330/0	2	DADO	NUT	ECROU	MUTTER	
264	22735551/0	1	SETTORE REGOLAZIONE ALTEZZA	SECTOR, HEIGHT ADJUSTMENT	SECTEUR REGLAGE HAUTEUR	SEKTOR, HÖHEVERSTELLUNG	

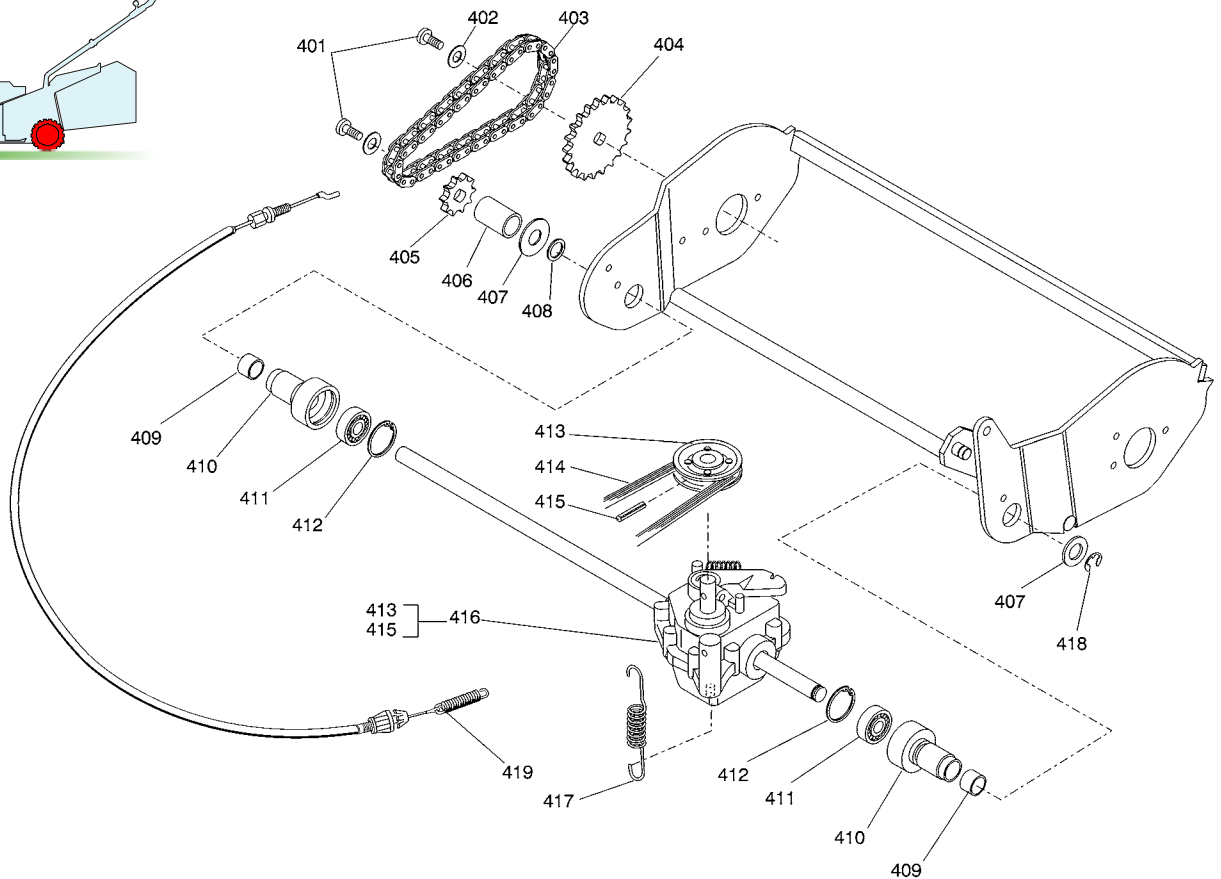
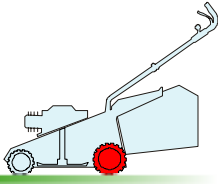


GLOBAL GARDEN PRODUCTS

Pos.	Code	Q.ty	Descrizione	Description	Description	Beshreibung	Remarks
265	12789000/0	2	VITE	SCREW	VIS	SCHRAUBE	
266	81005109/0	1	SUPPORTO ROLLER	ROLLER SUPPORT	SUPPORT ROLLER	ROLLRHILTER	
267	12735121/0	2	VITE	SCREW	VIS	SCHRAUBE	
268	12728680/0	1	VITE	SCREW	VIS	SCHRAUBE	
269	22399805/0	1	MANOPOLINA	KNOB	POIGNÉE	GRIFF	
270	22321505/0	1	LEVA REGOLAZIONE ALTEZZA	LEVER, HEIGHT ADJUSTMENT	LEVIER REGLAGE HAUTEUR	HEBEL, HÖNEVERSTELLUNG	
271	22060211/0	1	PROTEZIONE SX	L PROTECTION	PROTECTION G	LINKE SCHUTZ	
272	12735594/0	1	VITE	SCREW	VIS	SCHRAUBE	
273	22207325/0	2	FLANGIA	FLANGE	BRIDE	FLANSCH	
274	22671650/0	1	ROSETTA	WASHER	RONDELLE	SCHEIBE	
275	12620210/0	2	SPINA ELASTICA	PIN	GOUPILLE	STIFT	
276	19216036/0	2	CUSCINETTO	BEARING	COUSSINET	LAGER	
277	22855000/0	2	TRASCINATORE	TRACTOR ROLLER	ENTRAINEUR, ROLLER	SCHLEPPER	
278	81007401/0	1	ROLLER	ROLLER	ROLLER	ROLLER	
279	12735593/0	5	VITE	SCREW	VIS	SCHRAUBE	
280	22033361/0	1	ASSE ROLLER	AXLE, ROLLER	AXE ROLLER	ACHSE, ROLLER	
281	12521331/0	2	ROSETTA	WASHER	RONDELLE	SCHEIBE	
287	22109722/0	1	COPERTURA	COVER	COUVRE	KAPPE	
290	12293200/0	2	DADO	NUT	ECROU	MUTTER	
291	12583500/0	2	GROWER	GROWER	GROWER	FEDERRING	
292	12523070/0	2	ROSETTA	WASHER	RONDELLE	SCHEIBE	
293	22735547/0	2	SETTORE REGOLAZIONE ALTEZZA	SECTOR, HEIGHT ADJUSTMENT	SECTEUR REGLAGE HAUTEUR	SEKTOR, HÖHEVERSTELLUNG	
294	81005082/0	2	SUPPORTO RUOTA	SUPPORT, WHEEL	SUPPORT ROUE	HALTER, RAD	
295	81003285/1	2	LEVA REGOLAZIONE ALTEZZA	LEVER, HEIGHT ADJUSTMENT	LEVIER REGLAGE HAUTEUR	HEBEL, HÖNEVERSTELLUNG	
296	22171001/0	2	DISTANZIALE	SPACER	ENTRETOISE	DISTANZRING	
297	12521350/0	2	ROSETTA	WASHER	RONDELLE	SCHEIBE	
298	12793701/0	2	VITE	SCREW	VIS	SCHRAUBE	

3

03D_014

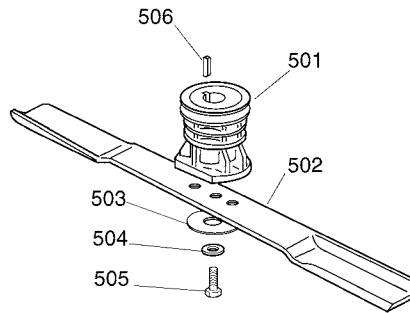
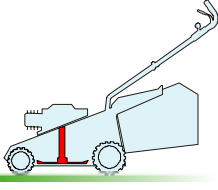


Pos.	Code	Q.ty	Descrizione	Description	Description	Beschreibung	Remarks
401	12735593/0	2	VITE	SCREW	VIS	SCHRAUBE	
402	12523040/0	2	ROSETTA	WASHER	RONDELLE	SCHEIBE	
403	15189003/0	1	CATENA	CHAIN	CHAINE	KETTE	
404	22120106/0	1	CORONA	RING GEAR	COURONNE	KRANZ	
405	22120107/0	1	CORONA	RING GEAR	COURONNE	KRANZ	
406	22170970/0	1	DISTANZIALE	SPACER	ENTRETOISE	DISTANZRING	
407	22672151/0	2	ROSETTA	WASHER	RONDELLE	SCHEIBE	
408	21660100/0	2	RALLA	WASHER	RONDELLE	SCHEIBE	
409	22038404/0	2	BRONZINA	BRASS	DOUILLE	BUCHSE	
410	22785126/0	2	SUPPORTO	SUPPORT	SUPPORT	HALTER	
411	19216035/0	2	CUSCINETTO	BEARING	COUSSINET	LAGER	
412	12610095/0	2	ANELLO DI ARRESTO	SEEGER	SEEGER	SEEGER	
413	22601904/0	1	PULEGGIA	PULLEY	POULIE	RIEMENSCHIEBE	
414	35063800/0	1	CINGHIA Z 27	BELT Z 27	COURROIE Z 27	RIEMEN Z 27	
415	12645705/0	1	SPINA	PIN	GOUPILLE	STIFT	
416	81003077/0	1	GRUPPO TRAZIONE	GEAR BOX	GROUPE TRACTION	ANTRIEB	(FRANCE REDUCTEURS)
417	25430220/0	1	MOLLA	SPRING	RESSORT	FEDER	
418	12000957/0	1	ANELLO BENZING	BENZING	ANNEAU BENZING	BENZING	
419	81000668/0	1	CAVO COMANDO TRAZIONE	CABLE, REAR DRIVE	CÂBLE, COMMANDE TRACTION	KABEL, ANTRIEB	(FRANCE REDUCTEURS)



5

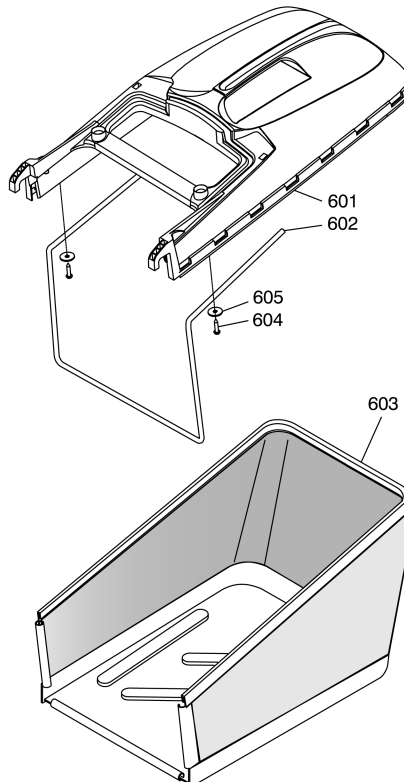
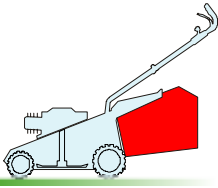
05D_003



Pos.	Code	Q.ty	Descrizione	Description	Description	Beschreibung	Remarks
501	22465607/0	1	MOZZO CON PULEGGIA	HUB WITH PULLEY	MOYEU AVEC POULIE	NABE MIT SCHEIBE	
502	81004346/3	1	COLTELLO STANDARD	BLADE STANDARD	LAME STANDARD	MESSER STANDARD	
503	22160400/0	1	DISCO ELASTICO	ELASTIC WASHER	DISQUE ELASTIQUE	FEDERSCHEIBE	
504	12523080/0	1	ROSETTA	WASHER	RONDELLE	SCHEIBE	
505	12735698/0	1	VITE	SCREW	VIS	SCHRAUBE	
506	12139100/0	1	LINGUETTA	FEATHER	CLAVETTE	KEIL	

6

06D_012



Pos.	Code	Q.ty	Descrizione	Description	Description	Beschreibung	Remarks
601	22486104/1	1	SACCO, PARTE SUP	GRASS-BOX, UPPER PART	SAC, PARTIE SUPERIEURE	KORB, OBERTEIL	
602	22608527/0	1	RINFORZO INF	STIFFENING LOWER	RÉNFORCEMENT INF	VERSTÄRKUNG UNTERE	
603	81002227/0	1	SACCO, TELA	BOX, FABRIC	SAC, TOILE	SACK, TUCK	
604	12728680/0	2	VITE	SCREW	VIS	SCHRAUBE	
605	12523050/0	2	ROSETTA	WASHER	RONDELLE	SCHEIBE	