

# Genuine Spare Parts

Catalogo delle parti di ricambio  
Spare parts catalogue  
Catalogue des pieces de rechange  
Ersatzteilkatalog

# 1999

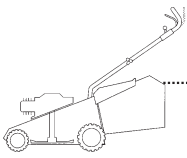
- Use GLOBAL GARDEN PRODUCT Genuine Spare Parts specified in the parts list for repair and/or replacement.
- The contents described in the parts list may change due to improvement.
- The drawings of the spare parts are only indicative and might not represent the part in question exactly.
- The indications "right" - "left" - "front" - "rear" refer to the position of the operator when using the machine.
- When placing orders of parts for repair and/or replacement, make sure that the illustrated parts list is the one applying to the machine's year of manufacture, as shown on the identification plate attached to the machine.

COPYRIGHT by GLOBAL GARDEN PRODUCTS

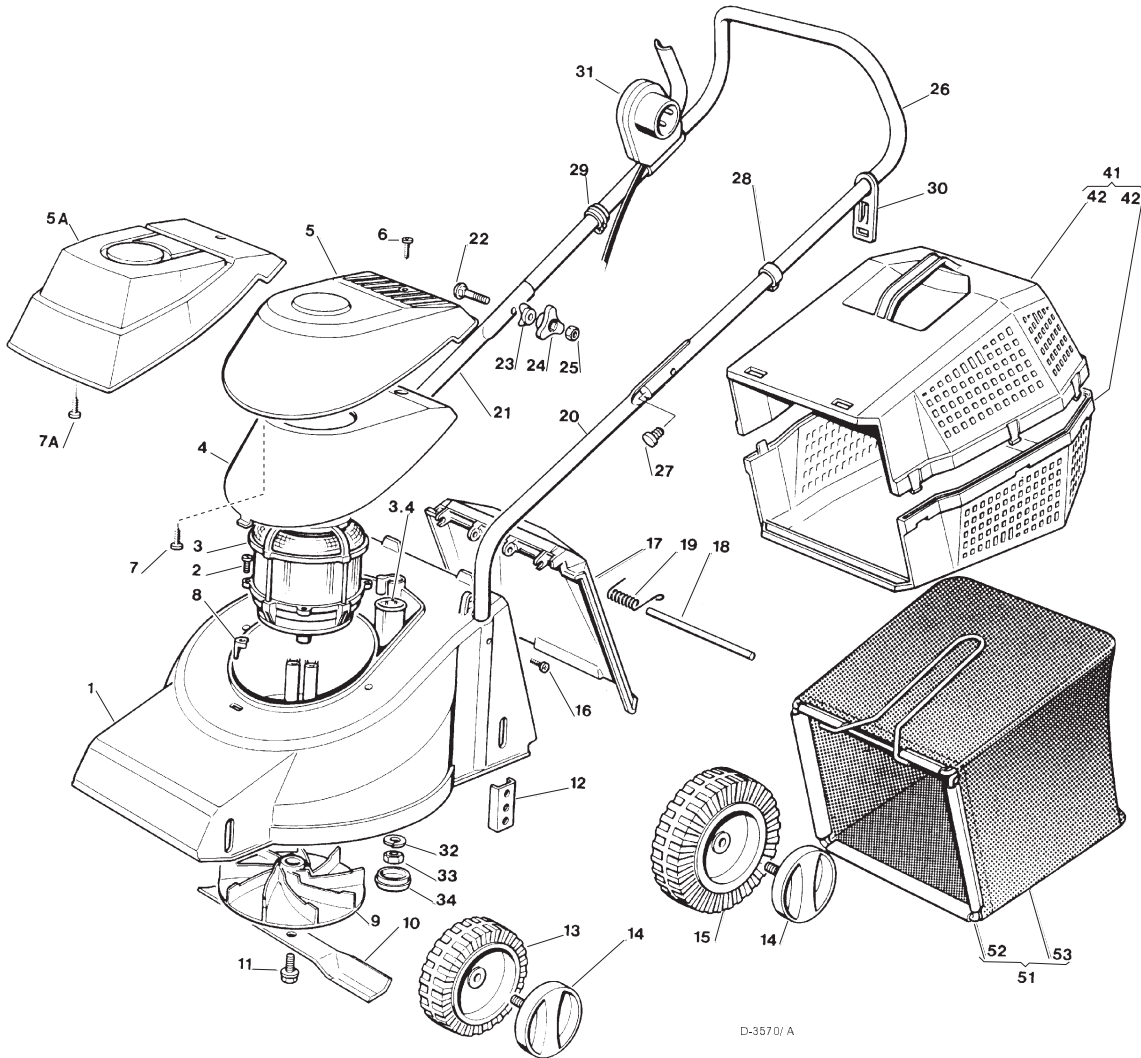
All rights reserved. No part of this material may be reproduced or transmitted, in any form or by any means, electronic or mechanical, including photocopying, recording or by any information storage and retrieval system, without permission in writing from GLOBAL GARDEN PRODUCTS.



**GLOBAL GARDEN PRODUCTS**



# K 350



D-3570/ A

SPARE PARTS CATALOGUE

GB

ERSATZTEILKATALOG

D

CATALOGO DELLE PARTI  
DI RICAMBIO

I

CATALOGUE DES PIÈCES  
DE RECHANGE

F

T-3650/ A

Pos. Nr.	Codice Code Kodex	Q.tà Q.ty-Q.tè Menge	Descrizione	Description	Description	Beschreibung
1			CHASSIS	DECK	CHÂSSIS	GEHÄUSE
—	81001036/ 1	1	ROSSO	RED	ROUGE	ROTES
—	81001037/ 1	1	GIALLO	YELLOW	JAUNE	GELBES
—	81001015/ 1	1	VERDE	GREEN	VERT	GRÜNES
2	1273541 0/ 0	4	VITE	SCREW	VIS	SCHRAUBE
3			MOTORE	MOTOR	MOTEUR	MOTOR
—	18563064/ 0	1	IBMEI 900W (230V)	IBMEI 900W (230V)	IBMEI 900W (230V)	IBMEI 900W (230V)
—	18563066/ 0	1	IBMEI 900W (240V)	IBMEI 900W (240V)	IBMEI 900W (240V)	IBMEI 900W (240V)
—	18563007/ 1	1	RST 900W (220-230V)	RST 900W (220-230V)	RST 900W (220-230V)	RST 900W (220-230V)
3-4	18222034/ 0	1	CONDENSATORE 8µF	CONDENSER 8µF	CONDENSEUR 8µF	KONDENSATOR 8µF
4	22055032/ 0	1	SUP. CAPOTTINA	COVER SUPPORT	SUPPORT CAPOT	HAUBEHALTER
5	81002006/ 0	1	ASS. CAPOTTINA	COVER ASS.Y	ENS. CAPOT	KOMPLETTE HAUBE
5A	81002007/ 0	1	ASS. CAPOTTINA	COVER ASS. Y	ENS. CAPOT	KOMPLETTE HAUBE
6	12728680/ 0	1	VITE	SCREW	VIS	SCHRAUBE
7	12728450/ 0	1	VITE	SCREW	VIS	SCHRAUBE
7A	12728680/ 0	1	VITE	SCREW	VIS	SCHRAUBE

Pos. Nr.	Codice Code Kodex	Q.tà Q.ty-Q.tè Menge	Descrizione	Description	Description	Beschreibung
8	22167700/ 0	4	DISTANZIALE	SPACER	ENTRETOISE	DISTANZRING
9	22465602/ 0	1	MOZZO	HUB	MOYEU	NABE
10	81004115/ 1	1	COLTELLO	BLADE	LAME	MESSER
—	81004116/ 0	1	STANDARD	STANDARD	STANDARD	STANDARD
—	81004352/ 0	1	ALETTATO	WINGED	AILETTÉE	FLÜGEL
11	81004352/ 0	1	VITE	SCREW	VIS	SCHRAUBE
12	22785087/ 1	4	SUPP. RUOTE	WHEELS SUPPORT	SUPPORT ROUE	RADHALTER
13	22686081/ 0	2	RUOTA Ø 130	WHEEL Ø 130	ROUE Ø 130	RAD Ø 130
14	81004348/ 0	4	COPRIMOZZO	HUB CAP	COUVRE-MOYEU	RADKAPPE
—	81004347/ 0	4	BIANCO	WHITE	BLANC	WEIßE
—	81004354/ 0	4	GIALLO	YELLOW	JAUNE	GELBE
—	81004354/ 0	4	ROSSO	RED	ROUGE	ROTE
15	22686082/ 0	2	RUOTA Ø 160	WHEEL Ø 160	ROUE Ø 160	RAD Ø 160
16	12728450/ 0	2	VITE	SCREW	VIS	SCHRAUBE
17	22600024/ 1	1	PARASSASSI	STONE-GUARD	PARE-PIERRES	PRALLBLECH
18	22512530/ 0	1	PERNO	PIN	PIVOT	BOLZEN
19	22450250/ 0	1	MOLLA	SPRING	RESSORT	FEDER
20	81006940/ 0	1	MANICO INF. SX	L. LOWER HANDLE	MANCHERON INF. G.	L. UNTERHOLM
21	81006939/ 0	1	MANICO INF. DX	R. LOWER HANDLE	MANCHERON INF. D.	R. UNTERHOLM
22	12819120/ 0	2	VITE	SCREW	VIS	SCHRAUBE
23	22680006/ 1	2	RONDELLA	WASHER	RONDELLE	SCHIBE
24	22399900/ 0	2	MANOPOLINA	KNOB	POIGNÉE	GRIFF
25	12293200/ 0	2	DADO	NUT	ECROU	MUTTER
26	81006941/ 2	1	PARTE SUP. MANICO	UPPER HANDLE	PARTIE SUP. MANCHERON	OBERRHOLM
27	18566112/ 0	2	TAPPO	CAP	BOUCHON	GUMMISTOPFEN
28	22192151/ 0	1	FERMACAVO	FAIRLEAD	FIXATION CABLE	KABELBEFESTIGUNG
29	22192000/ 1	1	FASCETTA ANCORAGGIO	ANCHOR CLAMP	COLLIER ANCRAGE	BOWDENZUGHALTER
30	22195101/ 1	1	FERMACAVO	FAIRLEAD	FIXATION CABLE	KABELBEFESTIGUNG
31	8100629/ 0	1	SALVAMOTORE M.M.	DEAD HAND SWITCH M.M.	INT. MAIN MORTE M.M.	TOT MANSCHALTER M.M.
—	18710629/ 0	1	5 A 602 MS (900W IBMEI)	5 A 602 MS (900W IBMEI)	5 A 602 MS (900W IBMEI)	5 A 602 MS (900W IBMEI)
—	18710630/ 0	1	5 A 603 MS (900W IBMEI)	5 A 603 MS (900W IBMEI)	5 A 603 MS (900W IBMEI)	5 A 603 MS (900W IBMEI)
—	18710631/ 0	1	SOLO PER SVIZZERA	ONLY FOR SWITZERLAND	SEULEMENT POUR LA SUISSE	NUR FÜR SCHWEIZ
—	18710631/ 0	1	5 A 607 MS (900W IBMEI)	5 A 607 MS (900W IBMEI)	5 A 607 MS (900W IBMEI)	5 A 607 MS (900W IBMEI)
—	18710611/ 1	1	6,5 A 602 MS (900W RST)	6,5 A 602 MS (900W RST)	6,5 A 602 MS (900W RST)	6,5 A 602 MS (900W RST)
—	18710625/ 1	1	6,5 A 603 MS (900W RST)	6,5 A 603 MS (900W RST)	6,5 A 603 MS (900W RST)	6,5 A 603 MS (900W RST)
—	18710626/ 1	1	SOLO PER SVIZZERA	ONLY FOR SWITZERLAND	SEULEMENT POUR LA SUISSE	NUR FÜR SCHWEIZ
—	18710626/ 1	1	SENZA PROT. TERMICA 601 MS	601 MS WITHOUT OVERLOAD PROTECTION	601 MS SANS PROTECTION TERMIQUE	601 MS OHNE THERMISCHER SHUTZ
—	18710627/ 0	1	SENZA PROT. TERMICA 603 MS	603 MS WITHOUT OVERLOAD PROTECTION	603 MS SANS PROTECTION TERMIQUE	603 MS OHNE THERMISCHER SHUTZ
32	12540260/ 0	1	GROWER	GROWER	GROWER	FEDERRING
33	12293200/ 0	1	DADO	NUT	ECROU	MUTTER
34	22110275/ 0	1	TAPPO	CAP	BOUCHON	GUMMISTOPFEN
41	97004000/ 0	1	SACCO COMPLETO	COMPLETE GRASS-BOX	BAC COMPLET	KOMPLETTER KORB
42	22486040/ 0	2	PARTE INF.-SUP. SACCO	UPPER. LOWER GRASS-BOX	PARTIE SUP.-INF. SAC	OBER-UNTERKORB
51	97006000/ 0	1	ASS. SACCO TELA	CANVASS GRASSCATCHER	ENSEMBLE SAC EN TOILE	KOMPLETTER SACK
52	81006414/ 0	1	TELAIO	CHASSIS	CHASSIS	RAHMEN
53	81002103/ 0	1	TELA SACCO	FABRIC BOX	TOILE POUR SAC	TUCK FÜR SACK
—	81008592/ 0	1	DOTAZIONE VITERIA	SCREWS OUTFIT	DOTATION VISSERIE	SCHRAUBEN SATZ