

ENCLOSURE 3

350 ÷ 390

2008

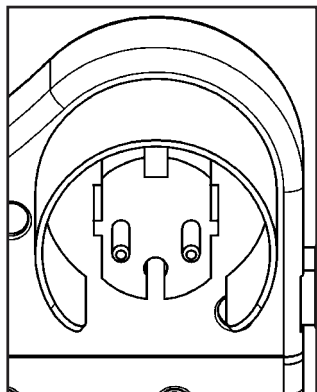
003.0

1 / 1

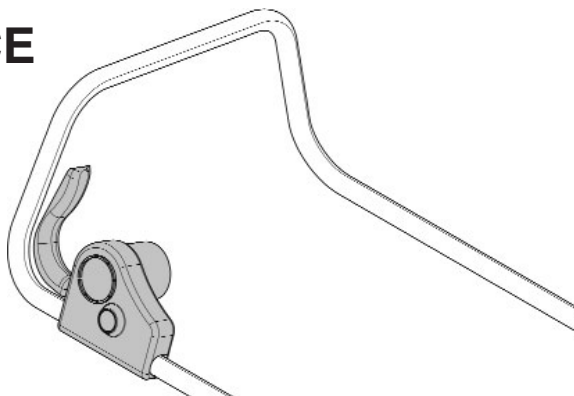
DISEGNO - DRAWING - DESSIN - ZEICHNUNG

CODE

REMARKS

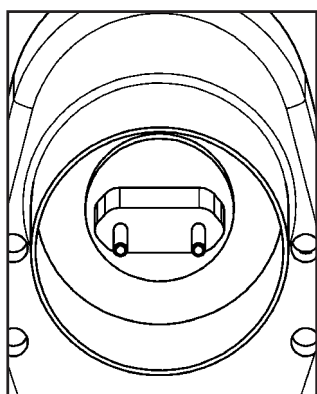


CE

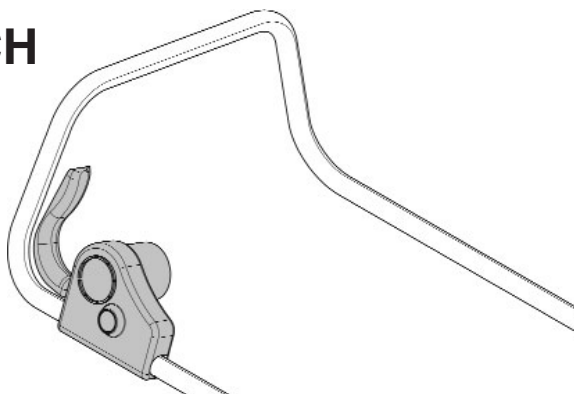


81600500/1

-

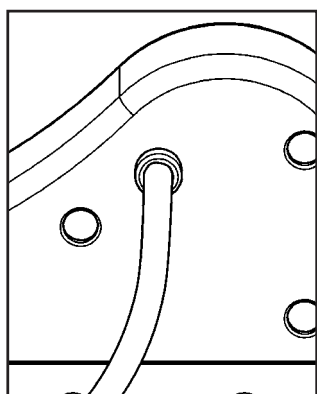


CH

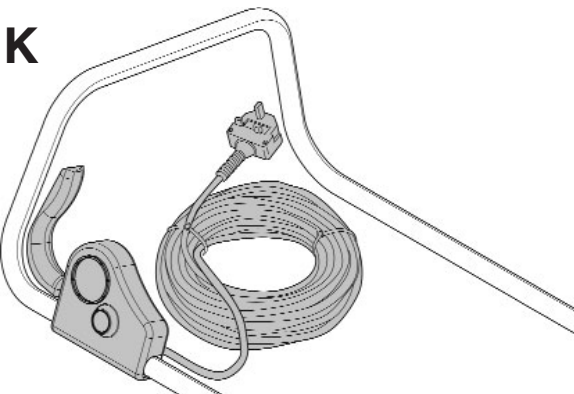


81600501/1

-



UK



81600502/1

-

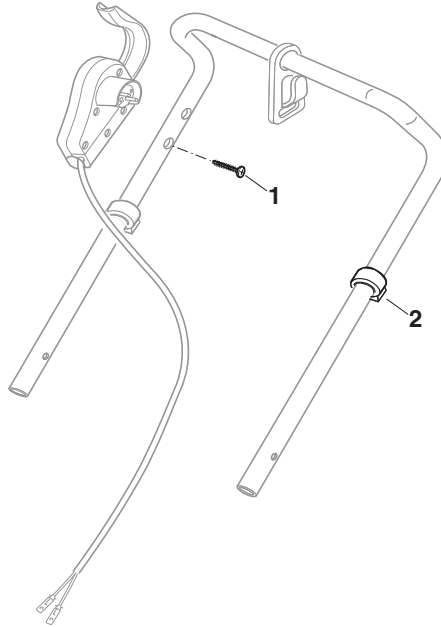
ENCLOSURE 3

350 ÷ 390

2008

003a.0

1 / 1



POS.	CODE	Q.TY	DESCRIZIONE	DESCRIPTION	DESCRIPTION	BESCHREIBUNG	REMARKS
1	12728701/0	2	VITE	SCREW	VIS	SCHRAUBE	
2	22192151/0	1	FERMACAVO	FAIRLEAD	FIXATION CABLE	KABELBEFESTIGUNG	

ENCLOSURE 3

350 ÷ 390

2008

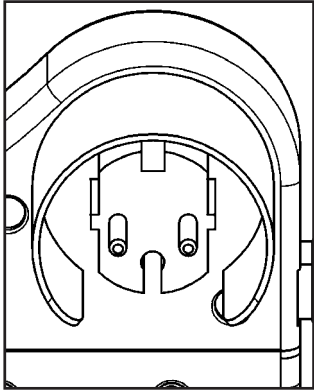
004.0

1 / 1

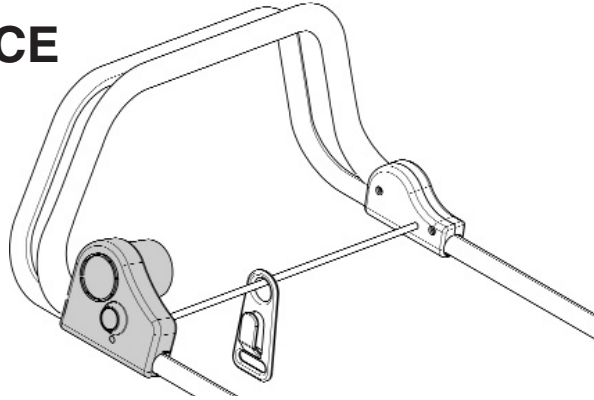
DISEGNO - DRAWING - DESSIN - ZEICHNUNG

CODE

REMARKS

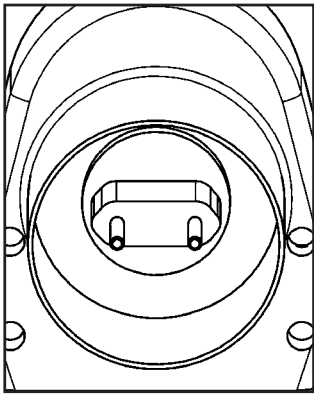


CE

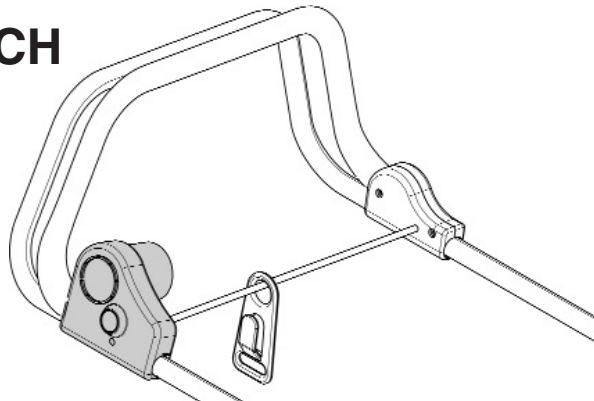


381600503/2

-

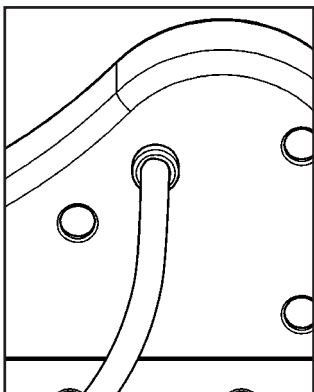


CH

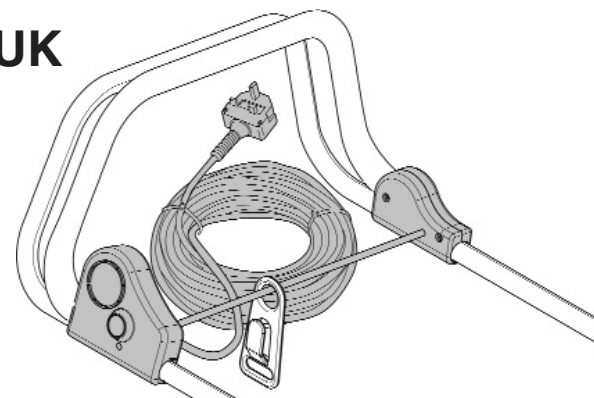


381600504/2

-



UK



381600505/2

-

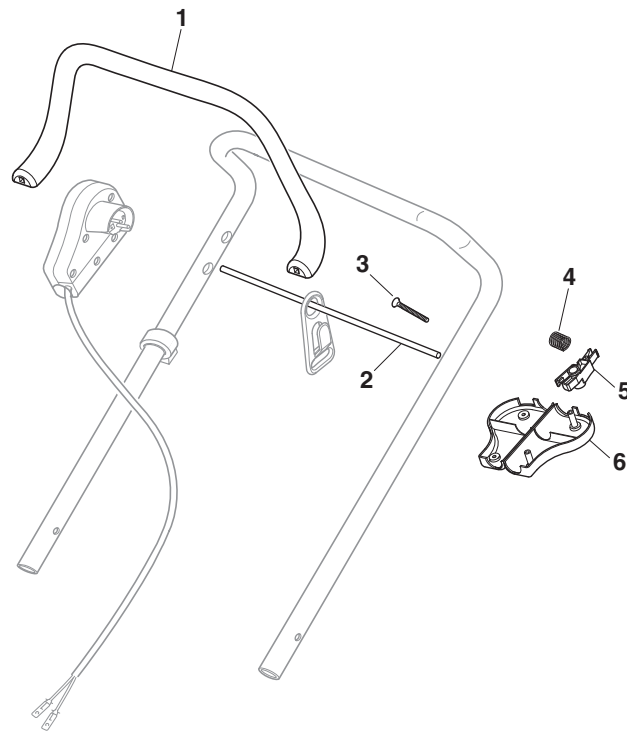
ENCLOSURE 3

350 ÷ 390

2008

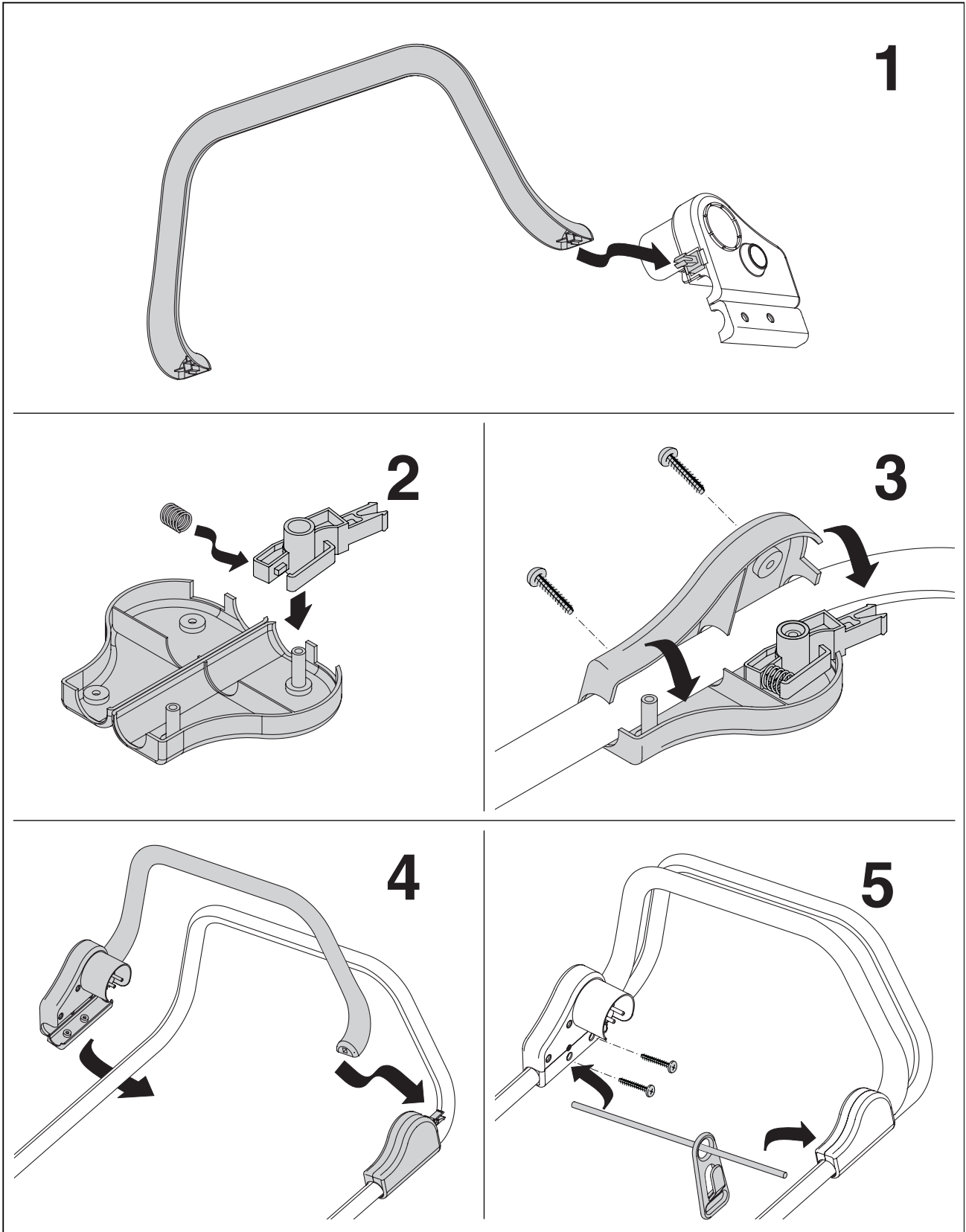
004a.0

1 / 1

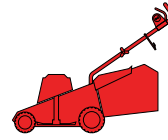


POS.	CODE	Q.TY	DESCRIZIONE	DESCRIPTION	DESCRIPTION	BESCHREIBUNG	REMARKS
1	322322880/1	1	LEVA FRENO MOTORE, NERO	LEVER, MOTOR BRAKE	LEVIER FREIN MOTEUR	HEBEL, MOTORBREMSE	
-	322322883/1	1	LEVA FRENO MOTORE, GIALLO	LEVER, MOTOR BRAKE	LEVIER FREIN MOTEUR	HEBEL, MOTORBREMSE	
2	22010250/0	1	ASTA AGGANCIAMENTO FERMACAVO	ROD, FAIRLEAD BEARING	TIGE SUPPORT SERRE-CABLE	STANGE, KABELHALTER	
3	12728701/0	4	VITE	SCREW	VIS	SCHRAUBE	
4	22450115/0	1	MOLLA	SPRING	RESSORT	FEDER	
5	322230350/1	1	FULCRO	FULCRUM PIN	POINT D'APPUI	GELENKPUNKT	
6	22785144/0	1	SUPPORTO	SUPPORT	SUPPORT	HALTER	

***Istruzioni di Montaggio - Instructions for Assembly -
Instructions de Montage - Montageanleitungen***



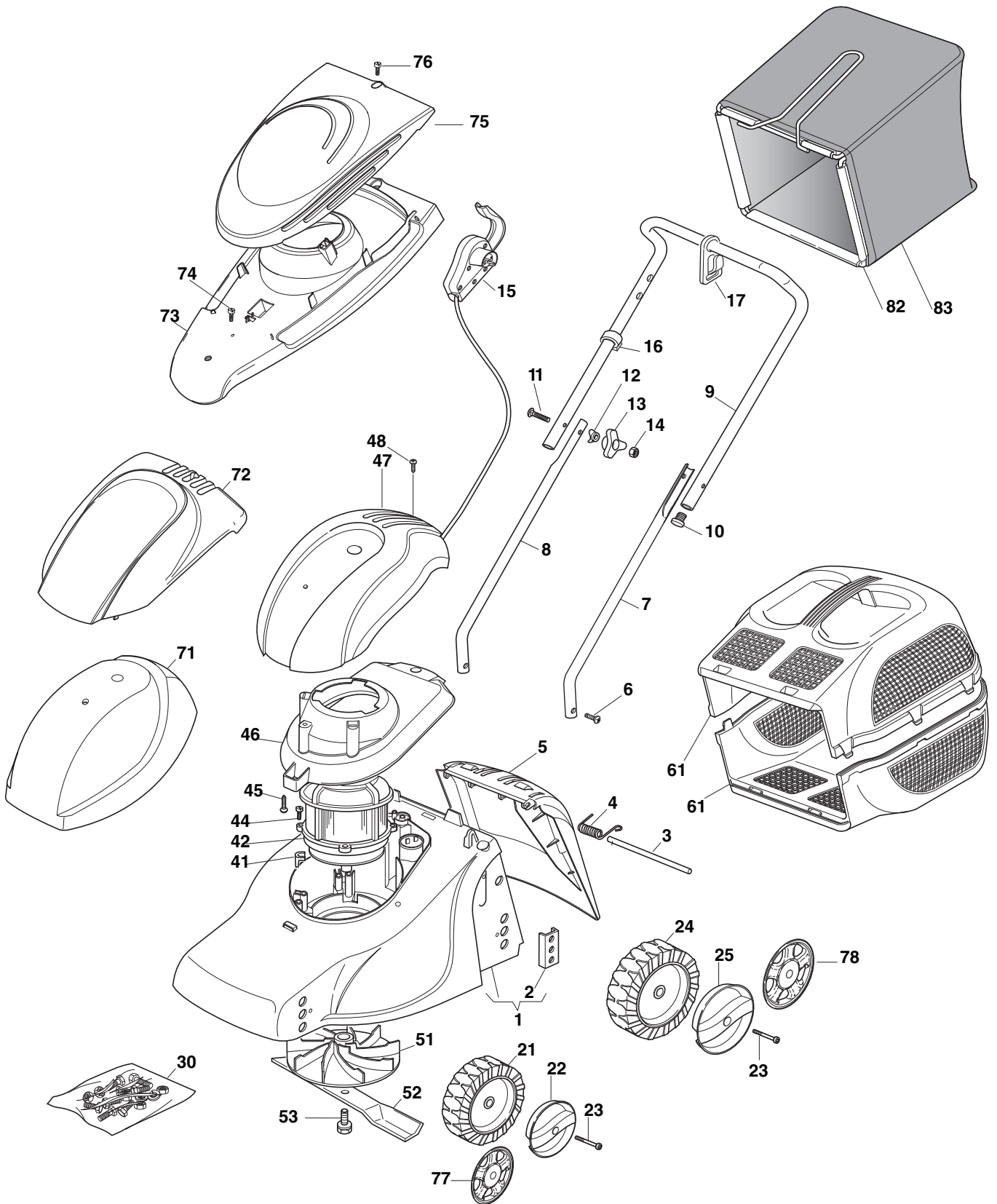
C 350



2008

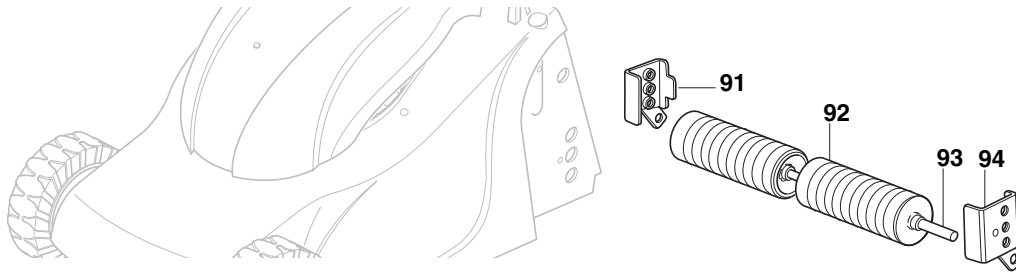
161.0

1 / 3



POS.	CODE	Q.Q.TY	DESCRIZIONE	DESCRIPTION	DESCRIPTION	BESCHREIBUNG	REMARKS
1	81001905/0	1	CHASSIS ROSSO	DECK RED	CHÂSSIS ROUGE	GEHÄUSE ROT	
2	22785087/1	4	SUPPORTO RUOTE	SUPPORT, WHEELS	SUPPORT ROUE	HALTER, RAD	
3	22512530/0	1	PERNO	PIN	PIVOT	BOLZEN	
4	22450250/0	1	MOLLA	SPRING	RESSORT	FEDER	
5	22600055/1	1	PARASASSI	STONE-GUARD	PARE-PIERRES	PRALLBLECH	
6	12728450/0	2	VITE	SCREW	VIS	SCHRAUBE	
7	81006940/1	1	MANICO, PARTE INF SX	HANDLE, L LOWER	MANCHERON, PARTIE INFERIEURE G	HOLM, LINKE UNTERTEIL	
8	81006939/1	1	MANICO, PARTE INF DX	HANDLE, R LOWER	MANCHERON, PARTIE INFERIEURE D	HOLM, RECHTE UNTERTEIL	
9	81006941/4	1	MANICO, PARTE SUP	HANDLE, UPPER PART	MANCHERON, PARTIE SUPERIEURE	HOLM, OBERTEIL	
10	18566112/0	2	PUNTALE	CAP	BOUCHON	GUMMISTOPFEN	
11	12819120/0	2	VITE	SCREW	VIS	SCHRAUBE	
12	22680006/1	2	ROSETTA	WASHER	RONDELLE	SCHEIBE	
13	22399900/0	2	MANOPOLINA	KNOB	POIGNÉE	GRIFF	
14	12293200/0	2	DADO	NUT	ECROU	MUTTER	
15	-	1	SALVAMOTORE	DEAD HAND SWITCH	INT. MAIN MORTE	TOT MANSCHALTER	(SEE ENCLOSURE 3)
16	22192000/1	1	FASCETTA	ANCHOR CLAMP	COLLIER ANCRAGE	BOWDENZUGHALTER	
17	22195101/4	1	FERMACAVO	FAIRLEAD	FIXATION CABLE	KABELBEFESTIGUNG	
21	22686083/0	2	RUOTA Ø 130	WHEEL Ø 130	ROUE Ø 130	RAD Ø 130	
22	22110436/0	2	COPRIMOZZO GIALLO	HUB CAP YELLOW	COUVRE-MOYEU	RADKAPPE GELBE	
-	22110440/0	2	COPRIMOZZO BIANCO	HUB CAP WHITE	COUVRE-MOYEU	RADKAPPE WEIßE	
-	22110437/0	2	COPRIMOZZO ROSSO	HUB CAP RED	COUVRE-MOYEU	RADKAPPE ROTE	
23	22524337/0	4	PERNO	PIN	PIVOT	BOLZEN	
24	22686085/0	2	RUOTA Ø 160	WHEEL Ø 160	ROUE Ø 160	RAD Ø 160	
25	22110449/0	2	COPRIMOZZO GIALLO	HUB CAP YELLOW	COUVRE-MOYEU	RADKAPPE GELBE	
-	22110448/0	2	COPRIMOZZO BIANCO	HUB CAP WHITE	COUVRE-MOYEU	RADKAPPE WEIßE	
-	22110450/0	2	COPRIMOZZO ROSSO	HUB CAP RED	COUVRE-MOYEU	RADKAPPE ROTE	
26	22110420/0	2	COPRIMOZZO GRIGIO	HUB CAP GREY	COUVRE-MOYEU GRIS	RADKAPPE GRAU	
27	22110421/0	2	COPRIMOZZO GRIGIO	HUB CAP GREY	COUVRE-MOYEU GRIS	RADKAPPE GRAU	
30	81008669/0	1	DOTAZIONE VITERIA	OUTFIT, SCREWS	DOTATION VISSERIE	SATZ, SCHRAUBEN	
41	22167700/0	4	DISTANZIALE	SPACER	ENTRETOISE	DISTANZRING	
42	118563658/0	1	MOTORE	MOTOR	MOTEUR	MOTOR	(LEO 230-240V)
44	12735410/0	4	VITE	SCREW	VIS	SCHRAUBE	
45	12728450/0	1	VITE	SCREW	VIS	SCHRAUBE	
46	22055050/2	1	SUPPORTO CAPOTTINA	SUPPORT, COVER	SUPPORT CAPOT	HALTER, HAUBE	
47	22055064/1	1	CAPOTTINA	COVER	CAPOT	HAUBE	
48	12728680/0	1	VITE	SCREW	VIS	SCHRAUBE	
51	22465602/0	1	MOZZO	HUB	MOYEU	HALTER	
52	81004141/0	1	COLTELLO STANDARD	BLADE STANDARD	LAME STANDARD	MESSER STANDARD	
53	81004352/0	1	VITE	SCREW	VIS	SCHRAUBE	
61	22486091/0	2	SACCO, PARTE INF/SUP	GRASS-BOX, UPPER/LOWER PART	SAC, PARTIE INFERIEURE/SUPERIEURE	KORB, OBER/UNTERTEIL	
71	22055063/0	1	CAPOTTINA	COVER	CAPOT	HAUBE	
72	22055064/1	1	CAPOTTINA	COVER	CAPOT	HAUBE	
73	22785205/0	1	SUPPORTO CAPOTTINA	SUPPORT, COVER	SUPPORT CAPOT	HALTER, HAUBE	
74	12728525/0	1	VITE	SCREW	VIS	SCHRAUBE	
75	22055106/0	1	CAPOTTINA, ROSSO	COVER, RED	CAPOT ROUGE	HAUBE ROT	

POS.	CODE	Q.TY	DESCRIZIONE	DESCRIPTION	DESCRIPTION	BESCHREIBUNG	REMARKS
75	22055107/0	1	CAPOTTINA, GIALLO	COVER, YELLOW	CAPOT JAUNE	HAUBE GELB	
-	22055117/0	1	CAPOTTINA, GRIGIO	COVER, GREY	CAPOT GRAU	HAUBE GRIS	
76	12728710/0	1	VITE	SCREW	VIS	SCHRAUBE	
77	22110420/0	2	COPRIMOZZO GRIGIO	HUB CAP GREY	COUVRE-MOYEU GRIS	RADKAPPE GRAU	
78	22110421/0	2	COPRIMOZZO GRIGIO	HUB CAP GREY	COUVRE-MOYEU GRIS	RADKAPPE GRAU	
82	81006414/0	1	TELAIO SACCO	CHASSIS BOX	CHÂSSIS BAC	RAHMEN SACK	
83	81002103/0	1	SACCO, TELA	BOX, FABRIC	SAC, TOILE	SACK, TUCK	



POS.	CODE	Q.TY	DESCRIZIONE	DESCRIPTION	DESCRIPTION	BESCHREIBUNG	REMARKS
91	81005097/1	1	SUPPORTO RUOTA DX	SUPPORT, R WHEEL	SUPPORT ROUE DROIT	HALTER, RAD R	
92	22670010/1	2	ROLLER	ROLLER	ROLLER	ROLLER	
93	22519805/1	1	PERNO ROLLER	PIN, ROLLER	PIVOT, ROLLER	BOLZEN, ROLLER	
94	81005099/1	1	SUPPORTO RUOTA SX	SUPPORT, L WHEEL	SUPPORT, G ROUE	HALTER, RAD LINKER	