

Genuine Spare Parts

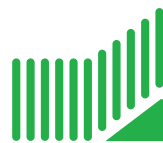
Catalogo delle parti di ricambio
Spare parts catalogue
Catalogue des pieces de rechange
Ersatzteilkatalog

2002

- Use GLOBAL GARDEN PRODUCT Genuine Spare Parts specified in the parts list for repair and/or replacement.
- The contents described in the parts list may change due to improvement.
- The drawings of the spare parts are only indicative and might not represent the part in question exactly.
- The indications "right" - "left" - "front" - "rear" refer to the position of the operator when using the machine.
- When placing orders of parts for repair and/or replacement, make sure that the illustrated parts list is the one applying to the machine's year of manufacture, as shown on the identification plate attached to the machine.

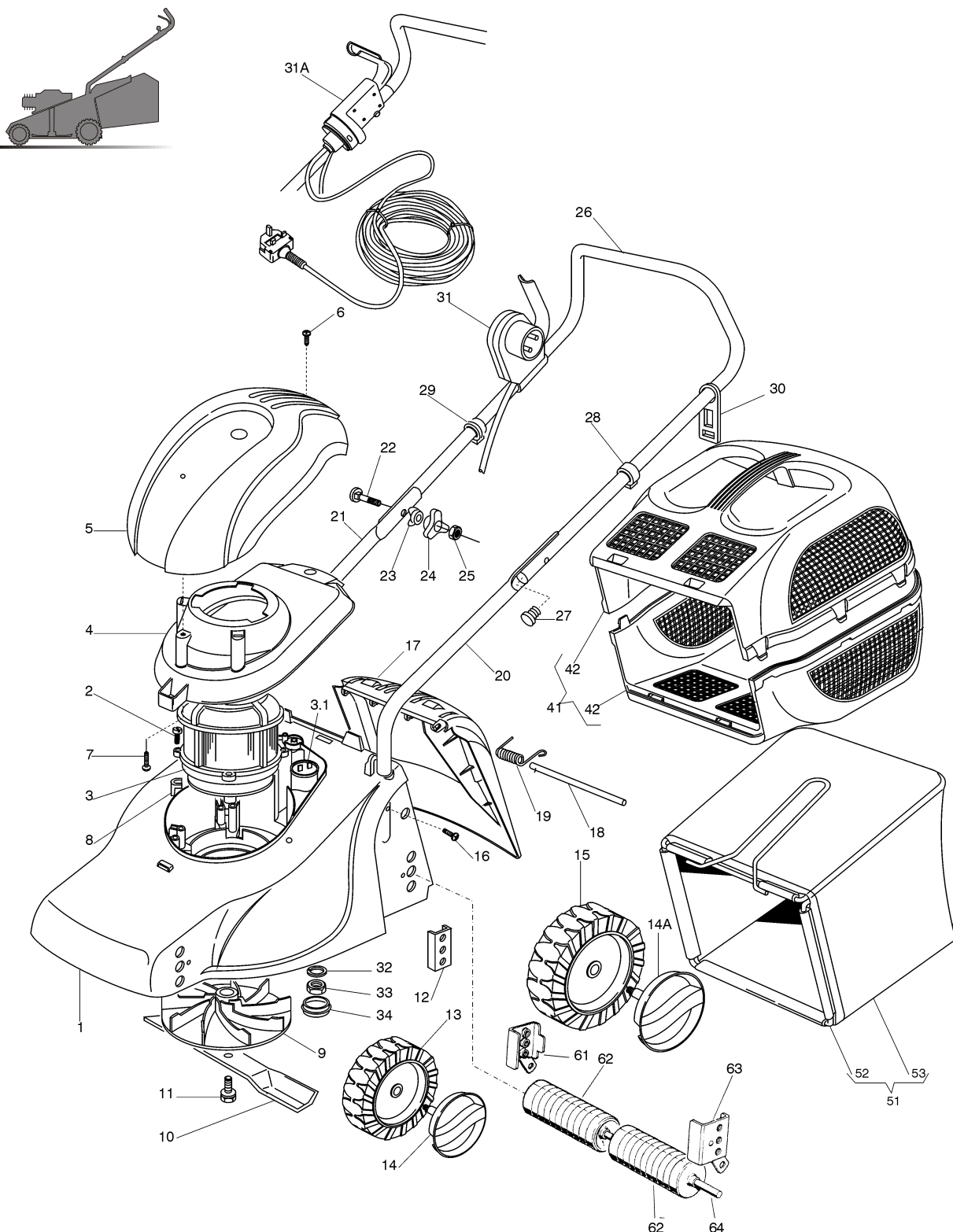
COPYRIGHT by GLOBAL GARDEN PRODUCTS

All rights reserved. No part of this material may be reproduced or transmitted, in any form or by any means, electronic or mechanical, including photocopying, recording or by any information storage and retrieval system, without permission in writing from GLOBAL GARDEN PRODUCTS.



GLOBAL GARDEN PRODUCTS

00D_C350



00T.003

| Pos. | Code | Q.ty | Descrizione | Description | Description | Beschreibung | Remarks |
|------|------------|------|----------------|-------------|---------------|----------------|------------------|
| 1 | 81001560/0 | 1 | CHASSIS ROSSO | DECK RED | CHÂSSIS ROUGE | GEHÄUSE ROTES | |
| - | 81001573/0 | 1 | CHASSIS GIALLO | DECK YELLOW | CHÂSSIS JAUNE | GEHÄUSE GELBES | |
| - | 81001574/0 | 1 | CHASSIS VERDE | DECK GREEN | CHÂSSIS VERT | GEHÄUSE GRÜNES | |
| 2 | 12735410/0 | 4 | VITE | SCREW | VIS | SCHRAUBE | |
| 3 | 18563007/3 | 1 | MOTORE RST | MOTOR RST | MOTEUR RST | MOTOR RST | 230-240V (1000W) |
| - | 18563604/0 | 1 | MOTORE ATB | MOTOR ATB | MOTEUR ATB | MOTOR ATB | 230-240V (1000W) |
| - | 18563064/0 | 1 | MOTORE HLT | MOTOR HLT | MOTEUR HLT | MOTOR ATB | 230V (1000W) |

| Pos. | Code | Q.ty | Descrizione | Description | Description | Beschreibung | Remarks |
|------|------------|------|--|--|--|---|---------------------------------------|
| 3.1 | 18222043/0 | 1 | CONDENSATORE 12 µF | CONDENSER 12 µF | CONDENSEUR 12 µF | KONDENSATOR 12 µF | (1000W ATB) |
| - | 18222034/0 | 1 | CONDENSATORE 8 µF | CONDENSER 8 µF | CONDENSEUR 8 µF | KONDENSATOR 8 µF | (1000W HLT/RST) |
| 4 | 22055050/2 | 1 | SUPPORTO CAPOTTINA | SUPPORT, COVER | SUPPORT CAPOT | HALTER, HAUBE | |
| 5 | 22055049/1 | 1 | CAPOTTINA | COVER | CAPOT | HAUBE | |
| 6 | 12728680/0 | 1 | VITE | SCREW | VIS | SCHRAUBE | |
| 7 | 12728450/0 | 1 | VITE | SCREW | VIS | SCHRAUBE | |
| 8 | 22167700/0 | 4 | DISTANZIALE | SPACER | ENTRETOISE | DISTANZRING | |
| 9 | 22465602/0 | 1 | MOZZO | HUB | MOYEU | HALTER | |
| 10 | 81004115/1 | 1 | COLTELLO STANDARD | BLADE STANDARD | LAME STANDARD | MESSER STANDARD | |
| - | 81004116/0 | 1 | COLTELLO ALETTATO | BLADE WINGED | LAME AILETTÉE | MESSER FLÜGEL | |
| 11 | 81004352/0 | 1 | VITE | SCREW | VIS | SCHRAUBE | |
| 12 | 22785087/1 | 4 | SUPPORTO RUOTE | SUPPORT, WHEELS | SUPPORT ROUE | HALTER, RAD | |
| 13 | 22686083/0 | 2 | RUOTA Ø 130 | WHEEL Ø 130 | ROUE Ø 130 | RAD Ø 130 | |
| 14 | 81004331/0 | 2 | COPRIMOZZO GIALLO | HUB CAP YELLOW | COUVRE-MOYEU JAUNE | RADKAPPE GELBE | |
| - | 81004333/0 | 2 | COPRIMOZZO ROSSO | HUB CAP RED | COUVRE-MOYEU ROUGE | RADKAPPE ROTE | |
| - | 81004357/0 | 2 | COPRIMOZZO BIANCO | HUB CAP WHITE | COUVRE-MOYEU BLANC | RADKAPPE WEIßE | |
| 14A | 81004326/0 | 2 | COPRIMOZZO BIANCO | HUB CAP WHITE | COUVRE-MOYEU BLANC | RADKAPPE WEIßE | |
| - | 81004327/0 | 2 | COPRIMOZZO GIALLO | HUB CAP YELLOW | COUVRE-MOYEU JAUNE | RADKAPPE GELBE | |
| - | 81004328/0 | 2 | COPRIMOZZO ROSSO | HUB CAP RED | COUVRE-MOYEU ROUGE | RADKAPPE ROTE | |
| 15 | 22686085/0 | 2 | RUOTA Ø 160 | WHEEL Ø 160 | ROUE Ø 160 | RAD Ø 160 | |
| 16 | 12728450/0 | 2 | VITE | SCREW | VIS | SCHRAUBE | |
| 17 | 22600055/0 | 1 | PARASASSI | STONE-GUARD | PARE-PIERRES | PRALLBLECH | |
| 18 | 22512530/0 | 1 | PERNO | PIN | PIVOT | BOLZEN | |
| 19 | 22450250/0 | 1 | MOLLA | SPRING | RESSORT | FEDER | |
| 20 | 81006940/0 | 1 | MANICO, PARTE INF SX | HANDLE, L LOWER PART | MANCHERON, PARTIE INFERIEURE G | HOLM, LINKE UNTERTEIL | |
| 21 | 81006939/0 | 1 | MANICO, PARTE INF DX | HANDLE, R LOWER PART | MANCHERON, PARTIE INFERIEURE D | HOLM, RECHTE UNTERTEIL | |
| 22 | 12819120/0 | 2 | VITE | SCREW | VIS | SCHRAUBE | |
| 23 | 22680006/1 | 2 | RONDELLA | WASHER | RONDELLE | SCHEIBE | |
| 24 | 22399900/0 | 2 | MANOPOLINA | KNOB | POIGNÉE | GRIFF | |
| 25 | 12293200/0 | 2 | DADO | NUT | ECROU | MUTTER | |
| 26 | 81006941/2 | 1 | MANICO, PARTE SUP | HANDLE, UPPER PART | MANCHERON, PARTIE SUPERIEURE | HOLM, OBERTEIL | |
| 27 | 18566112/0 | 2 | PUNTALE | CAP | BOUCHON | GUMMISTOPFEN | |
| 28 | 22192151/0 | 1 | FERMACAVO | FAIRLEAD | FIXATION CABLE | KABELBEFESTIGUNG | |
| 29 | 22192000/1 | 1 | FASCETTA ANCORAGGIO | ANCHOR CLAMP | COLLIER ANCRAGE | BOWDENZUGHALTER | |
| 30 | 22195101/2 | 1 | FERMACAVO | FAIRLEAD | FIXATION CABLE | KABELBEFESTIGUNG | |
| 31 | 18710629/0 | 1 | SALVAMOTORE | DEAD HAND SWITCH | INT. MAIN MORTE | TOT MANSCHALTER | 5A 602 MS (1000W HLT) |
| - | 18710630/0 | 1 | SALVAMOTORE | DEAD HAND SWITCH | INT. MAIN MORTE | TOT MANSCHALTER | 5A 603 MS (1000W ATB/HLT ONLY FOR CH) |
| - | 18710631/0 | 1 | SALVAMOTORE | DEAD HAND SWITCH | INT. MAIN MORTE | TOT MANSCHALTER | 5A 607 MS (1000W HLT) |
| - | 18710611/1 | 1 | SALVAMOTORE | DEAD SWITCH HAND | INT. MAIN MORTE | TOT MANSCHALTER | 6,5A 602 MS (1000W RST) |
| - | 18710625/1 | 1 | SALVAMOTORE | DEAD HAND SWITCH | INT. MAIN MORTE | TOT MANSCHALTER | 6,5A 603 MS (1000W RST ONLY FOR CH) |
| - | 18710626/1 | 1 | SALVAMOTORE - SENZA PROT. TERMICA | DEAD HAND SWITCH - WITHOUT OVERLOAD PROTECTION | INT. MAIN MORTE - SANS PROTECTION TERMIQUE | TOT MANSCHALTER - OHNE THERMISCHER SCHUTZ | 601 MS |
| - | 18710627/1 | 1 | SALVAMOTORE - SENZA PROT. TERMICA | DEAD HAND SWITCH - WITHOUT OVERLOAD PROTECTION | INT. MAIN MORTE - SANS PROTECTION TERMIQUE | TOT MANSCHALTER - OHNE THERMISCHER SCHUTZ | 603 MS (ONLY FOR CH) |
| 31A | 18710402/0 | 1 | SALVAMOTORE + CAVO 10 MT | DEAD HAND SWITCH + CABLE 10 MT | INT. MAIN MORTE + CABLE 10 MT | TOT MANSCHALTER + KABEL 10 MT | 5A CCS 79 (1000W ATB ONLY FOR UK) |
| - | 18710400/0 | 1 | SALVAMOTORE - SENZA PROT. TERMICA + CAVO (10 MT) | DEAD HAND SWITCH - WITHOUT OVERLOAD PROTECTION + CABLE (10 MT) | INT. MAIN MORTE - SANS PROTECTION TERMIQUE + CABLE (10 MT) | TOT MANSCHALTER - OHNE THERMISCHER SCHUTZ + KABEL (10 MT) | CCS 59 (ONLY FOR UK) |
| 32 | 12540260/0 | 1 | GROWER | GROWER | GROWER | FEDERRING | |
| 33 | 12293200/0 | 1 | DADO | NUT | ECROU | MUTTER | |
| 34 | 22110275/0 | 1 | TAPPO | CAP | BOUCHON | GUMMISTOPFEN | |

52

00T.003

| Pos. | Code | Q.ty | Descrizione | Description | Description | Beschreibung | Remarks |
|------|------------|------|-------------------------|--------------------------------|-----------------------------------|----------------------|---------|
| 41 | 97350000/0 | 1 | SACCO, COMPLETO | GRASSCATCHER, COMPLETE | SAC, COMPLETE | SACK, KOMPLETTE | |
| 42 | 22486048/0 | 2 | SACCO, PARTE INF/SUP | GRASS-BOX, UPPER/LOWER PART | SAC, PARTIE INFERIEURE/SUPERIEURE | KORB, OBER/UNTERTEIL | |
| 51 | 97006000/0 | 1 | SACCO IN TELA, COMPLETO | GRASSCATCHER, CANVASS COMPLETE | SAC EN TOILE, COMPLETE | SACK, KOMPLETTE | |
| 52 | 81006414/0 | 1 | TELAIO SACCO | CHASSIS BOX | CHÂSSIS BAC | RAHMEN SACK | |
| 53 | 81002103/0 | 1 | SACCO, TELA | BOX, FABRIC | SAC, TOILE | SACK, TUCK | |
| — | 81008592/0 | 1 | DOTAZIONE VITERIA | OUTFIT, SCREWS | DOTATION VISSERIE | SATZ, SCHRAUBEN | |

VARIANTE ROLLER - ROLLER MODIFICATION - MODIFICATION ROLLER - ÄNDERUNG ROLLER

00T.003

| Pos. | Code | Q.ty | Descrizione | Description | Description | Beschreibung | Remarks |
|------|------------|------|-------------------|------------------|--------------------|--------------------|---------|
| 1 | 81001778/0 | 1 | CHASSIS ROSSO | DECK RED | CHÂSSIS ROUGE | GEHÄUSE ROTES | |
| 61 | 81005097/1 | 1 | SUPPORTO RUOTA DX | SUPPORT, R WHEEL | SUPPORT ROUE DROIT | HALTER, RAD R | |
| 62 | 22670010/1 | 2 | ROLLER | ROLLER | ROLLER | ROLLER | |
| 63 | 81005099/1 | 1 | SUPPORTO RUOTA SX | SUPPORT, L WHEEL | SUPPORT, G ROUE | HALTER, RAD LINKER | |
| 64 | 22519805/1 | 1 | PERNO ROLLER | PIN, ROLLER | PIVOT, ROLLER | BOLZEN, ROLLER | |