

# Genuine Spare Parts

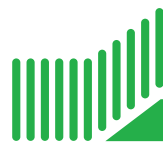
Catalogo delle parti di ricambio  
Spare parts catalogue  
Catalogue des pieces de rechange  
Ersatzteilkatalog

# 1999

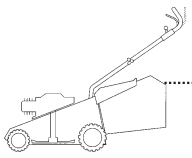
- Use GLOBAL GARDEN PRODUCT Genuine Spare Parts specified in the parts list for repair and/or replacement.
- The contents described in the parts list may change due to improvement.
- The drawings of the spare parts are only indicative and might not represent the part in question exactly.
- The indications "right" - "left" - "front" - "rear" refer to the position of the operator when using the machine.
- When placing orders of parts for repair and/or replacement, make sure that the illustrated parts list is the one applying to the machine's year of manufacture, as shown on the identification plate attached to the machine.

**COPYRIGHT by GLOBAL GARDEN PRODUCTS**

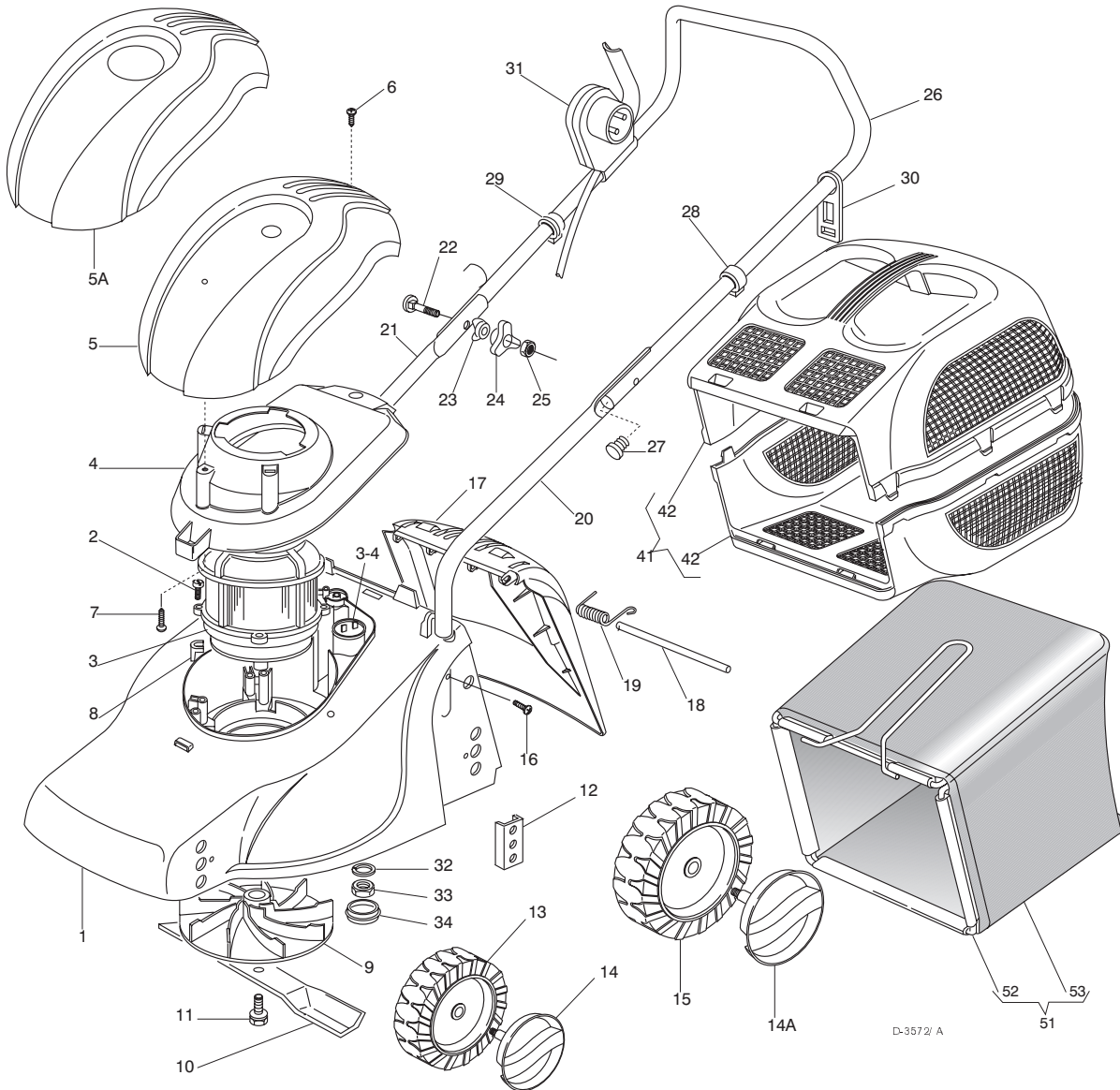
All rights reserved. No part of this material may be reproduced or transmitted, in any form or by any means, electronic or mechanical, including photocopying, recording or by any information storage and retrieval system, without permission in writing from GLOBAL GARDEN PRODUCTS.



**GLOBAL GARDEN PRODUCTS**



# C 350



SPARE PARTS CATALOGUE

GB

CATALOGO DELLE PARTI  
DI RICAMBIO

I

ERSATZTEILKATALOG

D

CATALOGUE DES PIÈCES  
DE RECHANGE

F

T-3652/ A

Pos. Nr.	Codice Code Kodex	Q.tà Q.ty-Q.tè Menge	Descrizione	Description	Description	Beschreibung
1			CHASSIS	DECK	CHÂSSIS	GEHÄUSE
—	81001560/ 0	1	ROSSO	RED	ROUGE	ROTES
—	81001573/ 0	1	GIALLO	YELLOW	JAUNE	GELBES
—	81001574/ 0	1	VERDE	GREEN	VERT	GRÜNES
2	12735410/ 0	4	VITE	SCREW	VIS	SCHRAUBE
3			MOTORE	MOTOR	MOTEUR	MOTOR
—	18563064/ 0	1	IBMEI 1000W (230V)	IBMEI 1000W (230V)	IBMEI 1000W (230V)	IBMEI 1000W (230V)
—	18563066/ 0	1	IBMEI 1000W (240V)	IBMEI 1000W (240V)	IBMEI 1000W (240V)	IBMEI 1000W (240V)
—	18563007/ 1	1	RST 1000W (220-230V)	RS 1000W (220-230V)	RST 1000W (220-230V)	RST 1000W (220-230V)
3•4	18222034/ 0	1	CONDENSATORE 8µF	CONDENSER 8µF	CONDENSEUR 8µF	KONDENSATOR 8µF
4	22055050/ 1	1	SUP. CAPOTTINA	COVER SUPPORT	SUPPORT CAPOT	HAUBEHALTER
5	22055049/ 1	1	ASS. CAPOTTINA	COVER ASS. Y	ENS. CAPOT	KOMPLETTE HAUBE
5A	81002010/ 1	1	ASS. CAPOTTINA	COVER ASS. Y	ENS. CAPOT	KOMPLETTE HAUBE
6	12728680/ 0	1	VITE	SCREW	VIS	SCHRAUBE
7	12728450/ 0	1	VITE	SCREW	VIS	SCHRAUBE
8	22167700/ 0	4	DISTANZIALE	SPACER	ENTRETOISE	DISTANZRING

Pos. Nr.	Codice Code Kodex	Q.tà Q.ty-Q.tè Menge	Descrizione	Description	Description	Beschreibung
9	22465602/ 0	1	MOZZO	HUB	MOYEU	NABE
10	81004115/ 1	1	COLTELLO	BLADE	LAME	MESSER
—	81004116/ 0	1	STANDARD	STANDARD	STANDARD	STANDARD
11	81004352/ 0	1	ALETTATO	WINGED	AILETTÉE	FLÜGELMESSER
12	22785087/ 1	4	VITE	SCREW	VIS	SCHRAUBE
13	22686083/ 0	2	SUPP. RUOTE	WHEELS SUPPORT	SUPPORT ROUE	RADHALTER
14	81004357/ 0	2	RUOTA Ø 130	WHEEL Ø 130	ROUE Ø 130	RAD Ø 130
—	81004331/ 0	2	COPRIMOZZO	HUB CAP	COUVRE-MOYEU	RADKAPPE
—	81004333/ 0	2	BIANCO	WHITE	BLANC	WEIßE
14A	81004326/ 0	2	GIALLO	YELLOW	JAUNE	GELBE
—	81004327/ 0	2	ROSSO	RED	ROUGE	ROTE
15	22686085/ 0	2	COPRIMOZZO	HUB CAP	COUVRE-MOYEU	RADKAPPE
16	12728450/ 0	2	BIANCO	WHITE	BLANC	WEIßE
17	22600055/ 0	1	GIALLO	YELLOW	JAUNE	GELBE
18	22512530/ 0	1	ROSSO	RED	ROUGE	ROTE
19	22450250/ 0	1	RUOTA Ø 160	WHEEL Ø 160	ROUE Ø 160	RAD Ø 160
20	81006940/ 0	1	VITE	SCREW	VIS	SCHRAUBE
21	81006939/ 0	1	PARASASSI	STONE-GUARD	PARE-PIERRES	PRALLBLECH
22	12819120/ 0	2	PERNO	PIN	PIVOT	BOLZEN
23	22680006/ 1	2	MOLLA	SPRING	RESSORT	FEDER
24	22399900/ 0	2	MANICO INF. SX	L. LOWER HANDLE	MANCHERON INF. G.	L. UNTERHOLM
25	12293200/ 0	2	MANICO INF. DX	R. LOWER HANDLE	MANCHERON INF. D.	R. UNTERHOLM
26	81006941/ 2	1	VITE	SCREW	VIS	SCHRAUBE
27	18566112/ 0	2	RONDELLA	WASHER	RONDELLE	SCHEIBE
28	22192151/ 0	1	MANOPOLINA	KNOB	POIGNÉE	GRIFF
29	22192000/ 1	1	DADO	NUT	ECROU	MUTTER
30	22195101/ 1	1	PARTE SUP. MANICO	UPPER HANDLE	PARTIE SUP. MANCHERON	OBERHOLM
31	18710629/ 0	1	TAPPO	CAP	BOUCHON	GUMMISTOPFEN
—	18710630/ 0	1	FERMACAVO	FAIRLEAD	FIXATION CABLE	KABELBEFESTIGUNG
—	18710631/ 0	1	FASCETTA ANCORAGGIO	ANCHOR CLAMP	COLLIER ANCRAGE	BOWDENZUGHALTER
—	18710632/ 0	1	FERMACAVO	FAIRLEAD	FIXATION CABLE	KABELBEFESTIGUNG
—	18710633/ 0	1	SALVAMOTORE M.M.	DEAD SWITCH HAND M.M.	INT. MAIN MORTE M.M.	TOT MANSCHALTER M.M.
—	18710634/ 0	1	5A 602 MS (1000W IBMEI)	5A 602 MS (1000W IBMEI)	5A 602 MS (1000W IBMEI)	5A 602 MS (1000W IBMEI)
—	18710635/ 0	1	5A 603 MS (1000W IBMEI)	5A 603 MS (1000W IBMEI)	5A 603 MS (1000W IBMEI)	5A 603 MS (1000W IBMEI)
—	18710636/ 0	1	SOLO PER SVIZZERA	ONLY FOR SWITZERLAND	SEULEMENT POUR LA SUISSE	NUR FÜR SCHWEIZ
—	18710637/ 0	1	5A 607 MS (1000W)	5A 607 MS (1000W)	5A 607 MS (1000W)	5A 607 MS (1000W)
—	18710638/ 0	1	6,5A 602 MS (1000W RST)	M.M 6,5A 602 MS (1000W RST)	M.M 6,5A 602 MS (1000W RST)	M.M 6,5A 602 MS (1000W RST)
—	18710639/ 0	1	6,5A 603 MS (1000W RST)	M.M 6,5A 603 MS (1000W RST)	M.M 6,5A 603 MS (1000W RST)	M.M 6,5A 603 MS (1000W RST)
—	18710640/ 0	1	SOLO PER SVIZZERA	ONLY FOR SWITZERLAND	SEULEMENT POUR LA SUISSE	NUR FÜR SCHWEIZ
—	18710641/ 1	1	SENZA PROTEZIONE TERMICA	601 MS WITHOUT OVERLOAD	601 MS SANS PROTECTION	601 MS OHNE THERMISCHER
—	18710642/ 0	1	601 MS	PROTECTION	TERMIQUE	SCHUTZ
—	18710643/ 0	1	SENZA PROTEZIONE TERMICA	603 MS WITHOUT OVERLOAD	603 MS SANS PROTECTION	603 MS OHNE THERMISCHER
—	18710644/ 0	1	603 MS	PROTECTION	TERMIQUE	SCHUTZ
32	12540260/ 0	1	GROWER	GROWER	GROWER	FEDERRING
33	12293200/ 0	1	DADO	NUT	ECROU	MUTTER
34	22110275/ 0	1	TAPPO	CAP	BOUCHON	GUMMISTOPFEN
41	97350000/ 0	1	SACCO COMPLETO	COMPLETE GRASS-BOX	BAC COMPLET	KOMPLETTER KORB
42	22486048/ 0	2	PARTE INF. SUP. SACCO	UPPER. LOWER GRASS-BOX	PARTIE SUP.-INF. SAC	OBER-UNTERKORB
51	97006000/ 0	1	ASS. SACCO TELA	CANVASS GRASSCATCHER	ENSEMBLE SAC EN TOILE	KOMPLETTER SACK
52	81006414/ 0	1	TELAIO	CHASSIS	CHASSIS	RAHMEN
53	81002103/ 0	1	TELA SACCO	FABRIC BOX	TOILE POUR SAC	TUCK FÜR SACK
—	81008592/ 0	1	DOTAZIONE VITERIA	SCREWS OUTFIT	DOTATION VISSERIE	SCHRAUBEN SATZ