



Green Passion

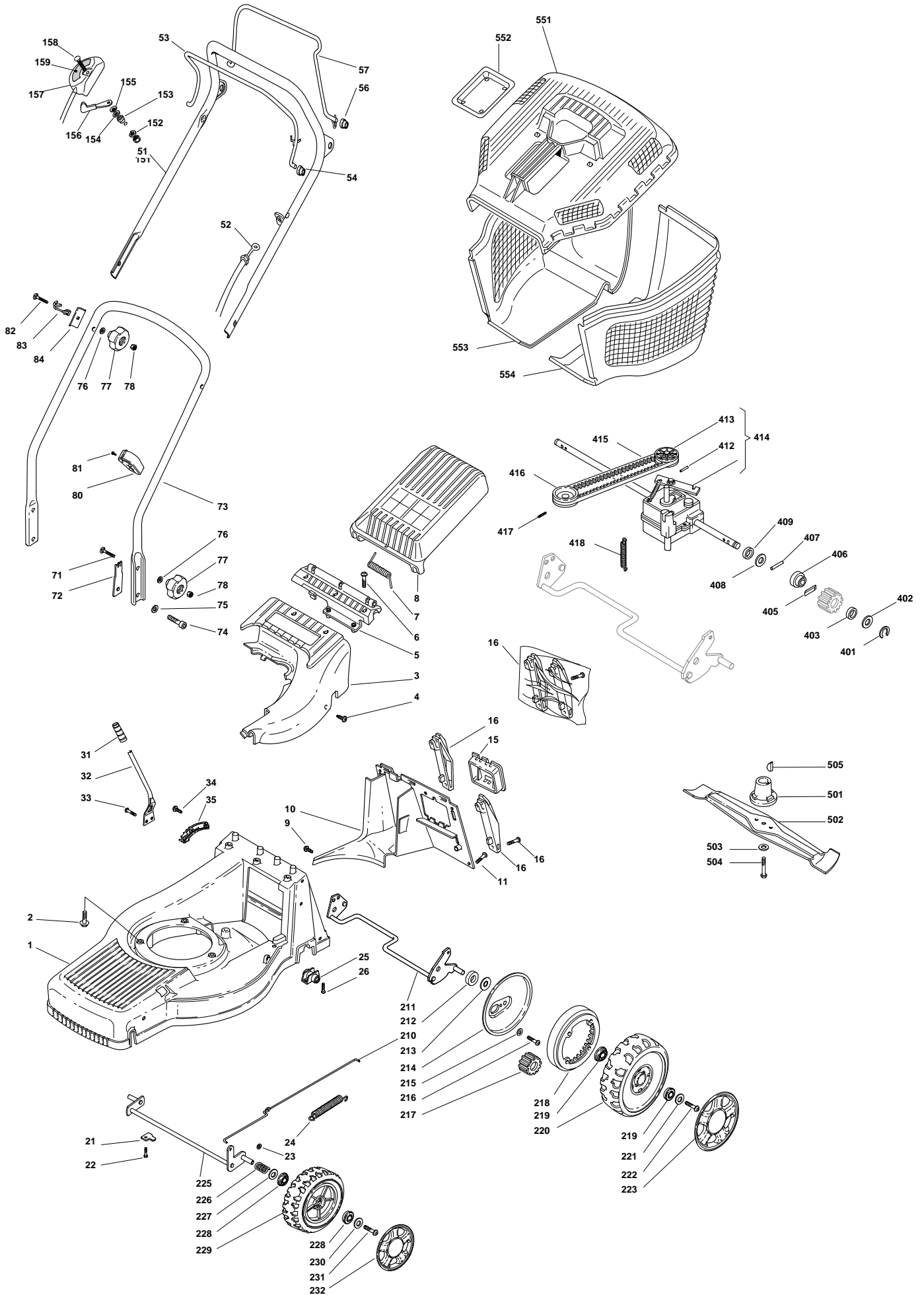
Illustrated Parts List

XAE 47 GS - Model Year 2008

- Use GLOBAL GARDEN PRODUCT Genuine Spare Parts specified in the parts list for repair and/or replacement.
- The contents described in the parts list may change due to improvement.
- The drawings of the spare parts are only indicative and might not represent the part in question exactly.
- The indications "right" - "left" - "front" - "rear" refer to the position of the operator when using the machine.
- When placing orders of parts for repair and/or replacement, make sure that the illustrated parts list is the one applying to the machine's year of manufacture, as shown on the identification plate attached to the machine.

COPYRIGHT by GLOBAL GARDEN PRODUCTS

All rights reserved. No part of this material may be reproduced or transmitted, in any form or by any means, electronic or mechanical, including photocopying, recording or by any information storage and retrieval system, without permission in writing from GLOBAL GARDEN PRODUCTS.





XAE 47 GS

XAE 47 GS - Model Year 2008

Pos.	Part no.	Q.ty	Description	Remarks
1	381002656/1	1	Deck Yellow	454
2	112735108/1	3	Screw	
3	22060151/0	1	Protection, Yellow	454
4	12728300/0	3	Screw	
5	22785178/0	1	Support, Black	454
6	12735664/0	3	Screw	
7	22450443/0	1	Spring	
8	22600079/0	1	Stone-Guard	454
9	12728300/0	1	Screw	
10	22108279/0	1	Rear Conveyor Assy	454
11	12735664/0	3	Screw	
15	22109531/0	1	Cover	
16	81008658/1	1	Outfit, Supports	
21	22545160/0	2	Plate	
22	12735664/0	2	Screw	
23	12604898/0	2	Crown Fastener	
24	22446181/0	1	Spring	
25	22785153/0	2	Support, Gear Box	
26	12735664/0	4	Screw	
31	22399808/0	1	Knob	
32	22321515/0	1	Lever, Height Adjustment	
33	12735661/0	2	Screw	
34	12728300/0	2	Screw	
35	22735563/0	1	Sector, Height Adjustment	
51	12820655/0	2	Screw	
51	81007024/0	1	Handle, Upper Part	
52	22551635/0	1	Plate For Handle	
52	81000756/0	1	Cable, Thread Engine Brake	454 (Ggp 150Cc)
53	22778405/0	2	Support	
53	81003291/3	1	Lever, Engine Brake	
54	22041966/0	2	Bush	
55	12521350/0	2	Washer	
55	22291050/0	1	Handgrip Black	
56	12521350/0	4	Washer	
56	22041965/1	2	Bush	
56	81002239/0	1	Box, Fabric	
57	22399810/0	4	Knob	
57	81003288/1	1	Lever, Driving	
58	12361005/0	4	Nut	
59	81006612/0	1	Handle, Lower Part	454
60	22192001/0	1	Anchor Clamp	
61	12728691/0	1	Screw	
62	12820655/0	2	Screw	
63	22430311/0	1	Guide Spring	
64	22545137/0	2	Plate For Handle Fastening	
151	12291000/0	1	Nut	.
152	12581500/0	1	Grower	.
153	22171005/0	1	Spacer	.
154	12521360/0	1	Washer	.
155	12508100/0	1	Spring Washer	.
156	81007220/0	1	Lever, Throttle	(B&S 450/500 Series - Ggp 150 Cc)
157	81007080/0	1	Throttle Cable	.
158	12815000/0	1	Screw	.
159	14356702/0	1	Label	(Ggp Engine - Honda)
210	22033321/0	1	Rod, Height Adjustment Control	454
211	81002841/0	1	Axle, Rear Wheels	454
212	22170815/0	2	Spacer	
213	22675100/0	2	Washer	
214	22600121/0	2	Protection, Wheel	
215	12521460/0	2	Washer	
216	12735662/0	2	Screw	
217	22570125/0	2	Pinion	
218	22120109/0	2	Ring Gear	



XAE 47 GS

XAE 47 GS - Model Year 2008

Pos.	Part no.	Q.ty	Description	Remarks
219	22122200/0	4	Bearing	
220	22686093/0	2	Wheel Ř 190	
221	12521460/0	2	Washer	
222	12735662/0	2	Screw	
223	22110382/0	2	Hub Cap	
225	81002843/0	1	Axle, Front Wheels	454
226	22430210/0	2	Spring	
227	12521370/0	2	Washer	
228	22122200/0	4	Bearing	
229	81007351/0	2	Wheel Ř 170	
230	12521460/0	2	Washer	
231	12735662/0	2	Screw	
232	22110381/0	2	Hub Cap	
401	12000957/0	2	Benzing	
402	12520032/0	2	Washer	
403	22160520/0	2	Dust Cover	
405	22076645/0	2	Key	
406	22170630/0	2	Spacer	
407	22753002/0	2	Pin	
408	12520032/0	2	Washer	
409	19035152/0	2	Or Ring	
412	12620310/0	1	Pin	
413	22601913/0	1	Pulley	
414	81003084/0	1	Gear Box	454
415	35063173/0	1	Belt Lp 730	454
416	22601918/0	1	Pulley, Crankshaft Ř 22.2	
417	12714312/0	1	Dowel	
418	22450434/0	1	Spring	
501	22465618/0	1	Hub, Crankshaft Ř 22.2	
502	81004131/0	1	Blade	454
503	12530140/0	1	Washer	
504	12735698/0	1	Screw	
505	12139100/0	1	Feather, Crankshaft Ř 22.2	
551	22486115/0	1	Grassbox Upper Part	454
552	22486098/0	1	Plate	
561	12521460/0	2	Washer	
562	12728300/0	2	Screw	
563	22608518/0	1	Stiffening Lower	454
564	81002239/0	1	Box, Fabric	454