



Green Passion

Illustrated Parts List

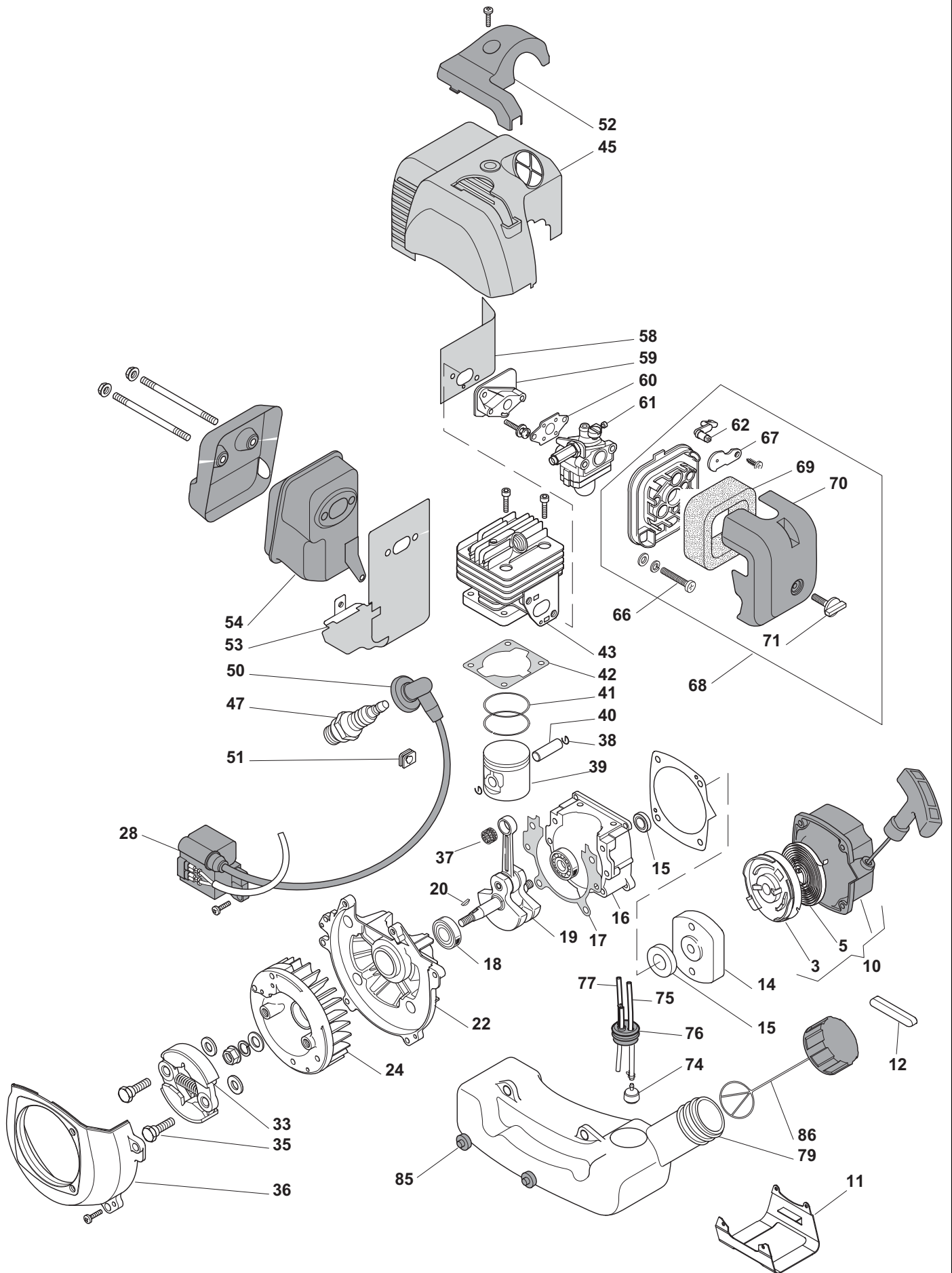
XB 34

Model Year 2011

- Use GLOBAL GARDEN PRODUCT Genuine Spare Parts specified in the parts list for repair and/or replacement.
- The contents described in the parts list may change due to improvement.
- The drawings of the spare parts are only indicative and might not represent the part in question exactly.
- The indications "right" - "left" - "front" - "rear" refer to the position of the operator when using the machine.
- When placing orders of parts for repair and/or replacement, make sure that the illustrated parts list is the one applying to the machine's year of manufacture, as shown on the identification plate attached to the machine.

COPYRIGHT by GLOBAL GARDEN PRODUCTS

All rights reserved. No part of this material may be reproduced or transmitted, in any form or by any means, electronic or mechanical, including photocopying, recording or by any information storage and retrieval system, without permission in writing from GLOBAL GARDEN PRODUCTS.

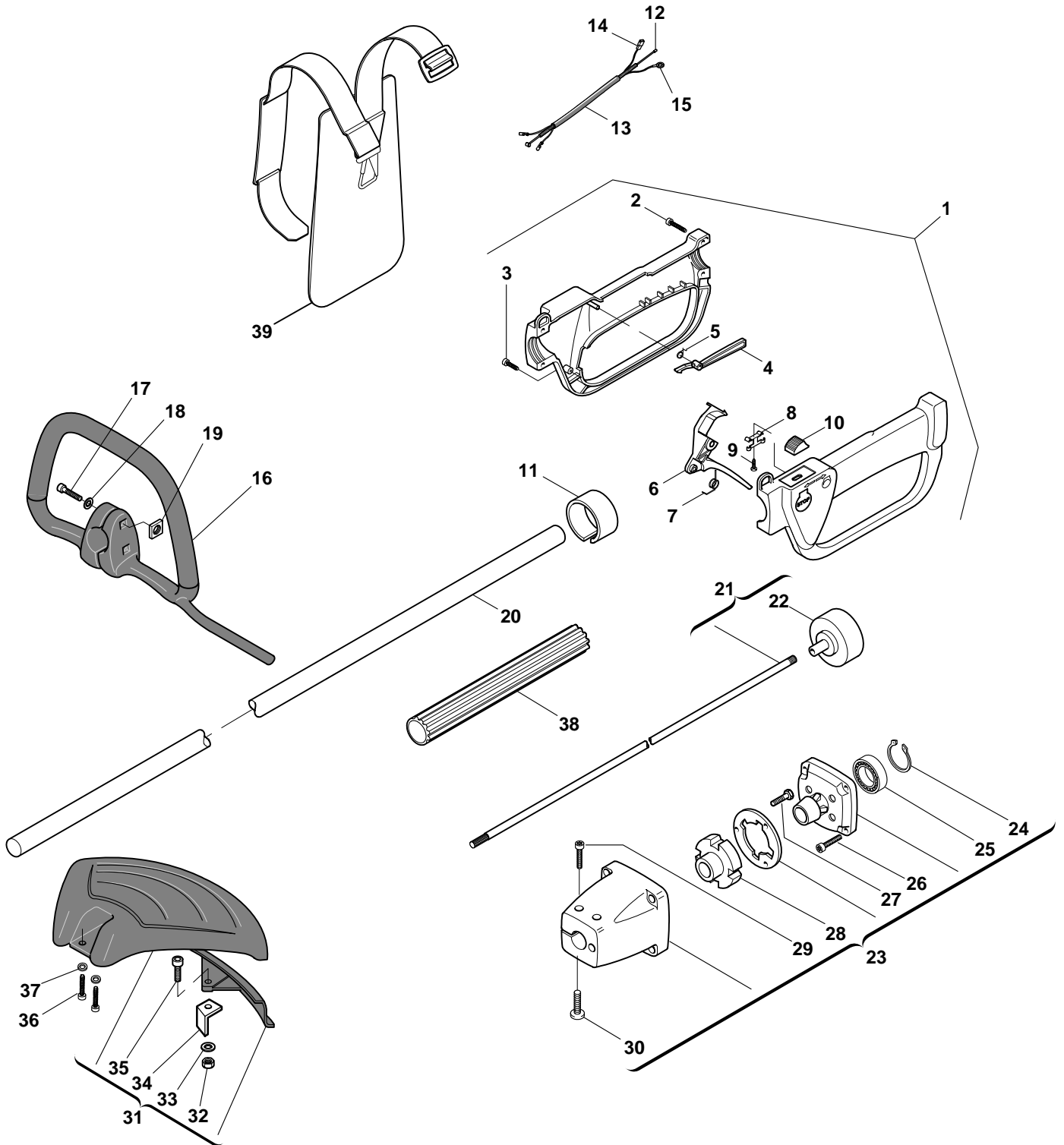




XB 34

Engine

| Pos. | Part no. | Q.ty | Description | Remarks |
|------|-------------|------|---------------------|---------|
| 3 | 123604007/0 | 1 | Starter Pulley | |
| 5 | 123430585/0 | 1 | Spring | |
| 10 | 183058041/0 | 1 | Starter Ass.Y | |
| 11 | 123784010/0 | 1 | Engine Support | |
| 12 | 123275034/0 | 1 | Grommet | |
| 14 | 183082004/0 | 1 | Starter Cup Ass.Y | |
| 15 | 119035159/0 | 2 | Seal Ring | |
| 16 | 123685026/0 | 1 | Crank Case | |
| 17 | 123280047/0 | 1 | Gasket | |
| 18 | 114215218/0 | 2 | Ball Bearing | |
| 19 | 123020025/0 | 1 | Crankshaft | |
| 20 | 123072002/0 | 1 | Key | |
| 22 | 123685027/0 | 1 | Crank Case | |
| 24 | 123880018/0 | 1 | Flywheel | |
| 28 | 123044018/0 | 1 | Electronic Coil | |
| 32 | 123430583/0 | 1 | Clutch Ass.Y | |
| 35 | 123878058/0 | 2 | Screw | |
| 36 | 123208422/0 | 1 | Transm.Support Case | |
| 37 | 123235007/0 | 1 | Needle Bearing | |
| 38 | 123202009/0 | 2 | Circlip | |
| 39 | 123590008/0 | 1 | Piston | |
| 40 | 123760007/0 | 1 | Piston Pin | |
| 41 | 123204010/0 | 2 | Piston Ring | |
| 42 | 123280045/0 | 1 | Cylinder Gasket | |
| 43 | 123071024/0 | 1 | Cylinder | |
| 45 | 123087026/0 | 1 | Cylinder Cover Red | |
| 47 | 3210024 | 1 | Spark Plug | |
| 50 | 123053002/0 | 1 | Spark Plug Cover | |
| 51 | 123275023/0 | 1 | Grommet | |
| 52 | 123109552/0 | 1 | Cover, Spark Plug | |
| 53 | 123280043/0 | 1 | Gasket | |
| 54 | 183740022/0 | 1 | Muffler | |
| 58 | 123280041/0 | 1 | Intake Manif-Gasket | |
| 59 | 123073509/0 | 1 | Intake Manifold | |
| 60 | 123280039/0 | 1 | Intake-Carb Gasket | |
| 61 | 123054026/1 | 1 | Carburettor | |
| 62 | 123315089/0 | 1 | Choke Lever | |
| 66 | 2132160 | 2 | Screw | |
| 67 | 123190000/0 | 1 | Shutter | |
| 68 | 183220003/0 | 1 | Air Filter | |
| 69 | 123220011/0 | 1 | Air Filter | |
| 70 | 123090026/0 | 1 | Air Cleaner Cover | |
| 71 | 123878056/0 | 1 | Knob | |
| 72 | 123275021/0 | 1 | Grommet | |
| 74 | 183520005/0 | 1 | Intake Filter | |
| 75 | 123867030/0 | 1 | Tube | |
| 77 | 123867031/0 | 1 | Tube | |
| 79 | 123733003/0 | 1 | Kit Fuel Tank | |
| 85 | 123280060/0 | 2 | Grommet | |
| 86 | 183790009/0 | 1 | Fuel Cap Assy | |

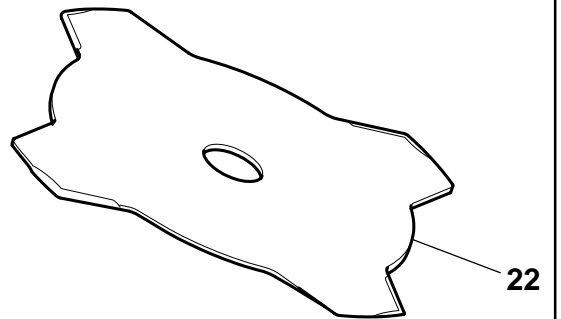
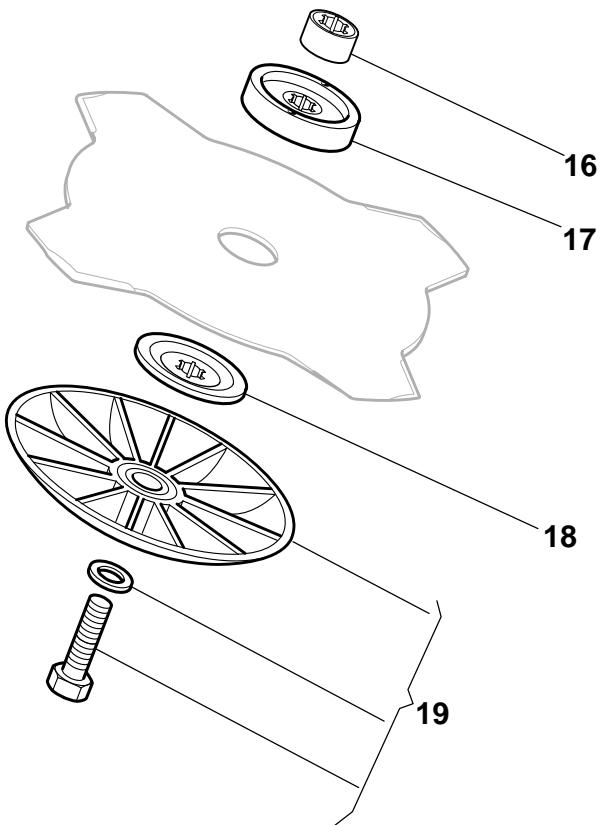
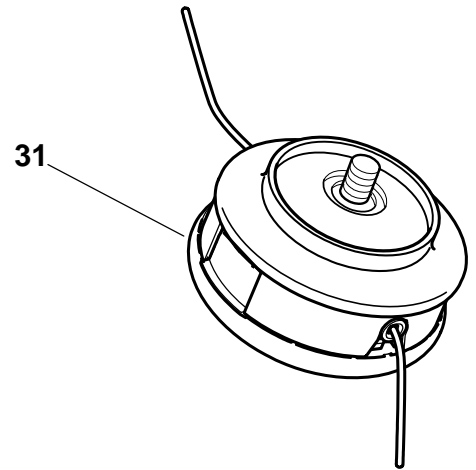
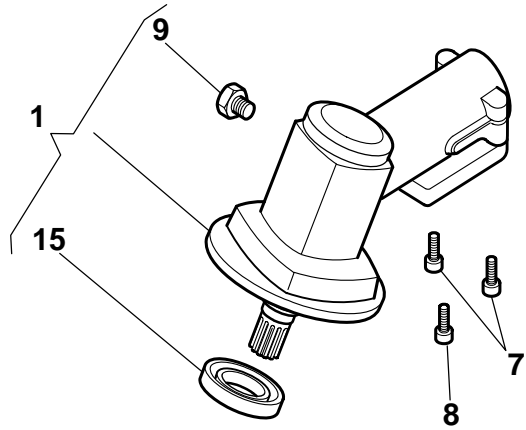




XB 34

Handle-transmission

| Pos. | Part no. | Q.ty | Description | Remarks |
|------|-------------|------|---------------------------------|---------|
| 1 | 8562620/1 | 1 | Handle Ass.Y (Incl.2-12) | |
| 2 | 2123030 | 4 | Screw | |
| 4 | 3743475 | 1 | Safety Lever | |
| 5 | 3654300 | 1 | Spring | |
| 6 | 3743465 | 1 | Throttle Lever | |
| 7 | 3654270/1 | 1 | Spring | |
| 8 | 3612710 | 1 | Stop Plate | |
| 9 | 2123070 | 1 | Screw | |
| 10 | 3749270 | 1 | Stop Knob | |
| 11 | 3749920 | 2 | Reduction | |
| 12 | 1L4252540/1 | 1 | Wire Ass.Y | |
| 12 | 4252540 | 1 | Wire Ass.Y | |
| 13 | 3786030 | 1 | Wire Sheath | |
| 14 | 123065022/0 | 1 | Coil-Switch Cable | |
| 15 | 3211120 | 1 | Earth Cable (Black) | |
| 16 | 23300001/0 | 1 | Front Handle | |
| 17 | 2135050 | 2 | Screw | |
| 18 | 2312090 | 2 | Washer | |
| 19 | 2461030 | 2 | Nut | |
| 20 | 8251201 | 1 | Trasmission Pipe Ass.Y | |
| 21 | 4251400 | 1 | Trasmission Shaft | |
| 22 | 4121861/1 | 1 | Clutch | |
| 23 | 8562960 | 1 | Support Trasm.Assy | |
| 24 | 3353080 | 1 | Seeger Ring | |
| 25 | 3112170 | 1 | Bearing | |
| 26 | 2135160 | 4 | Screw | |
| 27 | 2123030 | 4 | Screw | |
| 28 | 3744260 | 1 | Shock Absorber | |
| 29 | 2123110 | 2 | Screw | |
| 30 | 2123100 | 1 | Screw | |
| 31 | 8563570 | 1 | Safety Cover Ass.Y (Incl.40-43) | |
| 32 | 12154330/0 | 1 | Nut | |
| 33 | 2312150 | 1 | Washer | |
| 34 | 3615000 | 1 | Line Cutter | |
| 35 | 2135030 | 1 | Screw | |
| 36 | 2135060 | 2 | Screw | |
| 37 | 2312150 | 2 | Washer | |
| 38 | 23170000/0 | 1 | Spacer | |
| 39 | 4253460 | 1 | Harness | |





XB 34

Gear case

| Pos. | Part no. | Q.ty | Description | Remarks |
|------|-----------|------|---------------------|---------|
| 1 | 4252780/1 | 1 | Gear Case Assy | |
| 7 | 2135050 | 2 | Screw | |
| 8 | 2653090 | 1 | Screw | |
| 9 | 2653460 | 1 | Screw | |
| 15 | 3121170 | 1 | Oil Seal | |
| 16 | 3641700/1 | 1 | Collar | |
| 17 | 3641640 | 1 | Upper Ring Nut | |
| 18 | 3612640 | 1 | Lower Ring Nut | |
| 19 | 4560610 | 1 | Stabilizer | |
| 20 | 2321230 | 1 | Washer | |
| 21 | 2653170 | 1 | Screw | |
| 22 | 4611880 | 1 | 4 Teeth Disc 25 Cm | |
| 31 | 4353240/1 | 1 | 2 Hedges Nylon Head | |