



*Green Passion*

# Illustrated Parts List

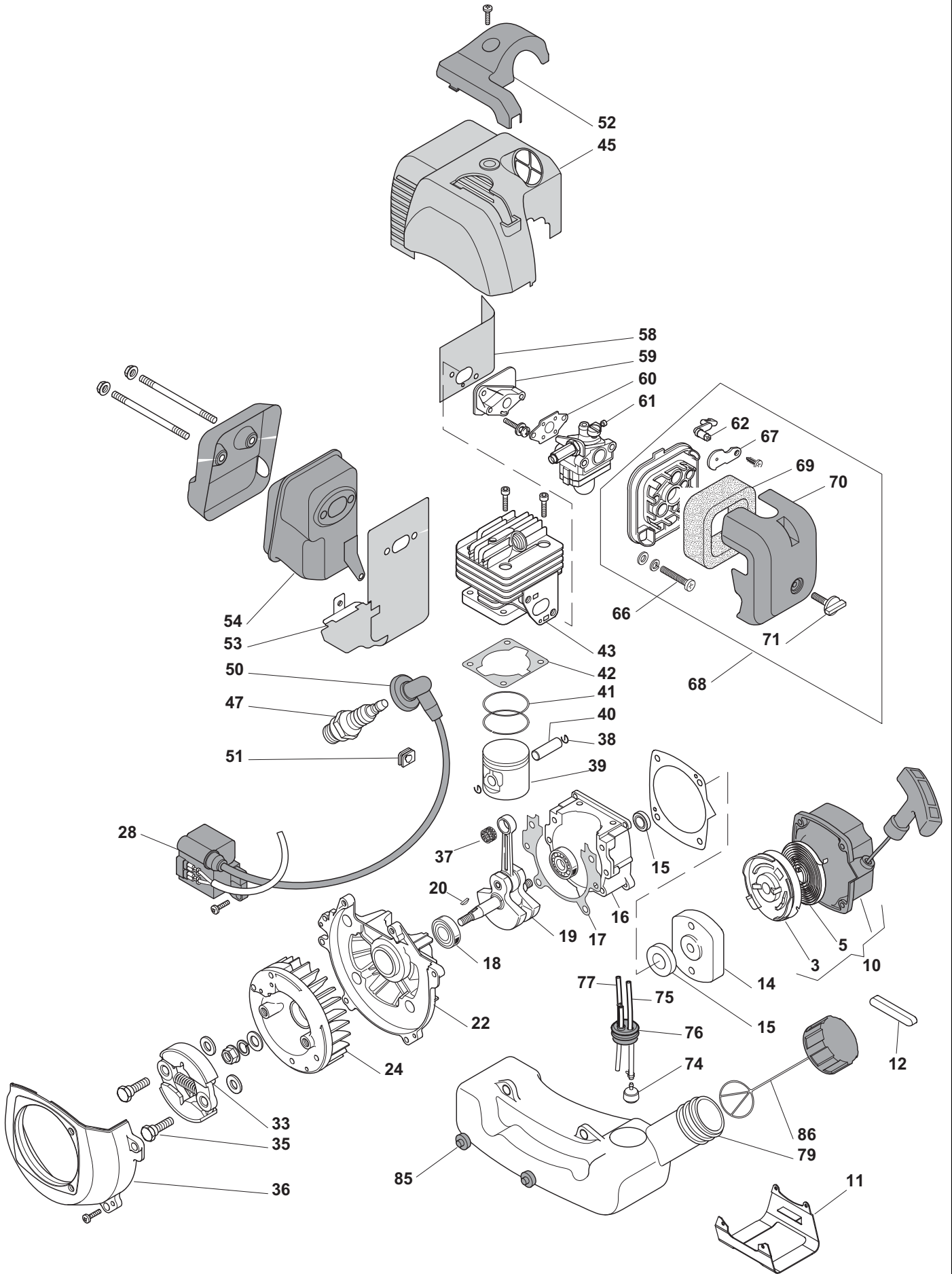
**XB 34 D**

**Model Year 2011**

- Use GLOBAL GARDEN PRODUCT Genuine Spare Parts specified in the parts list for repair and/or replacement.
- The contents described in the parts list may change due to improvement.
- The drawings of the spare parts are only indicative and might not represent the part in question exactly.
- The indications "right" - "left" - "front" - "rear" refer to the position of the operator when using the machine.
- When placing orders of parts for repair and/or replacement, make sure that the illustrated parts list is the one applying to the machine's year of manufacture, as shown on the identification plate attached to the machine.

COPYRIGHT by GLOBAL GARDEN PRODUCTS

All rights reserved. No part of this material may be reproduced or transmitted, in any form or by any means, electronic or mechanical, including photocopying, recording or by any information storage and retrieval system, without permission in writing from GLOBAL GARDEN PRODUCTS.

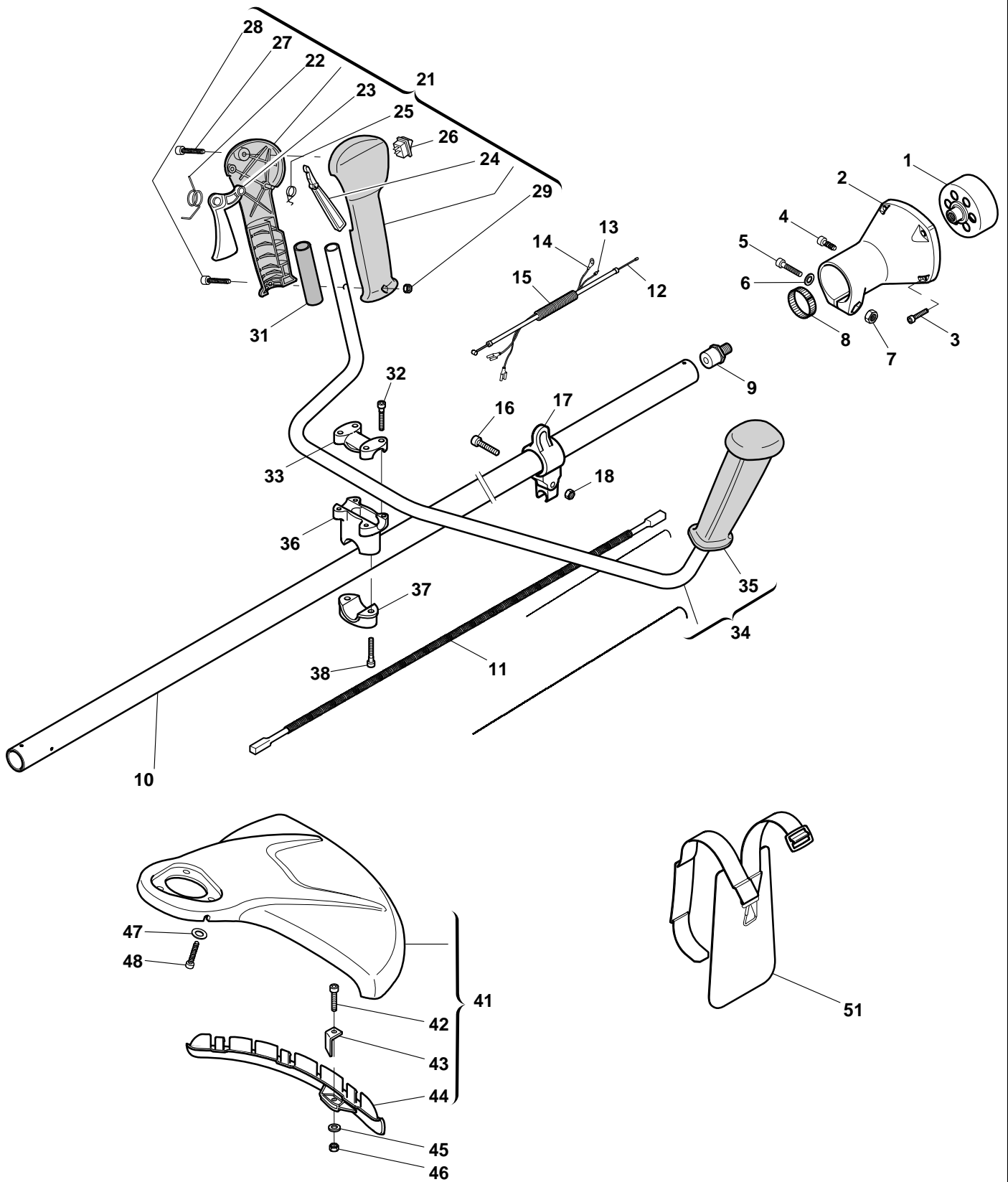




XB 34 D

**Engine**

Pos.	Part no.	Q.ty	Description	Remarks
3	123604007/0	1	Starter Pulley	
5	123430585/0	1	Spring	
10	183058041/0	1	Starter Ass.Y	
11	123784010/0	1	Engine Support	
12	123275034/0	1	Grommet	
14	183082004/0	1	Starter Cup Ass.Y	
15	119035159/0	2	Seal Ring	
16	123685026/0	1	Crank Case	
17	123280047/0	1	Gasket	
18	114215218/0	2	Ball Bearing	
19	123020025/0	1	Crankshaft	
20	123072002/0	1	Key	
22	123685027/0	1	Crank Case	
24	123880018/0	1	Flywheel	
28	123044018/0	1	Electronic Coil	
32	123430583/0	1	Clutch Ass.Y	
35	123878058/0	2	Screw	
36	123208422/0	1	Transm.Support Case	
37	123235007/0	1	Needle Bearing	
38	123202009/0	2	Circlip	
39	123590008/0	1	Piston	
40	123760007/0	1	Piston Pin	
41	123204010/0	2	Piston Ring	
42	123280045/0	1	Cylinder Gasket	
43	123071024/0	1	Cylinder	
45	123087026/0	1	Cylinder Cover Red	
47	3210024	1	Spark Plug	
50	123053002/0	1	Spark Plug Cover	
51	123275023/0	1	Grommet	
52	123109552/0	1	Cover, Spark Plug	
53	123280043/0	1	Gasket	
54	183740022/0	1	Muffler	
58	123280041/0	1	Intake Manif-Gasket	
59	123073509/0	1	Intake Manifold	
60	123280039/0	1	Intake-Carb Gasket	
61	123054026/1	1	Carburettor	
62	123315089/0	1	Choke Lever	
66	2132160	2	Screw	
67	123190000/0	1	Shutter	
68	183220003/0	1	Air Filter	
69	123220011/0	1	Air Filter	
70	123090026/0	1	Air Cleaner Cover	
71	123878056/0	1	Knob	
72	123275021/0	1	Grommet	
74	183520005/0	1	Intake Filter	
75	123867030/0	1	Tube	
77	123867031/0	1	Tube	
79	123733003/0	1	Kit Fuel Tank	
85	123280060/0	2	Grommet	
86	183790009/0	1	Fuel Cap Assy	

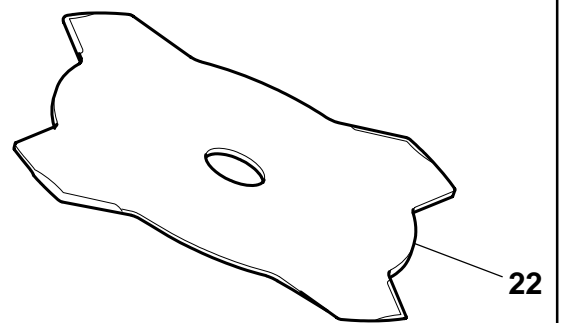
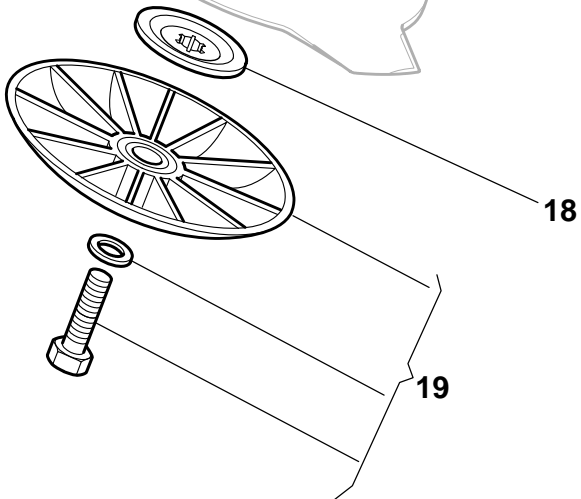
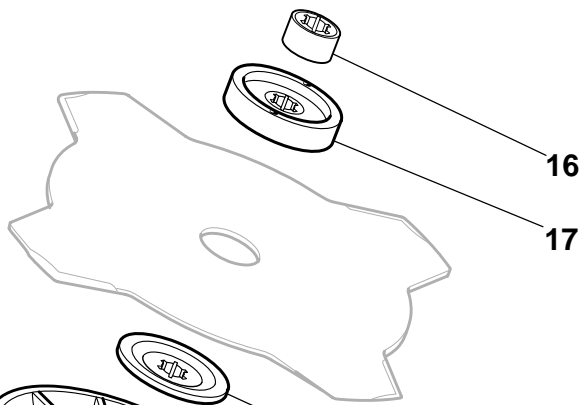
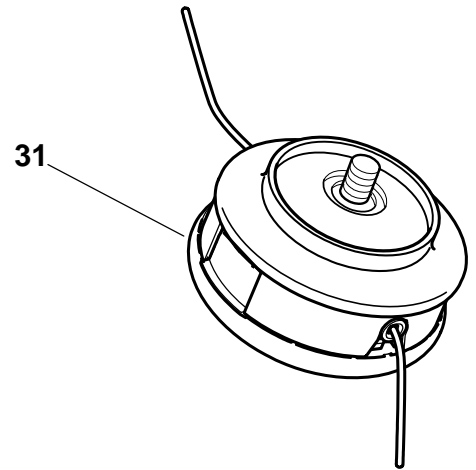
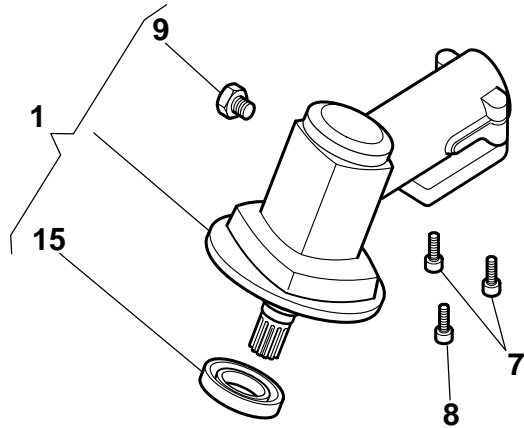




XB 34 D

**Handle-transmission**

Pos.	Part no.	Q.ty	Description	Remarks
1	83050004/0	1	Drum Ass'Y, Clutch	
2	23782004/0	1	Support Trasm.Assy	
3	2135160	4	Screw	
4	2653090	1	Screw	
5	2135150	1	Screw	
6	2312010	1	Washer	
7	2412020	1	Nut	
8	23655002/0	2	Reduction	
9	23445258/0	1	Bearing Hub	
10	83869052/0	1	Trasmission Pipe Ass.Y	
11	23020009/0	1	Transmission Shaft Ass.Y	
12	123066014/0	1	Wire Ass.Y	
13	23065002/0	1	Coil-Switch Cable	
14	3211600/1	1	Earth Cable (Black)	
15	3786240	1	Wire Sheath	
16	2135040	1	Screw	
17	23780000/0	1	Harness Support	
18	2412030	1	Nut	
21	8563830	1	Handle Ass.Y	
22	3654270/1	1	Spring	
23	3743431/1	1	Throttle Lever	
24	3743441	1	Safety Lever	
25	3654280/1	1	Spring	
26	3210970	1	Stop Switch	
27	2123030	1	Screw	
28	2135050	1	Screw	
29	12154330/0	1	Nut	
31	23655001/0	1	Reduction	
32	2135060	4	Screw	
33	4541500/1	1	Upper Handgrip Support	
34	83394003/0	1	Handle Ass.Y	
35	23395050/0	1	Left Handle	
36	4541490/1	1	Handle Support	
37	4541510	1	Lower Handgrip Support	
38	2135050	2	Screw	
41	83465003/0	1	Safety Cover Ass.Y	
42	2135030	1	Screw	
43	3615000	1	Line Cutter	
44	23600051/0	1	Protection	
45	2312150	1	Washer	
46	2432040	1	Nut	
47	2312150	3	Washer	
48	2135180	3	Screw	
51	4253460	1	Harness	





XB 34 D

**Gear case**

Pos.	Part no.	Q.ty	Description	Remarks
1	4252780/1	1	Gear Case Assy	
7	2135050	2	Screw	
8	2653090	1	Screw	
9	2653460	1	Screw	
15	3121170	1	Oil Seal	
16	3641700/1	1	Collar	
17	3641640	1	Upper Ring Nut	
18	3612640	1	Lower Ring Nut	
19	4560610	1	Stabilizer	
20	2321230	1	Washer	
21	2653170	1	Screw	
22	4611880	1	4 Teeth Disc 25 Cm	
31	4353240/1	1	2 Hedges Nylon Head	