



Green Passion

Illustrated Parts List

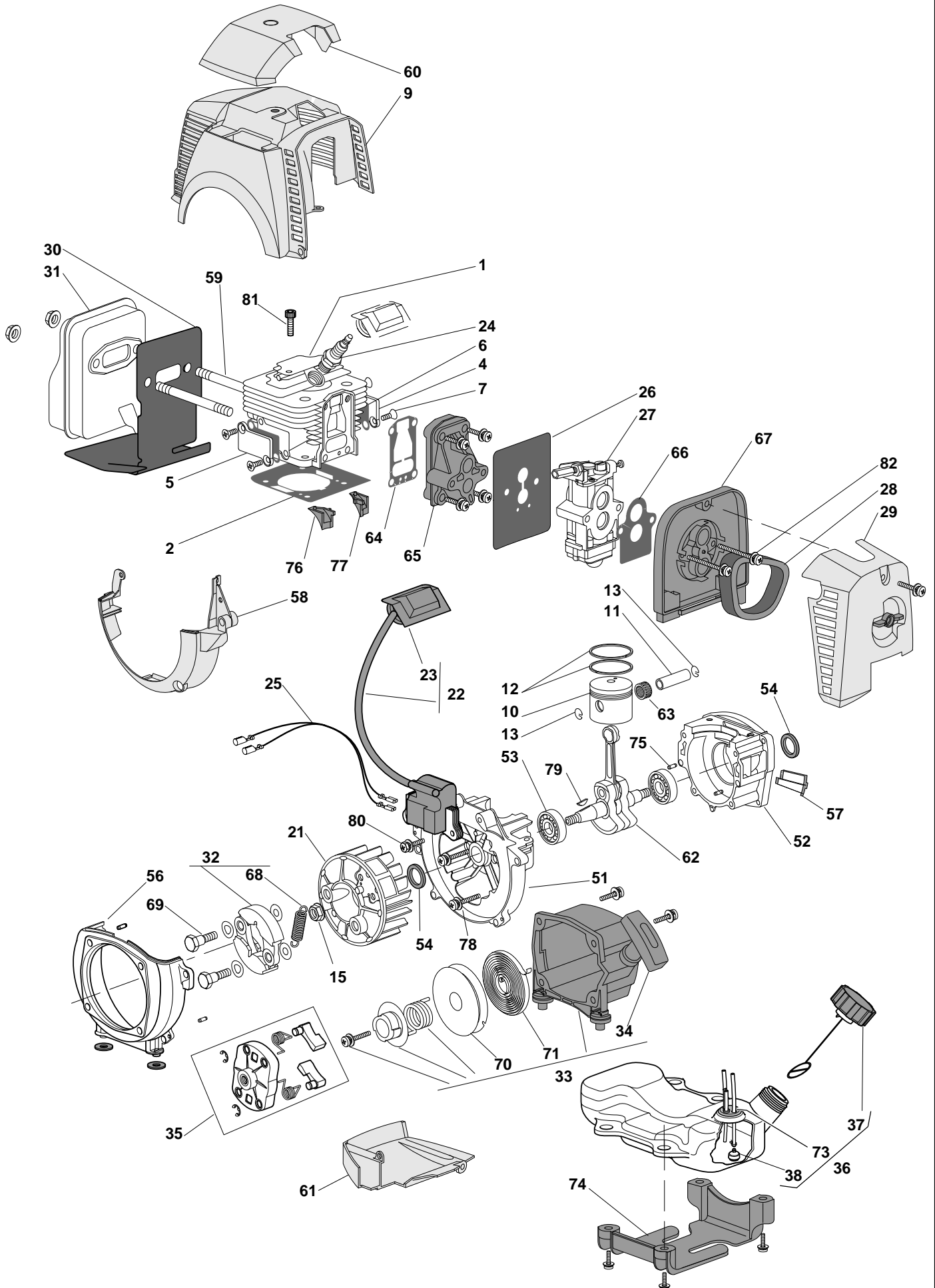
XB 43 DS

Model Year 2011

- Use GLOBAL GARDEN PRODUCT Genuine Spare Parts specified in the parts list for repair and/or replacement.
- The contents described in the parts list may change due to improvement.
- The drawings of the spare parts are only indicative and might not represent the part in question exactly.
- The indications "right" - "left" - "front" - "rear" refer to the position of the operator when using the machine.
- When placing orders of parts for repair and/or replacement, make sure that the illustrated parts list is the one applying to the machine's year of manufacture, as shown on the identification plate attached to the machine.

COPYRIGHT by GLOBAL GARDEN PRODUCTS

All rights reserved. No part of this material may be reproduced or transmitted, in any form or by any means, electronic or mechanical, including photocopying, recording or by any information storage and retrieval system, without permission in writing from GLOBAL GARDEN PRODUCTS.

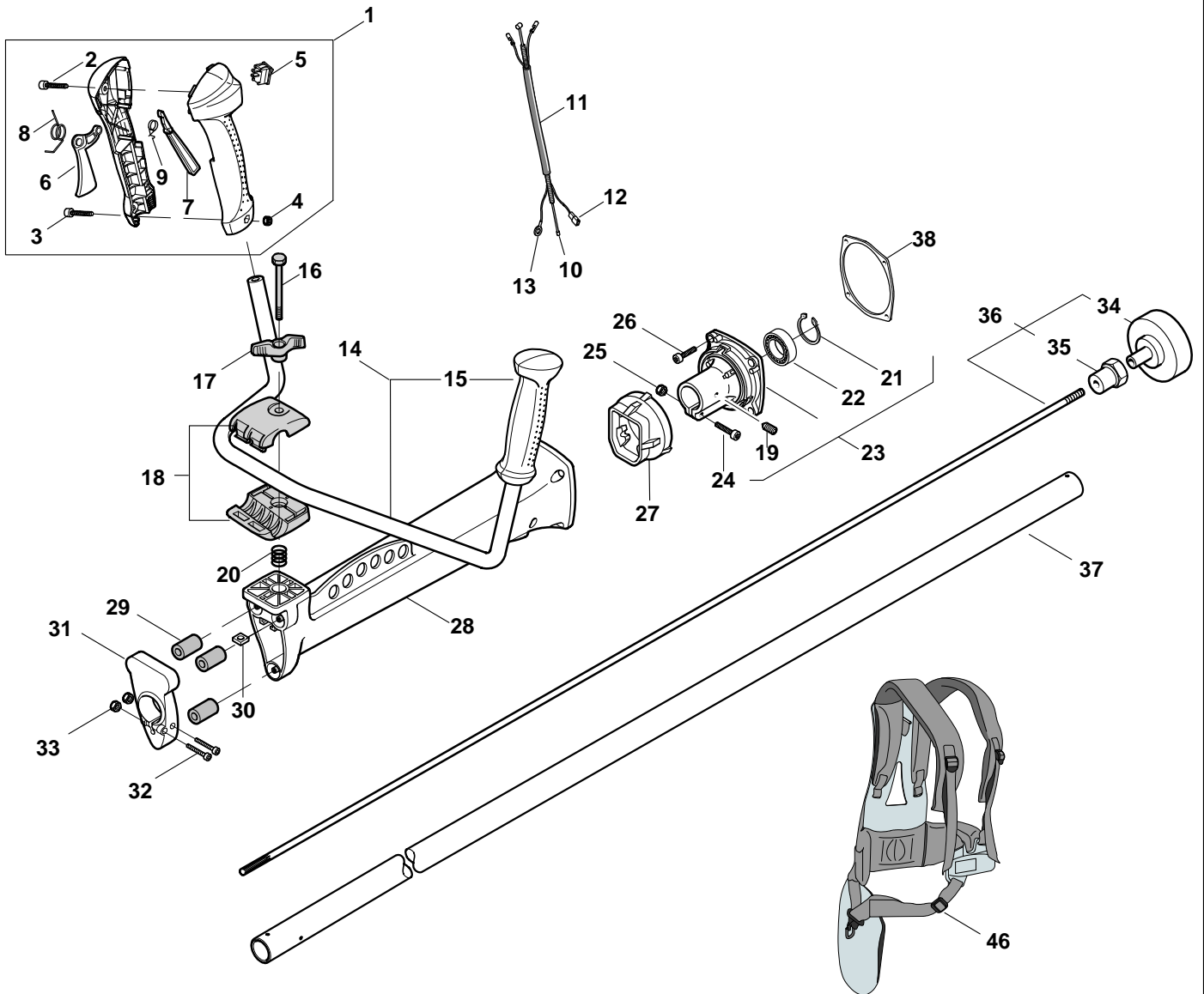




XB 43 DS

Engine

Pos.	Part no.	Q.ty	Description	Remarks
1	123071012/0	1	Cylinder	
2	123280051/0	1	Cylinder Gasket	
4	123109547/0	1	Cover	
5	123109548/0	1	Cover	
6	123280035/0	2	Gasket	
7	123878054/0	4	Screw	
9	323106030/0	1	Red Cylinder Cover	
10	123590006/0	1	Piston	
11	123760003/0	1	Piston Pin	
12	123204008/0	2	Piston Ring	
13	123202004/0	2	Washer, Piston Pin	
15	123120005/0	1	Nut	
21	123880007/0	1	Flywheel	
22	123044013/0	1	Electronic Coil	
23	323053003/0	1	Spark Plug Cover	
24	3210024	1	Spark Plug	
25	183065029/0	1	Earth Cable	
26	123280054/0	1	Intake-Carb Gasket	
27	123054031/0	1	Carburettor	
28	123220009/0	1	Air Filter	
29	183090012/0	1	Filter Cover, Red	
30	123280049/0	1	Gasket	
31	183740015/0	1	Muffler	
32	183215006/0	1	Clutch Ass.Y	
33	183058036/0	1	Starter Ass.Y	
34	123300007/0	1	Starter Handle	
35	123082004/0	1	Starter Cup Ass.Y	
36	183733007/0	1	Fuel Tank Ass.Y	
37	183790008/0	1	Cap Ass'Y, Fuel Tank	
38	183520004/0	1	Intake Filter	
51	123685009/0	1	Crank Case	
52	123685008/0	1	Crank Case	
53	114215217/0	2	Bearing	
54	119035160/0	1	Seal Ring	
55	119035161/0	1	Seal Ring	
56	123208411/0	1	Transm.Support Case	
57	123109561/0	1	Cover	
58	323109567/0	1	Case, Red	
59	123878062/0	2	Double-Screw Bolt	
60	323109564/0	1	Red Cover, Spark Plug	
61	323600067/0	1	Lower Guard, Red	
62	123020028/0	1	Crankshaft	
63	123235005/0	1	Needle Bearing	
64	123280053/0	1	Intake Manif-Gasket	
65	123073511/0	1	Intake Manifold	
66	123280055/0	1	Gasket	
67	123040001/0	1	Air Cleaner Base	
68	123430587/0	1	Spring	
69	123878060/0	2	Screw	
70	123604009/0	1	Starter Pulley	
71	123430590/0	1	Spring	
73	123275022/0	1	Grommet Ass.Y	
74	123784007/0	1	Guard	
75	123753002/0	2	Centring Pin	
76	123294004/0	1	Guide	
77	123294005/0	1	Guide	
78	123878068/0	4	Screw	
79	123072003/0	1	Flywheel Key	
80	123878064/0	2	Screw	
81	123878063/0	4	Screw	
82	123878065/0	2	Screw	

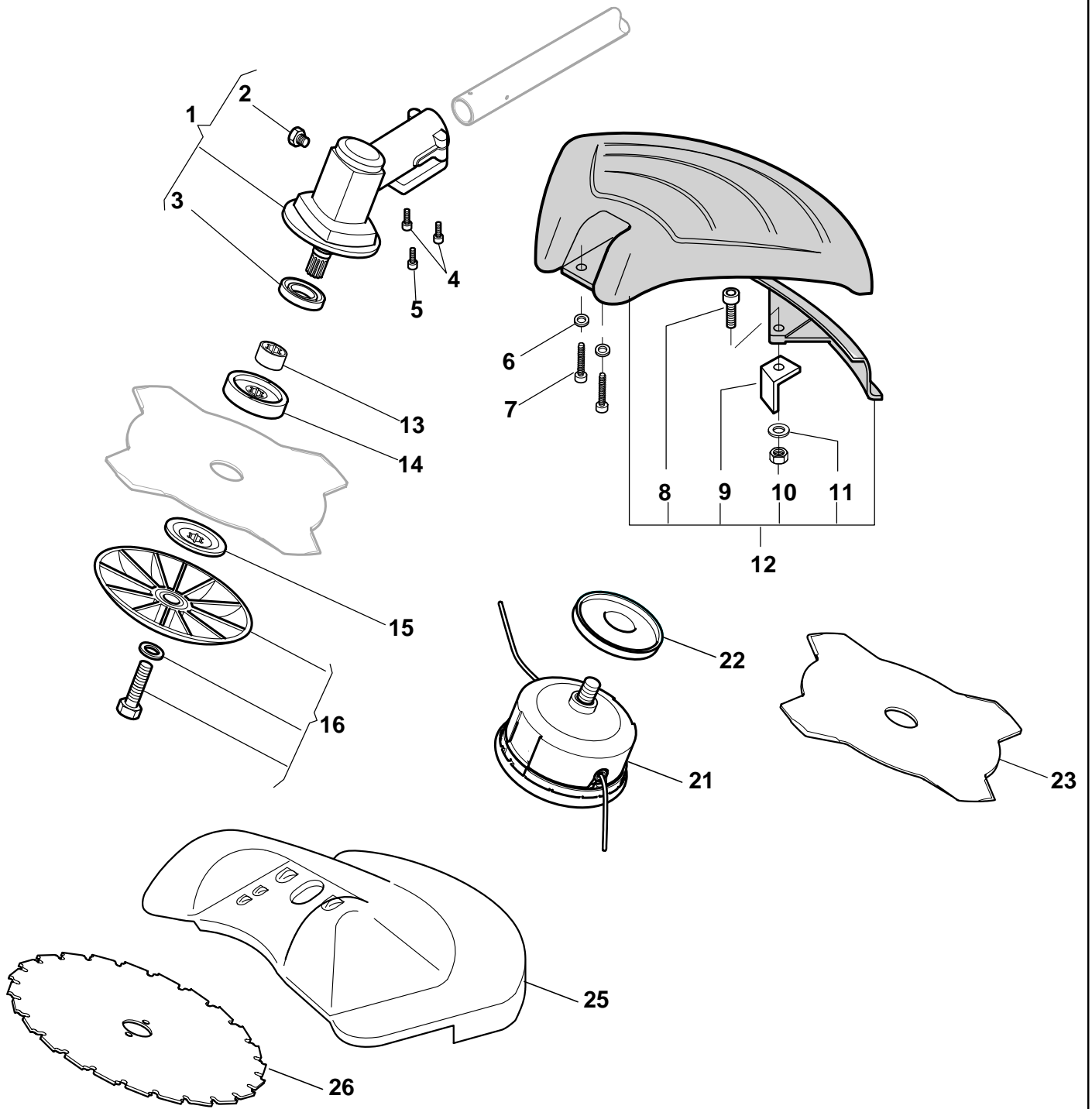




XB 43 DS

Handle-transmission

Pos.	Part no.	Q.ty	Description	Remarks
1	383300021/0	1	Handle Ass.Y (Incl.2-9)	
2	2123030	1	Screw	
3	2135050	1	Screw	
4	12154330/0	1	Nut	
5	3210970	1	Stop Switch	
6	323315083/0	1	Throttle Lever	
7	323315084/0	1	Safety Lever	
8	3654270/1	1	Spring	
9	3654280/1	1	Spring	
10	123066021/0	1	Wire Ass.Y	
11	3786220	1	Wire Sheath	
12	123065031/0	1	Coil-Switch Cable (Red)	
13	123065032/0	1	Earth Cable (Black)	
14	383394009/0	1	Handle	
15	323395053/0	1	Left Knob	
16	2112580	1	Screw	
17	3750480	1	Wing Nut	
18	8521070	1	Handgrip Support Ass.Y	
19	2126050	1	Screw	
20	3654530	1	Spring	
21	3353080	1	Seeger Ring	
22	3112170	1	Bearing	
23	8521000/1	1	Transmission Hub Ass.Y Ø 28	
24	2135150	1	Screw	
25	2432030	1	Nut	
26	2135160	4	Screw	
27	3L3744330/1	1	Rear Shock Absorber	
28	4563850/2	1	Transmission Housing	
29	3744320	3	Front Shock Absorber	
30	3615190	1	Handle Fixing Plate	
31	4563861	1	Front Housing Support Ø 28	
32	2135060	2	Screw	
33	12154330/0	2	Nut	
34	4121861/1	1	Clutch	
35	3642191	1	Bearing Hub	
36	4251400	1	Trasmission Shaft	
37	4251724	1	Trasmission Pipe Ass.Y Ø 28	
38	323208406/0	1	Flange	
41	123046002/0	1	Harness	





XB 43 DS

Gear case

Pos.	Part no.	Q.ty	Description	Remarks
1	4252790/1	1	Gear Case Assy Ø28	
2	2653460	1	Screw	
3	3121170	1	Oil Seal	
4	2135050	2	Screw	
5	2653090	1	Screw	
6	2312150	2	Washer	
7	2135060	2	Screw	
8	2135030	1	Screw	
9	3615000	1	Line Cutter	
10	12154330/0	1	Nut	
11	2312150	1	Washer	
12	8563570	1	Safety Cover Ass.Y (Incl.40-43)	
13	3641700/1	1	Collar	
14	3641640	1	Upper Ring Nut	
15	3612640	1	Lower Ring Nut	
16	4560610	1	Stabilizer	
21	3L4353000/1	1	2 Hedges Nylon Head Profi	
22	3614950	1	Plate	
23	4611880	1	4 Teeth Disc 25 Cm	
25	4562847	1	Guard	
26	6031185	1	24 Teeth Disc 25 Cm	