

Genuine Spare Parts

Catalogo delle parti di ricambio
Spare parts catalogue
Catalogue des pieces de rechange
Ersatzteilkatalog

2003

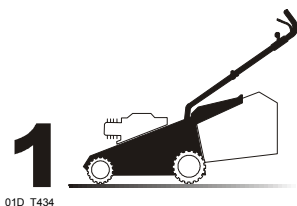
- Use GLOBAL GARDEN PRODUCT Genuine Spare Parts specified in the parts list for repair and/or replacement.
- The contents described in the parts list may change due to improvement.
- The drawings of the spare parts are only indicative and might not represent the part in question exactly.
- The indications "right" - "left" - "front" - "rear" refer to the position of the operator when using the machine.
- When placing orders of parts for repair and/or replacement, make sure that the illustrated parts list is the one applying to the machine's year of manufacture, as shown on the identification plate attached to the machine.

COPYRIGHT by GLOBAL GARDEN PRODUCTS

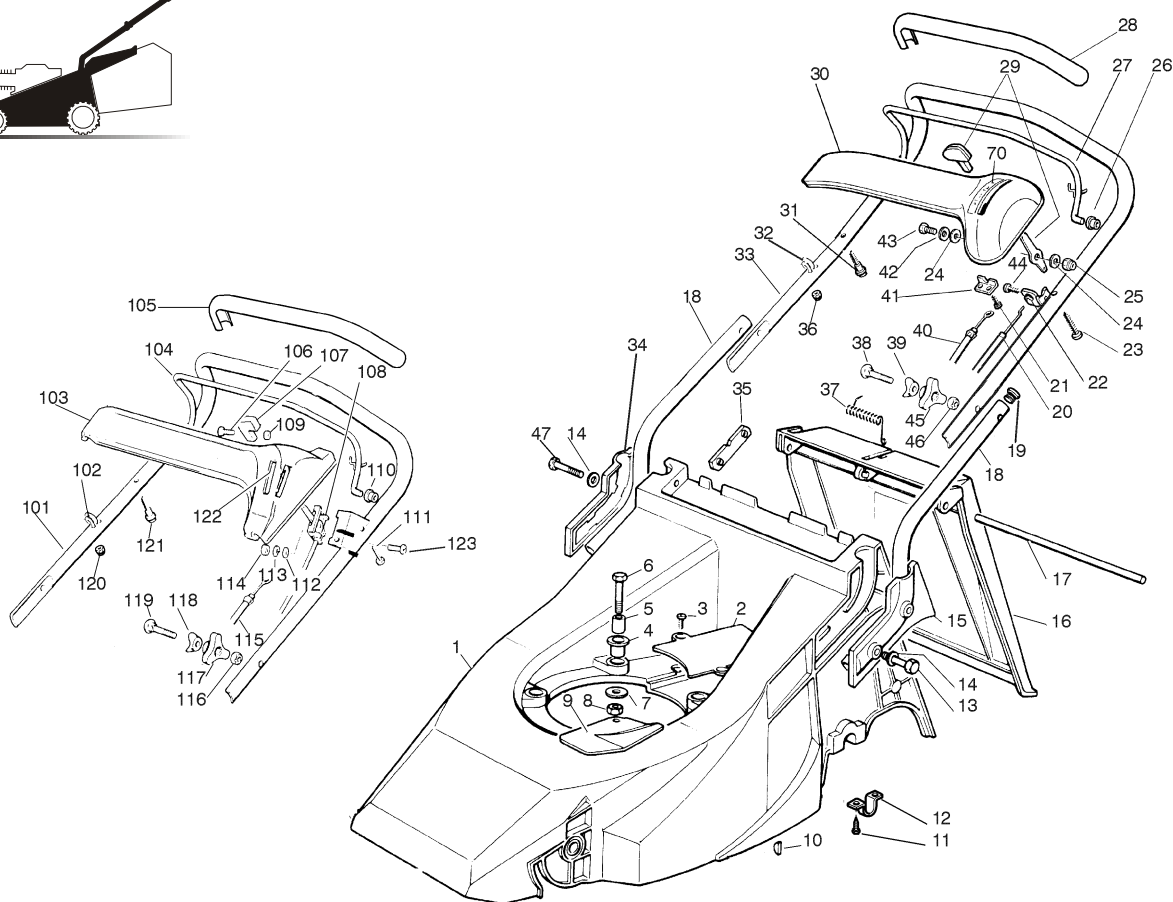
All rights reserved. No part of this material may be reproduced or transmitted, in any form or by any means, electronic or mechanical, including photocopying, recording or by any information storage and retrieval system, without permission in writing from GLOBAL GARDEN PRODUCTS.



GLOBAL GARDEN PRODUCTS



01D_T434



01T.040

| Pos. | Code | Q.ty | Descrizione | Description | Description | Beschreibung | Remarks |
|------|------------|------|----------------------|----------------------|--------------------------------|-----------------------|---------|
| 1 | 81001415/1 | 1 | CHASSIS ROSSO | DECK RED | CHÂSSIS ROUGE | GEHÄUSE ROTES | (T 434) |
| - | 81001417/1 | 1 | CHASSIS GIALLO | DECK YELLOW | CHÂSSIS JAUNE | GEHÄUSE GELBES | (T 434) |
| - | 81001421/1 | 1 | CHASSIS VERDE | DECK GREEN | CHÂSSIS VERT | GEHÄUSE GRÜNES | (T 434) |
| - | 81001416/2 | 1 | CHASSIS ROSSO | DECK RED | CHÂSSIS ROUGE | GEHÄUSE ROTES | (T 484) |
| - | 81001418/2 | 1 | CHASSIS GIALLO | DECK YELLOW | CHÂSSIS JAUNE | GEHÄUSE GELBES | (T 484) |
| - | 81001422/2 | 1 | CHASSIS VERDE | DECK GREEN | CHÂSSIS VERT | GEHÄUSE GRÜNES | (T 484) |
| 2 | 22060171/0 | 1 | CARTER CINGHIA | PROTECTION, BELT | PROTECTION COURROIRE | SCHUTZ, RIEMEN | (T 434) |
| - | 22060172/0 | 1 | CARTER CINGHIA | PROTECTION, BELT | PROTECTION COURROIRE | SCHUTZ, RIEMEN | (T 484) |
| 3 | 12728680/0 | 2 | VITE | SCREW | VIS | SCHRAUBE | |
| 4 | 22040265/0 | 3 | BUSSOLA | BUSH | DOUILLE | BUCHSE | |
| 5 | 22167840/0 | 3 | DISTANZIALE | SPACER | ENTRETOISE | DISTANZRING | |
| 6 | 12691800/0 | 3 | VITE | SCREW | VIS | SCHRAUBE | |
| 7 | 12523070/0 | 3 | RONDELLA | WASHER | RONDELLE | SCHEIBE | |
| 8 | 12155000/0 | 3 | DADO | NUT | ECROU | MUTTER | |
| 9 | 22484070/0 | 1 | PARACALORE | MUFFLER GUARD | GRILLE DE PROTECTION | SCHUTZABDECKUNG | |
| 10 | 12139100/0 | 1 | LINGUETTA | FEATHER | CLAVETTE | KEIL | |
| 11 | 12735402/0 | 4 | VITE | SCREW | VIS | SCHRAUBE | |
| 12 | 22545152/0 | 2 | PIASTRINA | PLATE | PLAQUETTE | PLATTE | |
| 13 | 12691900/0 | 2 | VITE | SCREW | VIS | SCHRAUBE | |
| 14 | 12521350/0 | 4 | RONDELLA | WASHER | RONDELLE | SCHEIBE | |
| 15 | 22600043/0 | 1 | PROT. MANICO SX | PROTECTION, L HANDLE | PROTECTION MANCHERON G | SCHUTZ, LINKERHOLM | |
| 16 | 22600023/2 | 1 | PARASASSI | STONE-GUARD | PARE-PIERRES | PRALLBLECH | |
| 17 | 22517907/0 | 1 | PERNO | PIN | PIVOT | BOLZEN | |
| 18 | 81006917/0 | 2 | MANICO, PARTE INF SX | HANDLE, L LOWER PART | MANCHERON, PARTIE INFERIEURE G | HOLM, LINKE UNTERTEIL | |
| 19 | 18566110/0 | 2 | PUNTALE | CAP | BOUCHON | GUMMISTOPFEN | |



GLOBAL GARDEN PRODUCTS

01T.040

| Pos. | Code | Q.ty | Descrizione | Description | Description | Beshreibung | Remarks |
|------|------------|------|-----------------------------|----------------------------|------------------------------|-------------------------|---------------------------|
| 20 | 81007160/0 | 1 | CAVO ACCELERATORE | CABLE, TROTTLE | CABLE, ACCELERATEUR | KABLE, BESCHLEUNIGER | |
| 21 | 12735105/0 | 2 | VITE | SCREW | VIS | SCHRAUBE | |
| 22 | 22806612/0 | 1 | SUPPORTO | SUPPORT | SUPPORT | HALTER | |
| 23 | 12728460/0 | 1 | VITE | SCREW | VIS | SCHRAUBE | |
| 24 | 12523040/0 | 2 | RONDELLA | WASHER | RONDELLE | SCHEIBE | |
| 25 | 12154510/0 | 1 | DADO | NUT | ECROU | MUTTER | |
| 26 | 22041966/0 | 2 | BUSSOLA | BUSH | DOUILLE | BUCHSE | |
| 27 | 81003291/2 | 1 | LEVA FRENO MOTORE | LEVER, MOTOR BRAKE | LEVIER FREIN MOTEUR | HEBEL, MOTORBREMSE | |
| 28 | 22291050/0 | 1 | IMPUGNATURA MANICO NERA | HANDGRIP BLACK | POIGNÉE NOIRE | HANDGRIFF SCHWARZER | |
| - | 22291051/0 | 1 | IMPUGNATURA MANICO ROSSA | HANDGRIP RED | POIGNÉE ROUGE | HANDGRIFF RÖTER | |
| - | 22291052/0 | 1 | IMPUGNATURA MANICO GIALLA | HANDGRIP YELLOW | POIGNÉE JAUNE | HANDGRIFF GELBER | |
| 29 | 81007280/2 | 1 | LEVA, ACCELERATORE | LEVER, THROTTLE | LEVIER, ACCELERATEUR | HEBEL, BESHLEUNIGER | |
| 30 | 22120152/0 | 1 | CRUSCOTTO GIALLO | DASH BOARD YELLOW | CONSOLE JAUNE | KONSOLE GELBE | |
| - | 22120154/0 | 1 | CRUSCOTTO ROSSO | DASH BOARD RED | CONSOLE ROUGE | KONSOLE ROTE | |
| - | 22120158/0 | 1 | CRUSCOTTO NERO | DASH BOARD BLACK | CONSOLE NOIRE | KONSOLE SCHWARZE | |
| 31 | 22943006/0 | 1 | VITE | SCREW | VIS | SCHRAUBE | |
| 32 | 22430309/0 | 1 | MOLLA GUIDA | GUIDE SPRING | RESSORT DE GUIDE | FEDER FÜHRER | |
| 33 | 81006855/0 | 1 | MANICO, PARTE SUP | HANDLE, UPPER PART | MANCHERON, PARTIE SUPERIEURE | HOLM, OBERTEIL | |
| 34 | 22600042/0 | 1 | PROT. MANICO DX | PROTECTION, R HANDLE | PROTECTION MANCHERON D | SCHUTZ, RECHTERHOLM | |
| 35 | 22551632/1 | 2 | PIASTRINA FISSAGGIO MANICO | PLATE FOR HANDLE FASTENING | PLAQUETTE FIXAGE MANCHERON | PLATTE HOLMBEFESTIGUNG | |
| 36 | 12154330/0 | 1 | DADO | NUT | ECROU | MUTTER | |
| 37 | 22450270/0 | 1 | MOLLA | SPRING | RESSORT | FEDER | |
| 38 | 12819120/0 | 2 | VITE | SCREW | VIS | SCHRAUBE | |
| 39 | 22680006/1 | 2 | RONDELLA | WASHER | RONDELLE | SCHEIBE | |
| 40 | 81000621/1 | 1 | CAVO FRENO MOTORE | CABLE, THREAD MOTOR BRAKE | CABLE FREIN MOTEUR | KABEL, MOTORBREMSE | (B&S CLASSI/SPRINT/LS/LC) |
| - | 81001106/2 | 1 | CAVO FRENO MOTORE | CABLE, THREAD MOTOR BRAKE | CABLE FREIN MOTEUR | KABEL, MOTORBREMSE | (B&S QUANTUM T 434) |
| - | 81001105/1 | 1 | CAVO FRENO MOTORE | CABLE, THREAD MOTOR BRAKE | CABLE FREIN MOTEUR | KABEL, MOTORBREMSE | (B&S QUANTUM/ES45 T 484) |
| - | 81000639/0 | 1 | CAVO FRENO MOTORE | CABLE, THREAD MOTOR BRAKE | CABLE FREIN MOTEUR | KABEL, MOTORBREMSE | (HONDA GCV 135/160 T 484) |
| - | 81000622/2 | 1 | CAVO FRENO MOTORE | CABLE, THREAD MOTOR BRAKE | CABLE FREIN MOTEUR | KABEL, MOTORBREMSE | (TECUMSEH) |
| 41 | 22981467/0 | 1 | PIASTRINA | PLATE | PLAQUETTE | PLATTE | |
| 42 | 12530060/0 | 1 | RONDELLA ELASTICA | ELASTIC WASHER | RONDELLE ELASTIQUE | ELASTISCHE SCHEIBE | |
| 43 | 12791500/0 | 1 | VITE | SCREW | VIS | SCHRAUBE | |
| 44 | 12728518/0 | 1 | VITE | SCREW | VIS | SCHRAUBE | |
| 45 | 22399900/0 | 2 | MANOPOLINA | KNOB | POIGNÉE | GRIFF | |
| 46 | 12293200/0 | 2 | DADO | NUT | ECROU | MUTTER | |
| 47 | 12691400/0 | 2 | VITE | SCREW | VIS | SCHRAUBE | |
| 70 | 14356744/0 | 1 | ETICHETTA | LABEL | ETIQUETTE | ETIKETTE | (B&S) |
| - | 14356743/0 | 1 | ETICHETTA | LABEL | ETIQUETTE | ETIKETTE | (HONDA) |
| - | 14357646/0 | 1 | ETICHETTA | LABEL | ETIQUETTE | ETIKETTE | (TECUMSEH) |
| — | 81008606/1 | 1 | DOTAZIONE VITERIA | OUTFIT, SCREWS | DOTATION VISSERIE | SATZ, SCHRAUBEN | |
| — | 81008609/0 | 1 | DOTAZIONE VITERIA CRUSCOTTO | OUTFIT, DASH-BOARD SCREWS | DOTATION VISSERIE CONSOLLE | SATZ, KONSOLE SCHRAUBEN | |

VARIANTE MANICO - HANDLE MODIFICATION - MODIFICATION POIGNEE - ÄNDERUNGEN GRIFFENSTEEL

01T.041

| Pos. | Code | Q.ty | Descrizione | Description | Description | Beshreibung | Remarks |
|------|------------|------|-------------------|--------------------|------------------------------|----------------|---------|
| 101 | 81007020/0 | 1 | MANICO, PARTE SUP | HANDLE, UPPER PART | MANCHERON, PARTIE SUPERIEURE | HOLM, OBERTEIL | |
| 102 | 22430309/0 | 1 | MOLLA GUIDA | GUIDE SPRING | RESSORT DE GUIDE | FEDER FÜHRER | |
| 103 | 22120148/0 | 1 | CRUSCOTTO GIALLO | DASH BOARD YELLOW | CONSOLE JAUNE | KONSOLE GELBE | |
| - | 22120150/0 | 1 | CRUSCOTTO ROSSO | DASH BOARD RED | CONSOLE ROUGE | KONSOLE ROTE | |



GLOBAL GARDEN PRODUCTS

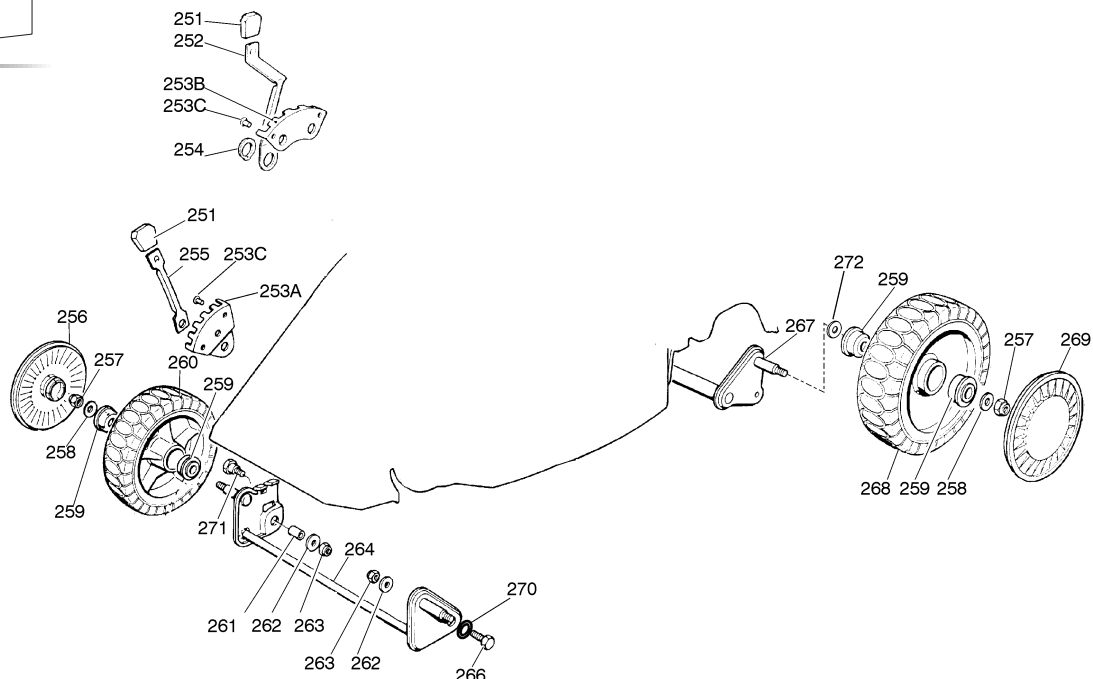
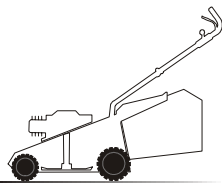
01T.041

| Pos. | Code | Q.ty | Descrizione | Description | Description | Beshreibung | Remarks |
|------|------------|------|-----------------------------|---------------------------|----------------------------|-------------------------|----------------------------|
| 103 | 22120164/0 | 1 | CRUSCOTTO NERO | DASH BOARD BLACK | CONSOLE NOIRE | KONSOLE SCHWARZE | |
| 104 | 81003291/2 | 1 | LEVA FRENO MOTORE | LEVER, MOTOR BRAKE | LEVIER FREIN MOTEUR | HEBEL, MOTORBREMSE | |
| 105 | 22291050/0 | 1 | IMPUGNATURA MANICO NERA | HANDGRIP BLACK | POIGNÉE NOIRE | HANDGRIFF SCHWARZER | |
| - | 22291051/0 | 1 | IMPUGNATURA MANICO ROSSA | HANDGRIP RED | POIGNÉE ROUGE | HANDGRIFF RÖTER | |
| - | 22291052/0 | 1 | IMPUGNATURA MANICO GIALLA | HANDGRIP YELLOW | POIGNÉE JAUNE | HANDGRIFF GELBER | |
| 106 | 12726388/0 | 1 | VITE | SCREW | VIS | SCHRAUBE | |
| 107 | 22399801/0 | 1 | MANOPOLINA | KNOB | POIGNÉE | GRIFF | |
| 108 | 81007138/0 | 1 | CAVO ACCELERATORE | CABLE, TROTTLE | CABLE, ACCELERATEUR | KABLE, BESCHLEUNIGER | |
| 109 | 12290800/0 | 1 | DADO | NUT | ECROU | MUTTER | |
| 110 | 22041966/0 | 2 | BUSSOLA | BUSH | DOUILLE | BUCHSE | |
| 111 | 12728460/0 | 1 | VITE | SCREW | VIS | SCHRAUBE | |
| 112 | 12523020/0 | 2 | RONDELLA | WASHER | RONDELLE | SCHEIBE | |
| 113 | 12581500/0 | 2 | GROWER | GROWER | GROWER | FEDERRING | |
| 114 | 12291000/0 | 2 | DADO | NUT | ECROU | MUTTER | |
| 115 | 81000621/1 | 1 | CAVO FRENO MOTORE | CABLE, THREAD MOTOR BRAKE | CABLE FREIN MOTEUR | KABEL, MOTORBREMSE | (B&S CLASSIC/SPRINT/LS/LC) |
| - | 81001106/2 | 1 | CAVO FRENO MOTORE | CABLE, THREAD MOTOR BRAKE | CABLE FREIN MOTEUR | KABEL, MOTORBREMSE | (B&S QUANTUM T 434) |
| - | 81001105/1 | 1 | CAVO FRENO MOTORE | CABLE, THREAD MOTOR BRAKE | CABLE FREIN MOTEUR | KABEL, MOTORBREMSE | (B&S QUANTUM/ES45 T 484) |
| - | 81000639/0 | 1 | CAVO FRENO MOTORE | CABLE, THREAD MOTOR BRAKE | CABLE FREIN MOTEUR | KABEL, MOTORBREMSE | (HONDA GCV 135/160 T 484) |
| - | 81000622/2 | 1 | CAVO FRENO MOTORE | CABLE, THREAD MOTOR BRAKE | CABLE FREIN MOTEUR | KABEL, MOTORBREMSE | (TECUMSEH) |
| 116 | 12293200/0 | 2 | DADO | NUT | ECROU | MUTTER | |
| 117 | 22399900/0 | 2 | MANOPOLINA | KNOB | POIGNÉE | GRIFF | |
| 118 | 22680006/1 | 2 | RONDELLA | WASHER | RONDELLE | SCHEIBE | |
| 119 | 12819120/0 | 2 | VITE | SCREW | VIS | SCHRAUBE | |
| 120 | 12154330/0 | 1 | DADO | NUT | ECROU | MUTTER | |
| 121 | 22943006/0 | 1 | VITE | SCREW | VIS | SCHRAUBE | |
| 122 | 14356693/0 | 1 | ETICHETTA | LABEL | ETIQUETTE | ETIKETTE | (B&S) |
| - | 14356692/0 | 1 | ETICHETTA | LABEL | ETIQUETTE | ETIKETTE | (HONDA) |
| - | 14357387/0 | 1 | ETICHETTA | LABEL | ETIQUETTE | ETIKETTE | (TECUMSEH) |
| 123 | 12788910/0 | 2 | VITE | SCREW | VIS | SCHRAUBE | |
| — | 81008499/1 | 1 | DOTAZIONE VITERIA CRUSCOTTO | OUTFIT, DASH-BOARD SCREWS | DOTATION VISSERIE CONSOLLE | SATZ, KONSOLE SCHRAUBEN | |



2

02D_018



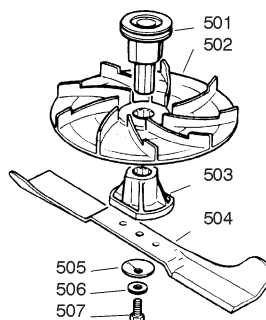
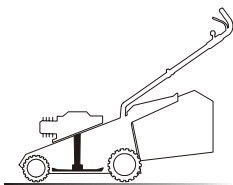
02T_026

| Pos. | Code | Q.ty | Descrizione | Description | Description | Beschreibung | Remarks |
|------|------------|------|-----------------------------|---------------------------|-------------------------|-------------------------|---------|
| 251 | 22400000/1 | 2 | MANOPOLINA | KNOB | POIGNÉE | GRIF | |
| 252 | 22321497/0 | 1 | LEVA REGOLAZIONE ALTEZZA | LEVER, HEIGHT ADJUSTMENT | LEVIER REGLAGE HAUTEUR | HEBEL, HÖNEVERSTELLUNG | |
| 253A | 22735535/0 | 1 | SETTORE REGOLAZIONE ALTEZZA | SECTOR, HEIGHT ADJUSTMENT | SECTEUR REGLAGE HAUTEUR | SEKTOR, HÖNEVERSTELLUNG | |
| 253B | 22735508/0 | 1 | SETTORE REGOLAZIONE ALTEZZA | SECTOR, HEIGHT ADJUSTMENT | SECTEUR REGLAGE HAUTEUR | SEKTOR, HÖNEVERSTELLUNG | |
| 253C | 12500070/0 | 3 | RIVETTO | RIVET | RIVET | NIETE | |
| 254 | 12609260/0 | 1 | ANELLO ARRESTO | RING | ANNEAU DE TENNUE | RING | |
| 255 | 22321502/0 | 1 | LEVA REGOLAZIONE ALTEZZA | LEVER, HEIGHT ADJUSTMENT | LEVIER REGLAGE HAUTEUR | HEBEL, HÖNEVERSTELLUNG | |
| 256 | 22110282/0 | 2 | COPRIMOZZO BIANCO | HUB CAP WHITE | COUVRE-MOYEU BLANC | RADKAPPE WEIßE | |
| - | 22110288/0 | 2 | COPRIMOZZO GIALLO | HUB CAP YELLOW | COUVRE-MOYEU JAUNE | RADKAPPE GELBE | |
| - | 22110290/0 | 2 | COPRIMOZZO ROSSO | HUB CAP RED | COUVRE-MOYEU ROUGE | RADKAPPE ROTE | |
| 257 | 12155000/0 | 4 | DADO | NUT | ECROU | MUTTER | |
| 258 | 12521350/0 | 4 | RONDELLA | WASHER | RONDELLE | SCHEIBE | |
| 259 | 22122200/0 | 8 | CUSCINETTO | BEARING | COUSSINET | LAGER | |
| 260 | 81007336/0 | 2 | RUOTA SCOLPITA Ø 170 | WHEEL, KNOBBLY Ø 170 | ROUE SCULPTEE Ø 170 | RAD M. STOLLENPR. Ø 170 | |
| 261 | 22170950/0 | 1 | DISTANZIALE DX | R SPACER | ENTRETOISE D | RECHTER DISTANZRING | |
| 262 | 12523060/0 | 2 | RONDELLA | WASHER | RONDELLE | SCHEIBE | |
| 263 | 12155000/0 | 2 | DADO | NUT | ECROU | MUTTER | |
| 264 | 81001408/0 | 1 | ASSE RUOTE ANTERIORE | AXLE, FRONT WHEELS | AXE ROUES AVANT | ACHSE, VORDERRAD | (T 434) |
| - | 81001410/0 | 1 | ASSE RUOTE ANTERIORE | AXLE, FRONT WHEELS | AXE ROUES AVANT | ACHSE, VORDERRAD | (T 484) |
| 266 | 22519515/0 | 1 | PERNO | PIN | PIVOT | BOLZEN | |
| 267 | 81000151/0 | 1 | ASSE RUOTE POSTERIORE | AXLE, REAR WHEELS | AXE ROUES ARRIERE | ACHSE, HINTERRAD | |
| 268 | 81007337/0 | 2 | RUOTA SCOLPITA Ø 210 | WHEEL, KNOBBLY Ø 210 | ROUE SCULPTEE Ø 210 | RAD M. STOLLENPR. Ø 210 | |
| 269 | 22110281/0 | 2 | COPRIMOZZO BIANCO | HUB CAP WHITE | COUVRE-MOYEU BLANC | RADKAPPE WEIßE | |
| - | 22110287/0 | 2 | COPRIMOZZO GIALLO | HUB CAP YELLOW | COUVRE-MOYEU JAUNE | RADKAPPE GELBE | |
| - | 22110289/0 | 2 | COPRIMOZZO ROSSO | HUB CAP RED | COUVRE-MOYEU ROUGE | RADKAPPE ROTE | |
| 270 | 12521350/0 | 2 | RONDELLA | WASHER | RONDELLE | SCHEIBE | |
| 271 | 22519510/0 | 1 | PERNO | PIN | PIVOT | BOLZEN | |
| 272 | 12530150/0 | 4 | RONDELLA ELASTICA | ELASTIC WASHER | RONDELLE ELASTIQUE | ELASTISCHE SCHEIBE | |



5

05D_007

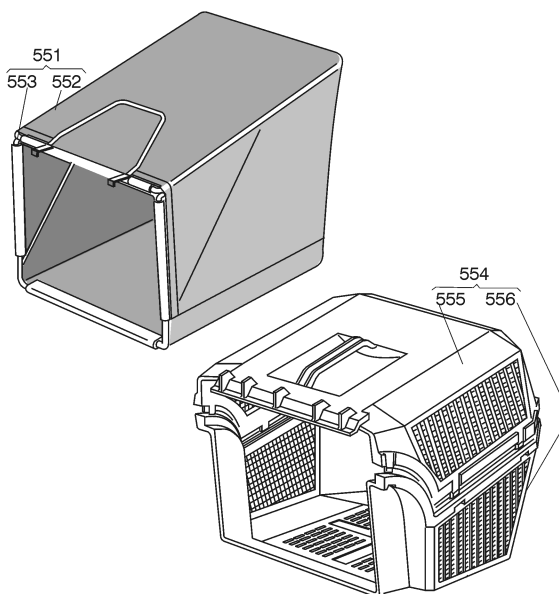
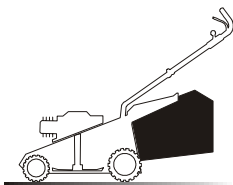


05T.021

| Pos. | Code | Q.ty | Descrizione | Description | Description | Beshreibung | Remarks |
|------|------------|------|-------------------|----------------|--------------------|--------------------|---------|
| 501 | 22465605/0 | 1 | MOZZO GIRANTE | HUB FAN | MOYEU VENTILATEUR | LÄUFENDENABE | |
| 502 | 22245080/0 | 1 | GIRANTE | FAN | VENTILATEUR | LÜFTER | |
| 503 | 22465604/0 | 1 | MOZZO | HUB | MOYEU | HALTER | |
| 504 | 81004341/3 | 1 | COLTELLO STANDARD | BLADE STANDARD | LAME STANDARD | MESSER STANDARD | (T 434) |
| - | 81004396/0 | 1 | COLTELLO ALETTATO | BLADE WINGED | LAME AILETTÉE | MESSER FLÜGEL | (T 434) |
| - | 81004346/3 | 1 | COLTELLO STANDARD | BLADE STANDARD | LAME STANDARD | MESSER STANDARD | (T 484) |
| - | 81004397/0 | 1 | COLTELLO ALETTATO | BLADE WINGED | LAME AILETTÉE | MESSER FLÜGEL | (T 484) |
| 505 | 22160400/0 | 1 | DISCO ELASTICO | ELASTIC WASHER | RONDELLE ELASTIQUE | ELASTISCHE SCHEIBE | |
| 506 | 12523080/0 | 1 | RONDELLA | WASHER | RONDELLE | SCHEIBE | |
| 507 | 12736820/0 | 1 | VITE | SCREW | VIS | SCHRAUBE | |

6

06D_004



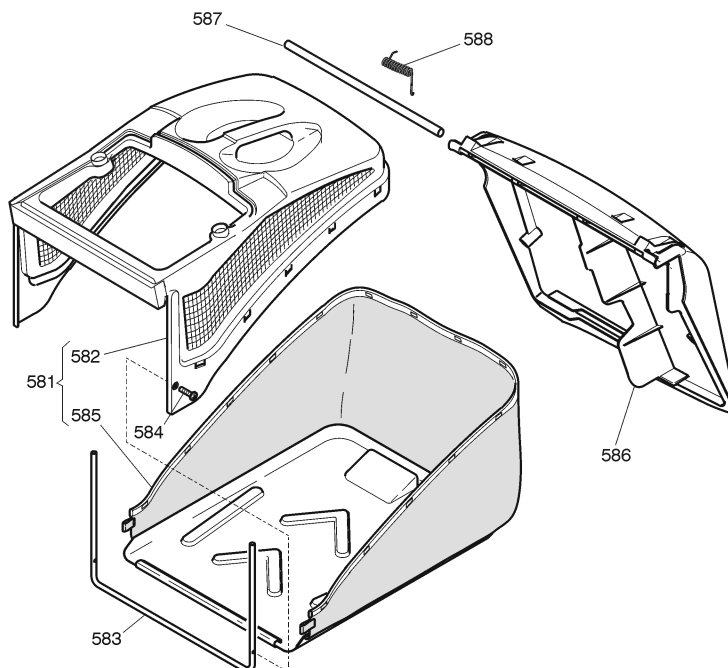
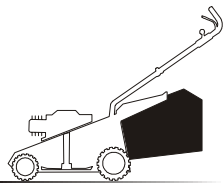
06T.005

| Pos. | Code | Q.ty | Descrizione | Description | Description | Beshreibung | Remarks |
|------|------------|------|-------------------------|--------------------------------|------------------------|-----------------|---------|
| 551 | 96400000/0 | 1 | SACCO IN TELA, COMPLETO | GRASSCATCHER, CANVASS COMPLETE | SAC EN TOILE, COMPLETE | SACK, KOMPLETTE | |
| 552 | 81002124/1 | 1 | SACCO, TELA | BOX, FABRIC | SAC, TOILE | SACK, TUCK | |
| 553 | 81006430/0 | 1 | TELAIO SACCO | CHASSIS BOX | CHÂSSIS BAC | RAHMEN SACK | |
| 554 | 96500000/0 | 1 | SACCO, COMPLETO | GRASSCATCHER, COMPLETE | SAC, COMPLETE | SACK, KOMPLETTE | |
| 555 | 22486065/0 | 1 | SACCO, PARTE SUP | GRASS-BOX, UPPER PART | SAC, PARTIE SUPERIEURE | KORB, OBERTEIL | |
| 556 | 22486064/0 | 1 | SACCO, PARTE INF | GRASS-BOX, LOWER PART | SAC, PARTIE INFERIEURE | KORB, UNTERTEIL | |



6

06D_010

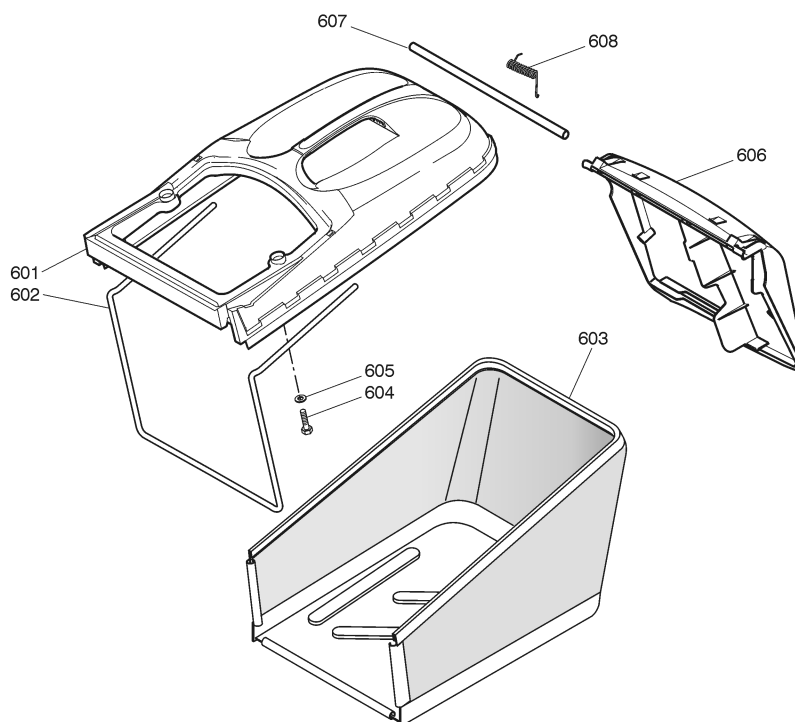
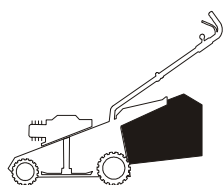


06T.010

| Pos. | Code | Q.ty | Descrizione | Description | Description | Beschreibung | Remarks |
|------|------------|------|------------------|-----------------------|------------------------|--------------------|---------|
| 581 | 92140000/1 | 1 | SACCO COMPLETO | GRASS-BOX, COMPLETE | BAC COMPLET | KORB, KOMPLETTE | |
| 582 | 22486094/0 | 1 | SACCO, PARTE SUP | GRASS-BOX, UPPER PART | SAC, PARTIE SUPERIEURE | KORB, OBERTEIL | |
| 583 | 22608524/0 | 1 | RINFORZO INF | STIFFENING LOWER | RÉNFORCEMENT INF | VERSTÄRKUNG UNTERE | |
| 584 | 12728445/0 | 2 | VITE | SCREW | VIS | SCHRAUBE | |
| 585 | 81002196/0 | 1 | SACCO, TELA | BOX, FABRIC | SAC, TOILE | SACK, TUCK | |
| 586 | 22600066/2 | 1 | PARASASSI | STONE-GUARD | PARE-PIERRES | PRALLBLECH | |
| 587 | 22517907/0 | 1 | PERNO | PIN | PIVOT | BOLZEN | |
| 588 | 22451000/0 | 1 | MOLLA | SPRING | RESSORT | FEDER | |

6

06D_011



06T.011

| Pos. | Code | Q.ty | Descrizione | Description | Description | Beschreibung | Remarks |
|------|------------|------|------------------|-----------------------|------------------------|----------------|---------|
| 601 | 22486102/0 | 1 | SACCO, PARTE SUP | GRASS-BOX, UPPER PART | SAC, PARTIE SUPERIEURE | KORB, OBERTEIL | |



GLOBAL GARDEN PRODUCTS

06T.011

| Pos. | Code | Q.ty | Descrizione | Description | Description | Beshreibung | Remarks |
|------|------------|------|--------------|------------------|------------------|--------------------|---------|
| 602 | 22608526/0 | 1 | RINFORZO INF | STIFFENING LOWER | RÉNFORCEMENT INF | VERSTÄRKUNG UNTERE | |
| 603 | 81002212/0 | 1 | SACCO, TELA | BOX, FABRIC | SAC, TOILE | SACK, TUCK | |
| 604 | 12728680/0 | 2 | VITE | SCREW | VIS | SCHRAUBE | |
| 605 | 12523050/0 | 2 | RONDELLA | WASHER | RONDELLE | SCHEIBE | |
| 606 | 22600066/2 | 1 | PARASASSI | STONE-GUARD | PARE-PIERRES | PRALLBLECH | |
| 607 | 22517857/0 | 1 | PERNO | PIN | PIVOT | BOLZEN | |
| 608 | 22451000/0 | 1 | MOLLA | SPRING | RESSORT | FEDER | |