

# Genuine Spare Parts

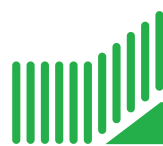
Catalogo delle parti di ricambio  
Spare parts catalogue  
Catalogue des pieces de rechange  
Ersatzteilkatalog

# 1999

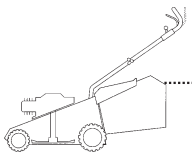
- Use GLOBAL GARDEN PRODUCT Genuine Spare Parts specified in the parts list for repair and/or replacement.
- The contents described in the parts list may change due to improvement.
- The drawings of the spare parts are only indicative and might not represent the part in question exactly.
- The indications "right" - "left" - "front" - "rear" refer to the position of the operator when using the machine.
- When placing orders of parts for repair and/or replacement, make sure that the illustrated parts list is the one applying to the machine's year of manufacture, as shown on the identification plate attached to the machine.

COPYRIGHT by GLOBAL GARDEN PRODUCTS

All rights reserved. No part of this material may be reproduced or transmitted, in any form or by any means, electronic or mechanical, including photocopying, recording or by any information storage and retrieval system, without permission in writing from GLOBAL GARDEN PRODUCTS.



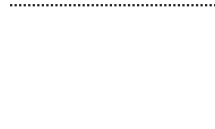
**GLOBAL GARDEN PRODUCTS**



**RL 434**

**RL 484**

**RL 534**

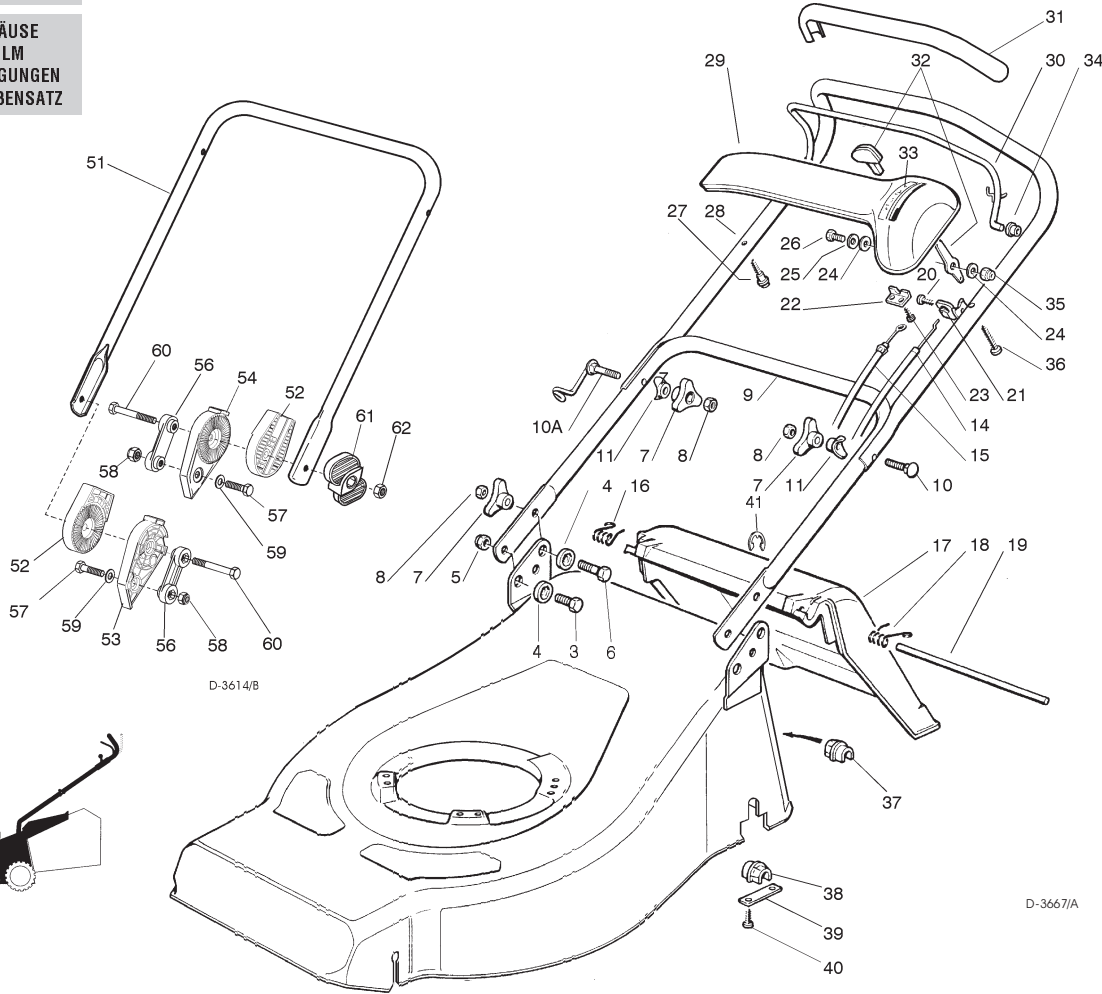
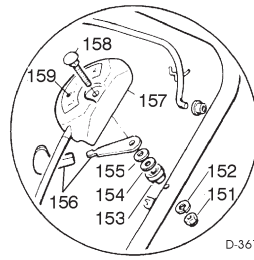
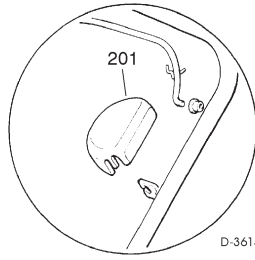


CHASSIS  
MANICO  
COMANDI  
DOTAZIONE VITERIE

DECK  
HANDLE  
CONTROLS  
SCREWS OUTFITS

CHÂSSIS  
MANCHERON  
COMMANDES  
DOTATION VISSERIE

GEHÄUSE  
HOLM  
BETÄTIGUNGEN  
SCRAUBENSATZ



SPARE PARTS CATALOGUE  
GB

ERSATZTEILKATALOG  
D

CATALOGO DELLE PARTI  
DI RICAMBIO  
I

CATALOGUE DES PIÈCES  
DE RECHANGE  
F

T-3667/A

Pos. Nr.	Codice Code Kodex	Q.tà Q.ty-Q.tè Menge	Descrizione	Description	Description	Beschreibung
1		1	CHASSIS	DECK	CHÂSSIS	GEHÄUSE
—	81001026/1	1	ROSSO RL 434	RED RL 434	OUGE RL 434	ROTES RL 434
—	81001009/1	1	GIALLO RL 434	YELLOW RL 434	JAUNE RL 434	GELBES RL 434
—	81001515/1	1	VERDE RL 434	GREEN RL 434	VERT RL 434	GRÜNES RL 434
—	81001028/0	1	ROSSO RL 484	RED RL 484	OUGE RL 484	ROTES RL 484
—	81001011/0	1	GIALLO RL 484	YELLOW RL 484	JAUNE RL 484	GELBES RL 484
—	81001516/0	1	VERDE RL 484	GREEN RL 484	VERT RL 484	GRÜNES RL 484
—	81001726/0	1	ROSSO RL 534	RED RL 534	ROUGE RL 534	ROTES RL 534
—	81001727/0	1	GIALLO RL 534	YELLOW RL 534	JAUNE RL 534	GELBES RL 534
—	81001728/0	1	VERDE RL 534	GREEN RL 534	VERT RL 534	GRÜNES RL 534
3	12792610/0	2	VITE	SCREW	VIS	SCHRAUBE
4	22041955/0	4	BUSSOLA	BUSH	DOUILLE	BUCHSE
5	12155000/0	2	DADO	NUT	ECROU	MUTTER
6	12793700/0	2	VITE	SCREW	VIS	SCHRAUBE
7	22399900/0	4	MANOPOLINA	KNOB	POIGNÉE	GRIFF
8	12293200/0	4	DADO	NUT	ECROU	MUTTER

Pos. Nr.	Codice Code Kodex	Q.tà Q.ty-Q.tè Menge	Descrizione	Description	Description	Beschreibung
9	81 006512/ 0	1	PARTE INF. MANICO	LOWER HANDLE	PARTIE INF. MANCHERON	UNTERHOLM
10	12819201/ 0	1	VITE	SCREW	VIS	SCHRAUBE
10A	81 003801/ 0	1	MOLLA GUIDA	SPRING	RESSORT	FEDER
11	22680006/ 1	2	RONDELLA	WASHER	RONDELLE	SCHIBE
12	12293201/ 0	3/ 2	DADO	NUT	ECROU	MUTTER
—	12155000/ 0	0/ 1	DADO	NUT	ECROU	MUTTER
14	81 007160/ 0	1	CAVO ACCELERATORE	THROTTLE CABLE	CABLE ACCELERATEUR	BESCHLEUNIGER KABEL
15	—	—	CAVO FRENO MOTORE	THREAD MOTOR BRAKE	CABLE FREIN MOTEUR	MOTORBREMSEKABEL
—	81 000633/ 0	1	RL 434 (QUANTUM XM)	RL 434 (QUANTUM XM)	RL 434 (QUANTUM XM)	RL 434 (QUANTUM XM)
—	81 000623/ 1	1	RL 434-484 (TECUMSEH)	RL 434-484 (TECUMSEH)	RL 434-484 (TECUMSEH)	RL 434-484 (TECUMSEH)
—	81 000631/ 0	1	RL 484 (QUANTUM XM-ES 40)	RL 484 (QUANTUM XM-ES 40)	RL 484 (QUANTUM XM-ES 40)	RL 484 (QUANTUM XM-ES 40)
—	81 000625/ 0	1	RL 484 (SPRINT 375/ QUATTRO)	RL 484 (SPRINT 375/ QUATTRO)	RL 484 (SPRINT 375/ QUATTRO)	RL 484 (SPRINT 375/ QUATTRO)
—	81 000641/ 0	1	RL 484 (HONDA GCV 135/ 160)	RL 484 (HONDA GCV 135/ 160)	RL 484 (HONDA GCV 135/ 160)	RL 484 (HONDA GCV 135/ 160)
—	81 000642/ 0	1	RL 534 (QUANTUM XM-ES 40)	RL 534 (QUANTUM XM-ES 40)	RL 534 (QUANTUM XM-ES 40)	RL 534 (QUANTUM XM-ES 40)
—	81 000643/ 0	1	RL 534 (SPRINT 375/ QUATTRO)	RL 534 (SPRINT 375/ QUATTRO)	RL 534 (SPRINT 375/ QUATTRO)	RL 534 (SPRINT 375/ QUATTRO)
—	81 000644/ 0	1	RL 534 (TECUMSEH)	RL 534 (TECUMSEH)	RL 534 (TECUMSEH)	RL 534 (TECUMSEH)
—	81 000640/ 0	1	RL 534 (HONDA GCV 135/ 160)	RL 534 (HONDA GCV 135/ 160)	RL 534 (HONDA GCV 135/ 160)	RL 534 (HONDA GCV 135/ 160)
16	22450410/ 1	1	MOLLA DX	RIGHT SPRING	RESSORT DROITE	RECHTE FEDER
17	22600028/ 4	1	PARASASSI	STONE-GUARD	PARE-PIERRES	PRALLBLECH
18	22450420/ 1	1	MOLLA SX	LEFT SPRING	RESSORT GAUCHE	LINKE FEDER
19	22517906/ 1	1	PERNO	PIN	PIVOT	BOLZEN
20	12728518/ 0	1	VITE	SCREW	VIS	SCHRAUBE
21	22806612/ 0	1	SUPPORTO	SUPPORT	SUPPORT	HALTER
22	22981467/ 0	1	PIASTRINA	PLAQUE	PLAQUETTE	PLATTE
23	12735105/ 0	2	VITE	SCREW	VIS	SCHRAUBE
24	12523040/ 0	2	RONDELLA	WASHER	RONDELLE	SCHIBE
25	12530060/ 0	1	RONDELLA ELASTICA	SPRING WASHER	RONDELLE ELASTIQUE	ELASTISCHE SCHEIBE
26	12791500/ 0	1	VITE	SCREW	VIS	SCHRAUBE
27	22943006/ 0	1	VITE	SCREW	VIS	SCHRAUBE
28	81 007018/ 0	1	PARTE SUP. MANICO	UPPER HANDLE	PARTIE SUP. MANCHERON	OBERHOLM
29	—	—	CRUSCOTTO	DASH BOARD	CONSOLE	KONSOLE
—	22120154/ 0	1	ROSSO	RED	ROUGE	ROTE
—	22120152/ 0	1	GIALLO	YELLOW	JAUNE	GELBE
—	22120158/ 0	1	NERO	BLACK	NOIRE	SCHWARZE
30	81 003291/ 2	1	LEVA FRENO MOTORE	BRAKE LEVER	LEVIER FREIN MOTEUR	MOTORBREMSEHEBEL
31	—	—	IMPUGNATURA MANICO	HANDGRIP	POIGNÉE	HANDGRIFF
—	22291050/ 0	1	NERA	BLACK	NOIRE	SCHWARZER
—	22291051/ 0	1	ROSSA	RED	ROUGE	RÖTER
—	22291052/ 0	1	GIALLA	YELLOW	JAUNE	GELBER
32	81 007280/ 2	1	ASS. LEVA + MANOPOLINA	LEVER + KNOB ASS. Y	ENS. LEVIER + POIGNÉE	HEBEL + GRIFF SATZ
33	—	—	ETICHETTA	LABEL	ETIQUETTE	ETIKETTE
—	14356743/ 0	1	(TECUMSEH-HONDA)	(TECUMSEH-HONDA)	(TECUMSEH-HONDA)	(TECUMSEH-HONDA)
—	14356744/ 0	1	(B&S)	(B&S)	(B&S)	(B&S)
34	22041966/ 0	2	BOCCOLA	BUSH	DOUILLE	BUCHSE
35	12154510/ 0	1	DADO	NUT	ECROU	MUTTER
36	12728460/ 0	1	VITE	SCREW	VIS	SCHRAUBE
37	22038402/ 0	1	BRONZINA DESTRA (RL 534)	RIGHT BUSH (RL 534)	DOUILLE DROITE (RL 534)	RECHTE BUSCHSE (RL 534)
38	22038403/ 0	1	BRONZINA SINISTRA (RL 534)	LEFT BUSH (RL 534)	DOUILLE GAUCHE (RL 534)	LINKE BUSCHSE (RL 534)
39	22545142/ 0	2	PIASTRINA (RL 534)	PLATE (RL 534)	PLAQUETTE (RL 534)	PLATTE (RL 534)
40	12731350/ 0	4	VITE (RL 534)	SCREW (RL 534)	VIS (RL 534)	SCHRAUBE (RL 534)
41	12000930/ 0	1	ANELLO ELASTICO	SNAP RING	ANNEAU RESSORT	SPRENGRING
—	81 008614/ 1	1	DOTAZIONE VITERIA	SCREWS OUTFIT	DOTATION VISSERIE	SCHRAUBEN SATZ
—	81 008609/ 0	1	DOTAZIONE CRUSCOTTO	DASH-BOARD OUTFIT	DOTATION CONSOLE	KONSOLE SATZ

VARIANTE REGOLAZIONE MANICO	HANDLE ADJUSTMENT VARIANT	VARIANTE REGLAGE POIGNEE	GRIFFEINTELLVARIANTE
-----------------------------	---------------------------	--------------------------	----------------------

T-3615/ B

51	81 006510/ 0	1	PARTE INFR. MANICO	LOWER HANDLE	PARTIE INF. MANCHERON	UNTERHOLM
52	22785081/ 0	2	SUPPORTO ESTERNO	EXTERNAL SUPPORT	SUPPORT EXTERNE	AUßERE HALTERUNG
53	22785082/ 0	1	SUPPORTO INTERNO DX	R. INTERNAL SUPPORT	SUPPORT INTERNE DROIT	INNERE HALTERUNG RECHTS
54	22785083/ 1	1	SUPPORTO INTERNO SX	L. INTERNAL SUPPORT	SUPPORT INTERNE GAUCHE	INNERE HALTERUNG LINKS
56	22551575/ 0	2	PIASTRINA INTERNA	INSIDE PLAQUE	PLAQUETTE INTERNE	INNERE PLATTE
57	12793701/ 0	2	VITE	SCREW	VIS	SCHRAUBE
58	12155000/ 0	2	DADO	NUT	ECROU	MUTTER
59	12521350/ 0	2	RONDELLA	WASHER	RONDELLE	SCHIBE
60	12691810/ 0	2	VITE	SCREW	VIS	SCHRAUBE
61	22399803/ 0	2	MANOPOLINA	KNOB	POIGNÉE	GRIFF
62	12293202/ 0	2	DADO	NUT	ECROU	MUTTER
—	81 008623/ 0	1	DOTAZ. VITERIA	SCREWS OUTFIT	DOTATION VISSERIE	SCHRAUBEN SATZ

VARIANTE ACCELERATORE	THROTTLE VARIANTS	VARIANTES COMMANDE D'ACCELERATION	ÄNDERUNGEN AUF GASHEBEL
-----------------------	-------------------	-----------------------------------	-------------------------

T-3616/ D

151	12291000/ 0	1	DADO	NUT	ECROU	MUTTER
152	12581500/ 0	1	GROWER	GROWER	GROWER	FEDERRING
153	22171005/ 0	1	DISTANZIALE	SPACER	ENTRETOISE	DISTANZRING
154	12521360/ 0	1	RONDELLA	WASHER	RONDELLE	SCHIBE
155	12508100/ 0	1	RONDELLA ELASTICA	SPRING WASHER	RONDELLE ELASTIQUE	ELASTISCHE SCHEIBE
156	81 007279/ 1	1	ASS. LEVA+MANOPOLINA	LEVER+KNOB ASS.Y	ENS. LEVIER+POIGNEE	HEBEL+GRIFF SATZ
157	81 007080/ 0	1	ASSIEME ACCELERATORE	TROTTLER UNIT ASS.Y	ENS. ACCELERATEUR	BESCHLEUNIGER SATZ
158	12815000/ 0	1	VITE	SCREW	VIS	SCHRAUBE
159	—	—	ETICHETTA	LABEL	ETIQUETTE	ETIKETTE
—	14356702/ 0	1	(TECUMSEH-HONDA)	(TECUMSEH-HONDA)	(TECUMSEH-HONDA)	(TECUMSEH-HONDA)
—	14356703/ 0	1	(B&S)	(B&S)	(B&S)	(B&S)

Pos. Nr.	Codice Code Kodex	Q.tà Q.ty-Q.tè Menge	Descrizione	Description	Description	Beschreibung
----------	-------------------	----------------------	-------------	-------------	-------------	--------------

T-3615/E

VARIANTE REGIME FISSO	FIXED SPEED VARIANTS	VARIANTES POUR MODÈLE À REGIME FIXE	ÄNDERUNGEN FÜR MODELLE MIT FIXIERTER DREHZAHL
-----------------------	----------------------	-------------------------------------	---

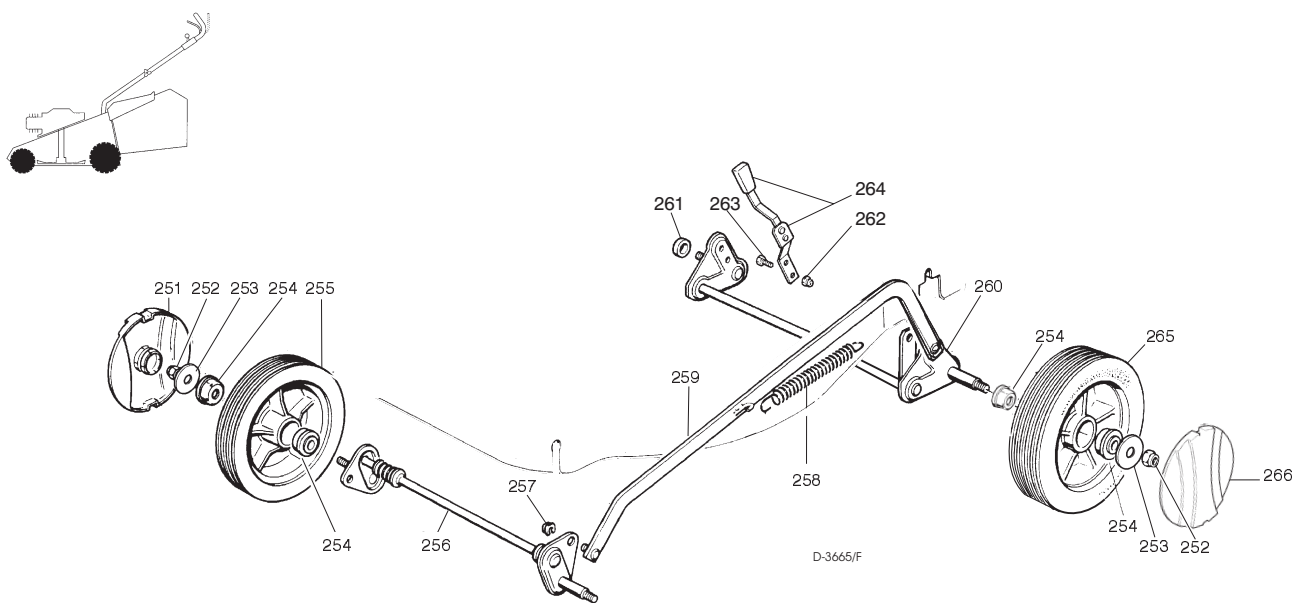
201	22601000/0	PROTEZIONE	PROTECTION	PROTECTION	SCHUTZ
-----	------------	------------	------------	------------	--------

**RUOTE E REGOLAZIONE**

**WHEELS AND HEIGHT ADJUSTING**

**ROUES ET REGLAGE HAUTER DE COUPE**

**RÄDER UND SCHNITTHÖHEVERSTELLUNG**



T-3665/F

251			COPRIMOZZO	HUB CAP	COUVRE-MOYEU	RADKAPPE
—	22110252/0	2	BIANCO	WHITE	BLANC	WEIßE
—	22110254/0	2	GIALLO	YELLOW	JAUNE	GELB
—	22110255/0	2	ROSSO	RED	ROUGE	ROTE
252	12155000/0	2	DADO	NUT	ECROU	MUTTER
253	12523060/0	2	RONDELLA	WASHER	RONDELLE	SCHEIBE
254	22034508/0	4	BOCCOLA	BUSH	DOUILLE	BÜCHSE
255	81007326/0	2	RUOTA Ø 170	WHEEL Ø 170	ROUE Ø 170	RAD Ø 170
256			ASSE RUOTE ANT.	FRONT WHEELS AXLE	AXE ROUES AVANT	VORDERRADACHSE
—	81001248/0	1	RL 434	RL 434	RL 434	RL 434
—	81001250/0	1	RL 484	RL 484	RL 484	RL 484
—	81001278/0	1	RL 534	RL 534	RL 534	RL 534
257	12436050/0		PIASTRINA	PLATE	PLAQUETTE	PLATTE
258	22446180/0	2	MOLLA	SPRING	RESSORT	FEDER1
259			ASTA COMANDO	ADJUSTMENT ROD	TIGE COMMANDE	STELLSTAB
—	81001244/0	1	RL 434	RL 434	RL 434	RL 434
—	81001246/1	1	RL 484	RL 484	RL 484	RL 484
—	81001264/0	1	RL 534	RL 534	RL 534	RL 534
260			ASSE RUOTE POST.	REAR WHEELS AXLE	AXE ROUES ARRIERE	HINTERRADACHSE
—	81001254/0	1	RL 434 / 484	RL 434 / 484	RL 434 / 484	RL 434 / 484
—	81001278/0	1	RL 534	RL 534	RL 534	RL 534
261	22170800/0	1	DISTANZIALE	SPACER	ENTRETOISE	DISTANZRING
262	12154320/0	2	DADO	NUT	ECROU	MUTTER
263	12789000/0	2	VITE	SCREW	VIS	SCHRAUBE
264			LEVA REGOLAZIONE	ADJUSTMENT LEVER	LEVIER REGLAGE	VERSTELLUNGHEBEL
—	81003279/2	1	RL 434/ 484	RL 434/ 484	RL 434/ 484	RL 434/ 484
—	81003283/1	1	RL 534	RL 534	RL 534	RL 534
265	81007328/0	2	RUOTA Ø 210	WHEEL Ø 210	ROUE Ø 210	RAD Ø 210
266			COPRIMOZZO	HUB CAP	COUVRE-MOYEU	RADKAPPE
—	22110251/0	2	BIANCO	WHITE	BLANC	WEIßE
—	22110253/0	2	GIALLO	YELLOW	JAUNE	GELBE
—	22110256/0	2	ROSSO	RED	ROUGE	ROTE

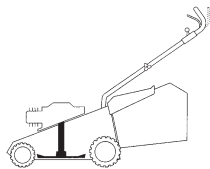
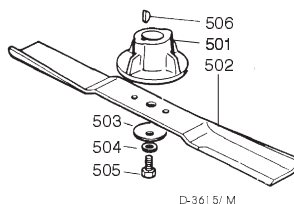
Pos. Nr.	Codice Code Kodex	Q.tà Q.ty-Q.tè Menge	Descrizione	Description	Description	Beschreibung
----------	-------------------	----------------------	-------------	-------------	-------------	--------------

**GRUPPO COLTELLO**

**BLADE ASS.Y**

**GROUPE LAME**

**MESSERSATZ**



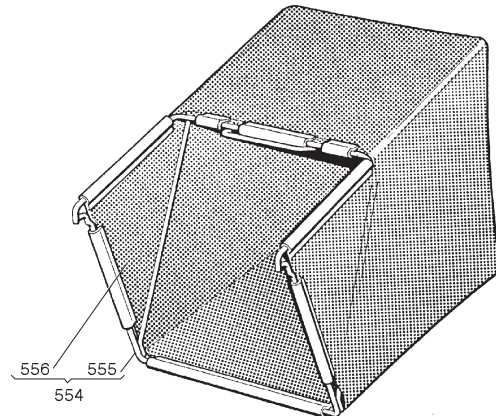
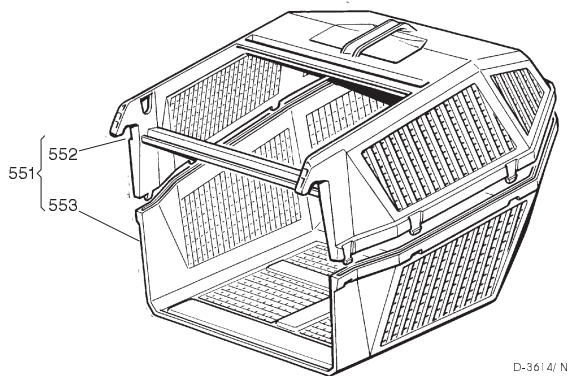
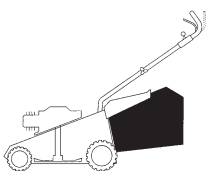
T-3615/ M	501	22463012/ 1	1	MOZZO	HUB	MOYEU	HALTER
	502			COLTELLO	BLADE	LAME	MESSER
	502	81004341/ 2	1	STANDARD. 41 cm RL 434	STANDARD 41 cm RL 434	STANDARD 41 cm RL 434	STAND. 41 cm RL 434
	—	81004396/ 0	1	ALETTATO. 41 cm RL 434	WINGED 41 cm RL 434	AILETTÉE 41 cm RL 434	FLÜGEL 41 cm RL 434
	—	81004346/ 2	1	STANDARD. 46 cm RL 484	STANDARD 46 cm RL 484	STANDARD 46 cm RL 484	STAND 46 cm RL 484
	—	81004397/ 0	1	ALETTATO. 46 cm RL 484	WINGED 46 cm RL 484	AILETTÉE 46 cm RL 484	FLÜGEL 46 cm RL 484
	—	81004381/ 0	1	STANDARD. 51 cm RL 534	WINGED 51 cm RL 534	AILETTÉE 51 cm RL 534	FLÜGEL 51 cm RL 534
	—	81004398/ 0	1	ALETTATO. 51 cm RL 534	WINGED 51 cm RL 534	AILETTÉE 51 cm RL 534	FLÜGEL 51 cm RL 534
	503	22160400/ 0	1	DISCO ELASTICO	ELASTIC WASHER	RONDELLE ELASTIQUE	ELASTISCHE SCHEIBE
	504	12523080/ 0	1	RONDELLA	WASHER	RONDELLE	SCHEIBE
505	12735698/ 0	1	VITE	SCREW	VIS	SCHRAUBE	
506	12139100/ 0	1	LINGUETTA	FEATHER	CLAVETTE	KEIL	

**SACCO RACCOGLIERBA**

**GRASS-CATCHER**

**BAC DE RAMASSAGE**

**GRASFANGKORB**



T-3614/ N	551	98005000/ 1	1	SACCO COMPLETO	COMPLETE GRASS-BOX	SAC COMPLET	KOMPLETTER KORB
	552	22486076/ 0	1	PARTE SUP. SACCO	UPPER GRASS BOX	PARTIE SUP. SAC	OBBERKORB
	553	22486077/ 0	1	PARTE INF. SACCO	LOWER GRASS BOX	PARTIE INF. SAC	UNTERKORB
	554	98004000/ 0	1	ASS. SACCO IN TELA	CANVASS GRASSCATCHER	ENSEMBLE SAC EN TOILE	KOMPLETTER SACK
	555	81006408/ 0	1	TELAIO	CHASSIS	CHÂSSIS	RAHMEN
	556	81002105/ 2	1	TELA SACCO	FABRIC BOX	TOILE POUR SAC	TUCK FÜR SACK