

# Genuine Spare Parts

Catalogo delle parti di ricambio  
Spare parts catalogue  
Catalogue des pieces de rechange  
Ersatzteilkatalog

# 1999

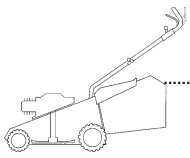
- Use GLOBAL GARDEN PRODUCT Genuine Spare Parts specified in the parts list for repair and/or replacement.
- The contents described in the parts list may change due to improvement.
- The drawings of the spare parts are only indicative and might not represent the part in question exactly.
- The indications "right" - "left" - "front" - "rear" refer to the position of the operator when using the machine.
- When placing orders of parts for repair and/or replacement, make sure that the illustrated parts list is the one applying to the machine's year of manufacture, as shown on the identification plate attached to the machine.

COPYRIGHT by GLOBAL GARDEN PRODUCTS

All rights reserved. No part of this material may be reproduced or transmitted, in any form or by any means, electronic or mechanical, including photocopying, recording or by any information storage and retrieval system, without permission in writing from GLOBAL GARDEN PRODUCTS.



**GLOBAL GARDEN PRODUCTS**



# PAN 504

CHASSIS  
MANICO  
COMANDI  
DOTAZIONE VITERIE

DECK  
HANDLE  
CONTROLS  
SCREWS OUTFITS

CHÂSSIS  
MANCHERON  
COMMANDES  
DOTATION VISSERIE

GEHÄUSE  
HOLM  
BETÄTIGUNGEN  
SCRAUBENSATZ

SPARE PARTS CATALOGUE

ERSATZTEILKATALOG

GB

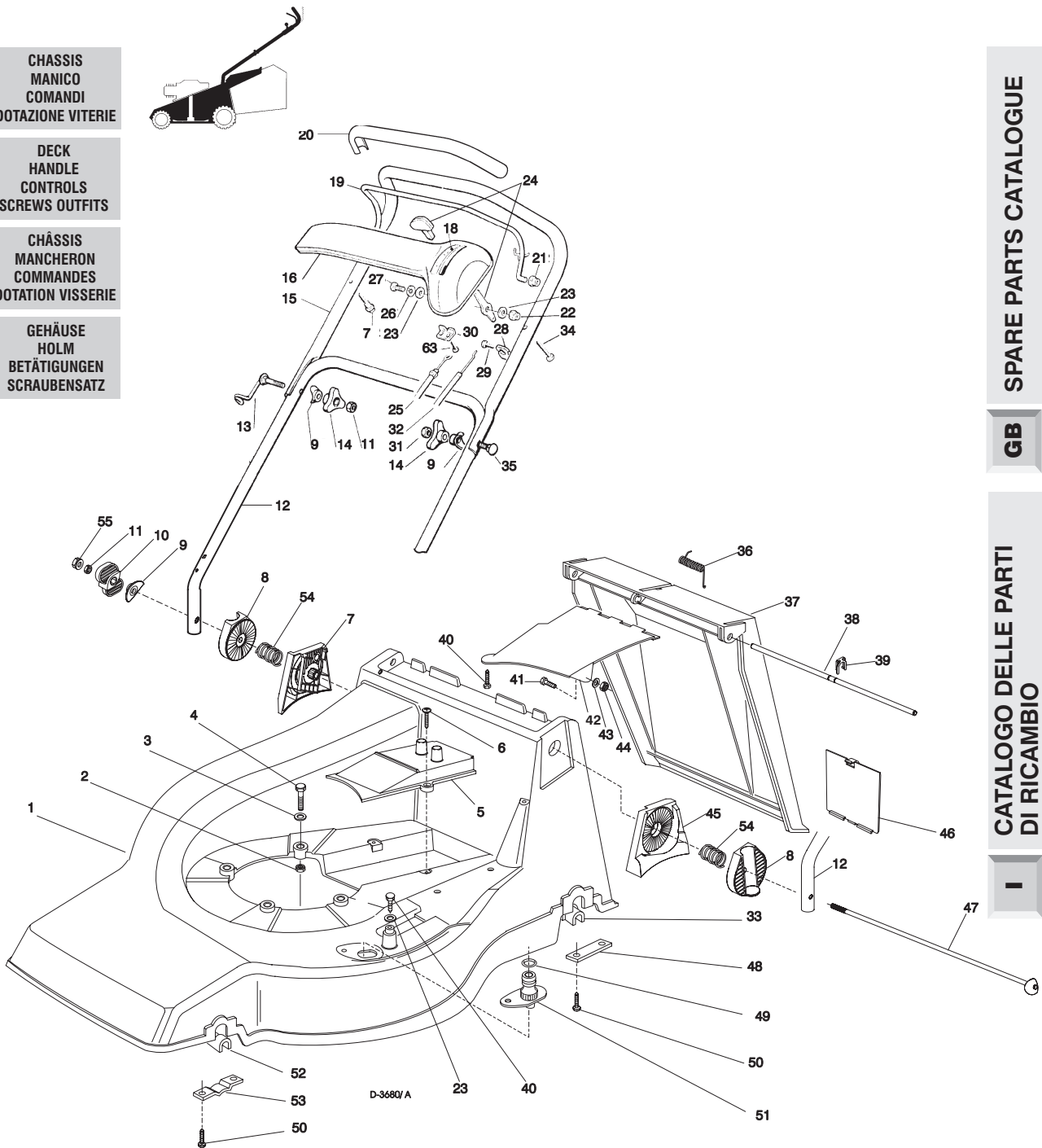
D

CATALOGO DELLE PARTI  
DI RICAMBIO

CATALOGUE DES AELES  
DE RECHANGE

I

F



T-3680/A

Pos. Nr.	Codice Code Kodex	Q.tà Q.ty-Q.tè Menge	Descrizione	Description	Description	Beschreibung
1			CHASSIS	DECK	CHÂSSIS	GEHÄUSE
—	81001714/0	1	ROSSO	RED	ROUGE	ROTES
—	81001715/0	1	GIALLO	YELLOW	JAUNE	GELBES
—	81001716/0	1	VERDE	GREEN	VERT	GRÜNES
2	12155000/0	3	DADO	NUT	ECROU	MUTTER
3	12521350/0	3	RONDELLA	WASHER	RONDELLE	SCHEIBE
4	12691800/0	3	VITE	SCREW	VIS	SCHRAUBE
5	22060181/0	1	CARTER CINGHIA	BELT PROTECTION	PROTECTION COURROIRE	RIEMENSCHUTZ
6	12728522/0	2	VITE	SCREW	VIS	SCHRAUBE
7	22785077/0	1	SUPPORTO INTERNO DX	R. INTERNAL SUPPORT	SUPPORT INTERNE DROIT	INNERE HALTERUNG RECHTS
8	22785076/0	2	SUPPORTO ESTERNO	EXTERNAL SUPPORT	SUPPORT EXTERNE	AUßERE HALTERUNG
9	22680006/1	3	RONDELLA	WASHER	RONDELLE	SCHEIBE
10	22399803/0	1	MANOPOLINA	KNOB	POIGNÉE	GRIF
11	12293202/0	3	DADO	NUT	ECROU	MUTTER
12	81007033/0	1	PART. INF. MANICO	LOWER HANDLE	PARTIE INF. MANCHERON	UNTERHOLM
13	81003801/0	1	MOLLA GUIDA	SPRING	RESSORT	FEDER

Pos. Nr.	Codice Code Kodex	Q.tà Q.ty-Q.tè Menge	Descrizione	Description	Description	Beschreibung
14	22399900/0	2	MANOPOLINA	KNOB	POIGNÉE	GRIFF
15	81007018/0	1	PORTE SUP. MANICO	UPPER HANDLE	PARTIE SUP. MANCHERON	OBERHOLM
16	22120154/0	1	CRUSCOTTO	DASH BOARD	CONSOLE	KONSOLE
—	22120152/0	1	ROSSO	RED	ROUGE	ROTE
—	22120158/0	1	GIALLO	YELLOW D	JAUNE	GELBE
—	22943006/0	1	NERO	BLACK	NOIRE	SCHWARZE
17	22943006/0	1	VITE	SCREW	VIS	SCHRAUBE
18	14356743/0	1	ETICHETTA	LABEL	ETIQUETTE	ETIKETTE
—	14356744/0	1	(TECUMSEH-HONDA)	(TECUMSEH-HONDA)	(TECUMSEH-HONDA)	(TECUMSEH-HONDA)
—	81003291/2	1	(B&S)	(B&S)	(B&S)	(B&S)
19	81003291/2	1	LEVA FRENO MOTORE	BRAKE LEVER	LEVIER FREIN MOTEUR	MOTORBREMSEHEBEL
20	22291050/0	1	IMPUGNATURA MANICO	HANDGRIP	POIGNÉE	HANDGRIFF
—	22291051/0	1	NERA	BLACK	NOIRE	SCHWARZER
—	22291052/0	1	ROSSA	RED	ROUGE	RÖTER
—	22041966/0	2	GIALLA	YELLOW	JAUNE	GELBER
21	22041966/0	2	BOCCOLA	BUSH	DOUILLE	BUCHSE
22	12154510/0	1	DADO	NUT	ECROU	MUTTER
23	12523040/0	3	RONDELLA	WASHER	RONDELLE	SCHEIBE
24	81007280/2	1	ASS. LEVA + MANOPOLINA	LEVER + KNOB ASS. Y	ENS. LEVIER + POIGNÉE	HEBEL + GRIFF SATZ
25	12735105/0	2	VITE	SCREW	VIS	SCHRAUBE
26	12530060/0	1	RONDELLA ELASTICA	SPRING WASHER	RONDELLE ELASTIQUE	ELASTISCHE SCHEIBE
27	12791500/0	1	VITE	SCREW	VIS	SCHRAUBE
28	22806612/0	1	SUPPORTO	SUPPORT	SUPPORT	HALTER
29	12728518/0	1	VITE	SCREW	VIS	SCHRAUBE
30	22981467/0	1	PIASTRINA	PLAQUE	PLAQUETTE	PLATTE
31	81007160/0	1	CAVO ACCELERATORE	THROTTLE CABLE	CABLE ACCELERATEUR	BESCHLEUNIGER KABEL
32	81000629/0	1	CAVO FRENO MOTORE	THREAD MOTOR BRAKE	CABLE FREIN MOTEUR	MOTORBREMSEKABEL
—	81000631/0	1	(TECUMSEH)	(TECUMSEH)	(TECUMSEH)	(TECUMSEH)
—	81000641/0	1	(QUANTUM XM ES40)	(QUANTUM XM ES40)	(QUANTUM XM ES40)	(QUANTUM XM ES40)
—	81000641/0	1	(HONDA GCV 135-165)	(HONDA GCV 135-165)	(HONDA GCV 135-165)	(HONDA GCV 135-165)
33	22038399/0	2	BRONZINA	BUSH	DOUILLE	BUCHSE
34	12728460/0	1	VITE	SCREW	VIS	SCHRAUBE
35	12819201/0	1	VITE	SCREW	VIS	SCHRAUBE
36	22450270/0	1	MOLLA	SPRING	RESSORT	FEDER
37	22600023/2	1	PARASASSI	STONE-GUARD	PARE-PIERRES	PRALLBLECH
38	22517857/0	1	PERNO	PIN	PIVOT	BOLZEN
39	12436050/0	1	PIASTRINA	PLATE	PLAQUETTE	PLATTE
40	12729600/0	1	VITE	SCREW	VIS	SCHRAUBE
41	12789000/0	1	VITE	SCREW	VIS	SCHRAUBE
42	22108205/0	1	CONVOGLIATORE	CONVEYOR	CONVOYEUR	KONVEYOR
43	12523020/0	1	RONDELLA	WASHER	RONDELLE	SCHEIBE
44	12154330/0	1	DADO	NUT	ECROU	MUTTER
45	22785078/0	1	SUPPORTO INTERNO SX	L. INTERNAL SUPPORT	SUPPORT INTERNE GAUCHE	INNERE HALTERUNG LINKS
46	22595352/0	1	PORTINA CHIUSURA	ISPECTION DOOR	VOYANT DE VISITE	ABDECKPLATTE
47	81001208/1	1	PERNO	PIN	PIVOT	BOLZEN
48	22545142/0	2	PIASTRINA	PLATE	PLAQUETTE	PLATTE
49	19035000/0	1	ANELLO OR	OR RING	BAGUE OR	RING OR
50	12731350/0	8	VITE	SCREW	VIS	SCHRAUBE
51	22034000/0	1	ATTACCO ACQUA LAVAGGIO	WASHING CONNECTION	ATTAQUE LAVAGE	WASCHENVERBINDUNG
52	22038400/1	2	BRONZINA	BUSH	DOUILLE	BUCHSE
53	22545156/0	2	PIASTRINA	PLATE	PLAQUETTE	PLATTE
54	22446190/0	2	MOLLA	SPRING	RESSORT	FEDER
55	12154200/0	1	DADO	NUT	ECROU	MUTTER
—	81008621/0	1	DOTAZIONE VITERIA	SCREWS OUTFIT	DOTATION VISSERIE	SCHRAUBEN SATZ
—	81008609/0	1	DOTAZIONE CRUSCOTTO	DASH-BOARD OUTFIT	DOTATION CONSOLE	KONSOLE SATZ

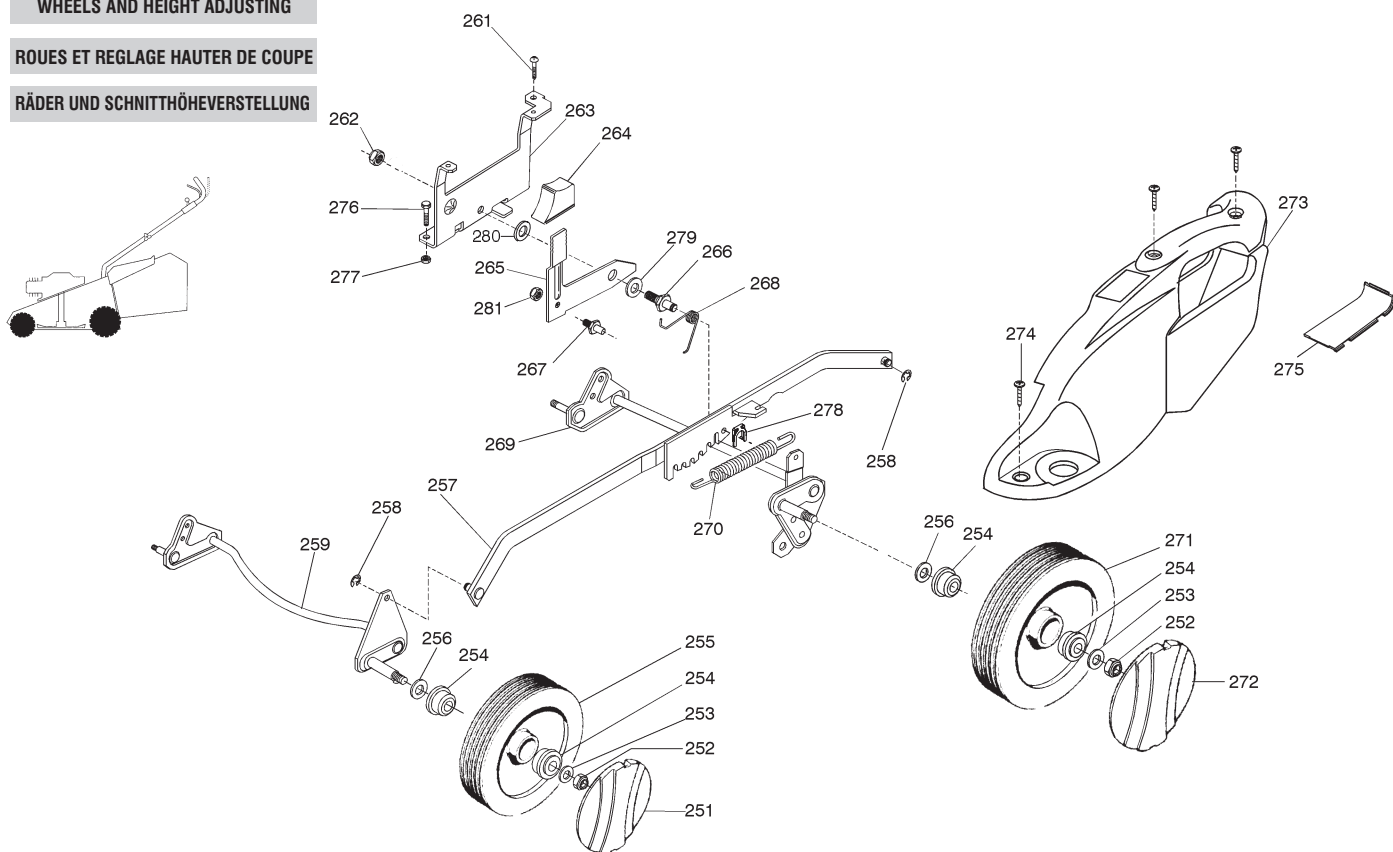
Pos. Nr.	Codice Code Kodex	Q.tà Q.ty-Q.tè Menge	Descrizione	Description	Description	Beschreibung
----------	-------------------	----------------------	-------------	-------------	-------------	--------------

**RUOTE E REGOLAZIONE**

**WHEELS AND HEIGHT ADJUSTING**

**ROUES ET REGLAGE HAUTER DE COUPE**

**RÄDER UND SCHNITTHÖHEVERSTELLUNG**



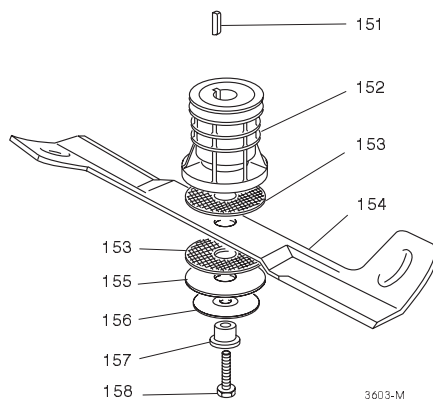
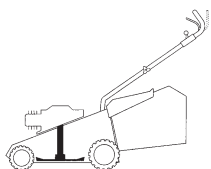
D-3680/F

T-3680/F

251			COPRIMOZZO	HUB CAP	COUVRE-MOYEU	RADKAPPE
—	22110251/0	2	BIANCO Ø 170	WHITE Ø 170	BLANC Ø 170	WEIßE Ø 170
—	22110253/0	2	GIALLO Ø 170	YELLOW Ø 170	JAUNE Ø 170	GELBE Ø 170
—	22110256/0	2	ROSSO Ø 170	RED Ø 170	ROUGE Ø 170	ROTE RADKAPPE Ø 170
252	12155000/0	4	DADO	NUT	ECROU	MUTTER
253	12521350/0	4	RONDELLA	WASHER	RONDELLE	SCHEIBE
254	22122200/0	8	CUSCINETTO	BEARING	COUSSINET	LAGER
255	81007311/0	2	RUOTA Ø 170	WHEEL Ø 170	ROUE Ø 170	RAD. Ø 170
256	12530150/0	4	RONDELLA	WASCHER	RONDELLE	SCHEIBE
257	81001135/0	1	ASTA	ROD	TIGE	STANGE
—	81001137/0	1	ASTA (HONDA GCV 135/ 160)	ROD (HONDA GCV 135/ 160)	TIGE (HONDA GCV 135/ 160)	STANGE (HONDA GCV 135/ 160)
258	12000930/0	2	ANELLO ELASTICO	ELASTIC RING	ANNEAU ELASTIQUE	ELASTISCHER RING
259	81002801/0	1	ASSE RUOTE ANTERIORI	FRONT WHEELS AXLE	AXE ROUES AVANT	VORDERRADACHSE1
261	12731350/0	1	VITE	SCREW	VIS	SCHRAUBE
262	12155000/0	1	DADO	NUT	ECROU	MUTTER
263	22785115/0	1	SUPPORTO REGOLAZIONE	ADJUSTMENT SUPPORT	SUPPORT REGLAGE	VERSTELLUNGHALTER
264	22602000/0	1	PULSANTE COMANDO LEVA	LEVER CONTROL PUSHBUTTON	BOUTON DE COMMANDE LEVIER	STEUERHEBELDRUCKKNOPF
265	22322829/1	1	LEVA REGOLAZIONE	ADJUSTMENT LEVER	LEVIER REGLAGE	VERSTELLUNGHEBEL
266	22517880/1	1	PERNO	PIN	PIVOT	BOLZEN
267	22519746/0	1	PERNO	PIN	PIVOT	BOLZEN
268	22446176/0	1	MOLLA	SPRING	RESSORT	FEDER
269	81002804/1	1	ASSE RUOTE POSTERIORI	REAR WHEELS AXLE	AXE ROUES ARRIERE	HINTERRADACHSE
270	22446180/0	1	MOLLA	SPRING	RESSORT	FEDER
271	81007313/0	2	RUOTA Ø 210	WHEEL Ø 210	ROUE Ø 210	RAD. Ø 210
272			COPRIMOZZO	HUB CAP	COUVRE-MOYEU	RADKAPPE
—	22110252/0	2	BIANCO Ø 210	WHITE Ø 210	BLANC Ø 210	WEIßE Ø 210
—	22110254/0	2	GIALLO Ø 210	YELLOW Ø 210	JAUNE Ø 210	GELBE Ø 210
—	22110255/0	2	ROSSO Ø 210	RED Ø 210	ROUGE Ø 210	ROTE Ø 210
273	22060146/0	1	CARTER REGOLAZIONE	ADJUSTMENT DECK	CHÂSSIS REGLAGE	VERSTELLUNGSGEHÄUSE
274	12728520/0	4	VITE	SCREW	VIS	SCHRAUBE
275	22546070/0	1	PIASTRINA	PLAQUE	PLAQUETTE	PLATTE
276	12793301/0	2	VITE	SCREW	VIS	SCHRAUBE
277	12293201/0	2	DADO	NUT	ECROU	MUTTER
278	12436050/0	1	ANELLO	RING	ANNEAU	RING
279	22672152/0	1	RONDELLA	WASCHER	RONDELLE	SCHEIBE
280	22672151/0	1	RONDELLA	WASCHER	RONDELLE	SCHEIBE
281	12154510/0	1	DADO	NUT	ECROU	MUTTER

Pos. Nr.	Codice Code Kodex	Q.tà Q.ty-Q.tè Menge	Descrizione	Description	Description	Beschreibung
----------	-------------------	----------------------	-------------	-------------	-------------	--------------

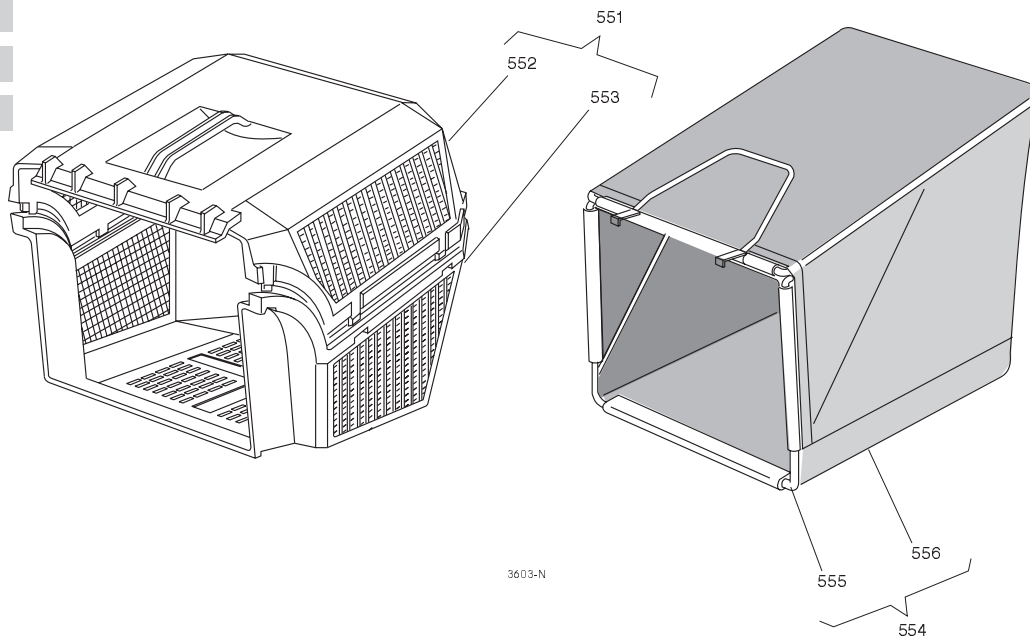
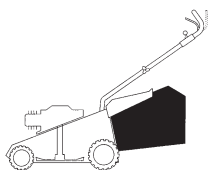
- GRUPPO COLTELLO**
- BLADE ASS.Y**
- GROUPE LAME**
- MESSERSATZ**



T-3640/ M

501	12139100/ 0	1	LINGUETTA	FEATHER	CLAVETTE	KEIL
502	22465611/ 0	1	MOZZO	HUB	MOYEU	NABE
503	22672110/ 1	2	RONDELLA FRIZIONE	CLUTCH WASHER	RONDELLE FRICTION	KUPPLUNGSSCHEIBE
504	81004395/ 1	1	COLTELLO	BLADE	LAME	MESSER
505	12508120/ 0	1	MOLLA A TAZZA	CUPPED SPRING	RESSORT	TELLER FEDER
506	22672105/ 0	1	RONDELLA	WASCHER	RONDELLE	SCHEIBE
507	22041940/ 0	1	BUSSOLA FRIZIONE	CLUTCH BUSH	DOUILLE FRICTION	KUPPLUNGSSCHEIBE
508	12736850/ 0	1	VITE	SCREW	VIS	SCHRAUBE

- SACCO RACCOGLIERBA**
- GRASS-CATCHER**
- BAC DE RAMASSAGE**
- GRASFANGKORB**



T-3640/ N

551	96500000/ 0	1	SACCO COMPLETO	COMPLETE GRASS-BOX	BAC COMPLETE	KOMPLETER KORB
552	22486065/ 0	1	PARTE SUPER. SACCO	UPPER GRASS-BOX	PARTE SUPERIEURE SAC	OBERKORB
553	22486064/ 0	1	PARTE INFER. SACCO	LOWER GRASS-BOX	PARTE INFERIEURE SAC	UNTERKORB
554	96400000/ 0	1	ASS. SACCO TELA	CANVASS GRASSCATCHER ASS.Y	ENSEMBLE SAC EN TOILE	KOMPLETTER SACK
555	81006430/ 0	1	TELAIO	CHASSIS	CHASSIS	RAHMEN
556	81002124/ 0	1	TELA SACCO	FABRIC BOX	TOILE POUR SAC	TUCK FÜR SACK