

Genuine Spare Parts

Catalogo delle parti di ricambio
Spare parts catalogue
Catalogue des pieces de rechange
Ersatzteilkatalog

1999

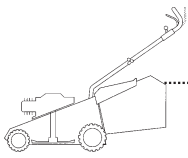
- Use GLOBAL GARDEN PRODUCT Genuine Spare Parts specified in the parts list for repair and/or replacement.
- The contents described in the parts list may change due to improvement.
- The drawings of the spare parts are only indicative and might not represent the part in question exactly.
- The indications "right" - "left" - "front" - "rear" refer to the position of the operator when using the machine.
- When placing orders of parts for repair and/or replacement, make sure that the illustrated parts list is the one applying to the machine's year of manufacture, as shown on the identification plate attached to the machine.

COPYRIGHT by GLOBAL GARDEN PRODUCTS

All rights reserved. No part of this material may be reproduced or transmitted, in any form or by any means, electronic or mechanical, including photocopying, recording or by any information storage and retrieval system, without permission in writing from GLOBAL GARDEN PRODUCTS.



GLOBAL GARDEN PRODUCTS



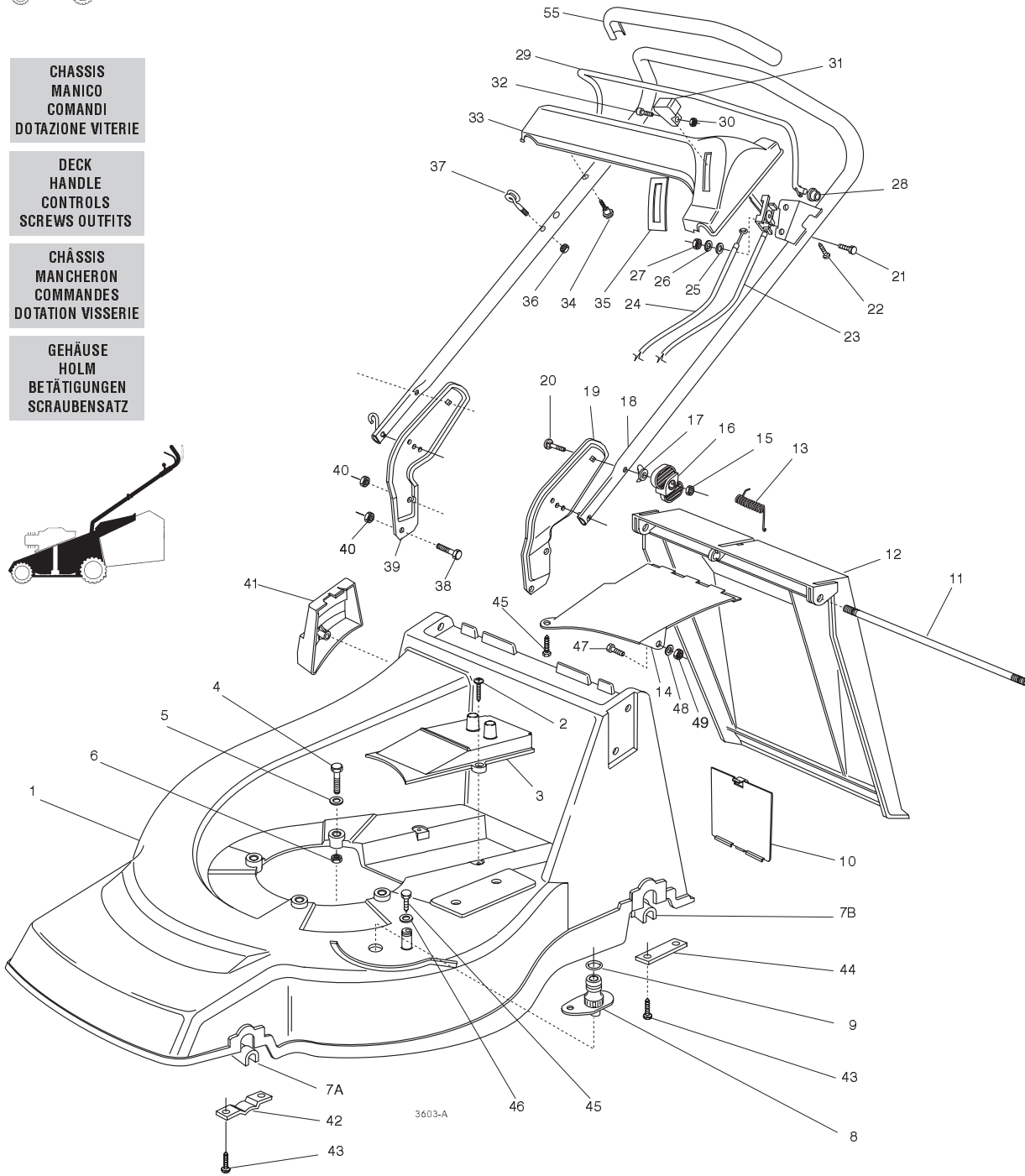
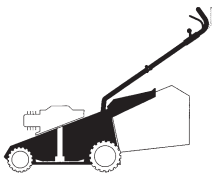
NP 534

CHASSIS
MANICO
COMANDI
DOTAZIONE VITERIE

DECK
HANDLE
CONTROLS
SCREWS OUTFITS

CHÂSSIS
MANCHERON
COMMANDES
DOTATION VISSERIE

GEHÄUSE
HOLM
BETÄTIGUNGEN
SCRAUBENSATZ



SPARE PARTS CATALOGUE

GB

ERSATZTEILKATALOG

D

CATALOGO DELLE PARTI
DI RICAMBIO

I

CATALOGUE DES PIÈCES
DE RECHANGE

F

T-3684/A

Pos. Nr.	Codice Code Kodex	Q.tà Q.ty-Q.tè Menge	Descrizione	Description	Description	Beschreibung
1			CHASSIS	DECK	CHÂSSIS	GEHÄUSE
—	81001652/0	1	ROSSO	RED	ROUGE	ROTES
—	81001654/0	1	GIALLO	YELLOW	JAUNE	GELBES
—	81001656/0	1	VERDE	GREEN	VERT	GRÜNES
2	12728522/0	2	VITE	SCREW	VIS	SCHRAUBE
3	22060181/1	1	CARTER CINGHIA	BELT PROTECTION	PROTECTION COURROIRE	SCHRAUBENSCHUTZ
4	12691800/0	3/2	VITE	SCREW	VIS	SCHRAUBE
—	12692080/0	0/1	VITE	SCREW	VIS	SCHRAUBE
5	12521350/0	3	RONDELLA	WASHER	RONDELLE	SCHEIBE
6	12155000/0	3	DADO	NUT	ECROU	MUTTER
7A	22038400/1	2	BRONZINA	BUSH	DOUILLE	BUCHSE
7B	22038399/0	2	BRONZINA	BUSH	DOUILLE	BUCHSE
8	22034000/0	1	ATTACCO ACQUA LAVAGGIO	WASHING CONNECTION	ATTAQUE LAVAGE	WASCHENVERBINDUNG
9	19035000/0	1	ANELLO OR	OR RING	BAGUE OR	RING OR
10	22595352/0	1	PORTINA CHIUSURA	ISPECTION DOOR	VOYANT DE VISITE	ABDECKPLATTE
11	22517856/0	1	PERNO	PIN	PIVOT	BOLZEN

Pos. Nr.	Codice Code Kodex	Q.tà Q.ty-Q.tè Menge	Descrizione	Description	Description	Beschreibung
12	22600023/ 2	1	PARASASSI	STONE-GUARD	PARE-PIERRES	PRALLBLECH
13	22450270/ 0	1	MOLLA	SPRING	RESSORT	FEDER
14	221 08205/ 0	1	CONVOGLIATORE	CONVEYOR	CONVOYEUR	KONVEYOR
15	12293200/ 0	2	DADO	NUT	ECROU	MUTTER
16	22399803/ 0	2	MANOPOLINA	KNOB	POIGNÉE	GRIFF
17	22680006/ 1	2	RONDELLA	WASHER	RONDELLE	SCHIEBE
18	81007022/ 0	1	MANICO	HANDLE	MANCHERON	HOLM
19	22778397/ 0	1	STAFFA SX	LEFT BRACKET	BRIDE GAUCHE	LINKE PRATZE
20	12819120/ 0	2	VITE	SCREW	VIS	SCHRAUBE
21	12788910/ 0	2	VITE	SCREW	VIS	SCHRAUBE
22	12728460/ 0	1	VITE	SCREW	VIS	SCHRAUBE
23	81007091/ 0	1	ACCELERATORE	TROTTLER	ACCELERATEUR	BESCHLEUNIGER
—	81007092/ 0	1	(B&S)	(B&S)	(B&S)	(B&S)
—	81007092/ 0	1	(TECUMSEH-HONDA)	(TECUMSEH-HONDA)	(TECUMSEH-HONDA)	(TECUMSEH-HONDA)
24	81000628/ 0	1	CAVO FRENO MOTORE	THREAD MOTOR BRAKE	CABLE FREIN MOTEUR	MOTORBREMSEKABEL
—	81000629/ 1	1	(HONDA)	(HONDA)	(HONDA)	(HONDA)
—	81000634/ 0	1	(TECUMSEH)	(TECUMSEH)	(TECUMSEH)	(TECUMSEH)
—	81000634/ 0	1	(B&S)	(B&S)	(B&S)	(B&S)
25	12523020/ 0	2	RONDELLA	WASHER	RONDELLE	SCHIEBE
26	12581500/ 0	2	RONDELLA	WASHER	RONDELLE	SCHIEBE
27	12291000/ 0	2	DADO	NUT	ECROU	MUTTER
28	22041966/ 0	2	BUSSOLA	BUSH	DOUILLE	BUCHSE
29	81003291/ 2	1	LEVA	LEVER	LEVIER	HEBEL
30	12290800/ 0	1	DADO	NUT	ECROU	MUTTER
31	22399801/ 0	1	MANOPOLINA	KNOB	POIGNÉE	GRIFF
32	12726388/ 0	1	VITE	SCREW	VIS	SCHRAUBE
33	221 20150/ 0	1	CRUSCOTTO	DASH-BOARD	CONSOLE	KONSOLE
—	221 20148/ 0	1	ROSSO	RED	ROUGE	ROTE
—	221 20164/ 0	1	GIALLO	YELLOW	JAUNE	GELBE
—	221 20164/ 0	1	NERO	BLACK	NOIRE	SCHWARZE
34	22943006/ 0	1	VITE	SCREW	VIS	SCHRAUBE
35	14356692/ 0	1	ETICHETTA	LABEL	ETIQUETTE	ETIKETTE
—	14356693/ 0	1	(TECUMSEN-HONDA)	(TECUMSEN-HONDA)	(TECUMSEN-HONDA)	(TECUMSEN-HONDA)
—	14356693/ 0	1	(B&S)	(B&S)	(B&S)	(B&S)
36	121 54330/ 0	1	DADO	NUT	ECROU	MUTTER
37	22430309/ 0	1	MOLLA GUIDA	SPRING	RESSORT	FEDER
38	12793301/ 0	1	VITE	SCREW	VIS	SCHRAUBE
39	22778396/ 0	2	STAFFA DX	RIGHT BRACKET	BRIDE DROITE	RECHTE PRATZE
40	121 55000/ 0	1	DADO	NUT	ECROU	MUTTER
41	22601001/ 0	4	PROTEZIONE	PROTECTION	PROTECTION	SCHUTZ
42	22545156/ 0	1	PIASTRINA	PLATE	PLAQUETTE	PLATTE
43	12731350/ 0	2	VITE	SCREW	VIS	SCHRAUBE
44	22545142/ 0	8	PIASTRINA	PLATE	PLAQUETTE	PLATTE
45	12729600/ 0	2	VITE	SCREW	VIS	SCHRAUBE
46	12523040/ 0	2	RONDELLA	WASHER	RONDELLE	SCHIEBE
47	12789000/ 0	1	VITE	SCREW	VIS	SCHRAUBE
48	12523020/ 0	2	RONDELLA	WASHER	RONDELLE	SCHIEBE
49	121 54330/ 0	1	DADO	NUT	ECROU	MUTTER
55	22291050/ 0	1	IMPUGNATURA MANICO	HANDGRIP	POIGNÉE	HANDGRIFF
—	22291051/ 0	1	NERA	BLACK	NOIRE	SCHWARZER
—	22291051/ 0	1	ROSSA	RED	ROUGE	RÖTER
—	22291052/ 0	1	GIALLA	YELLOW	JAUNE	HANDGRIFF

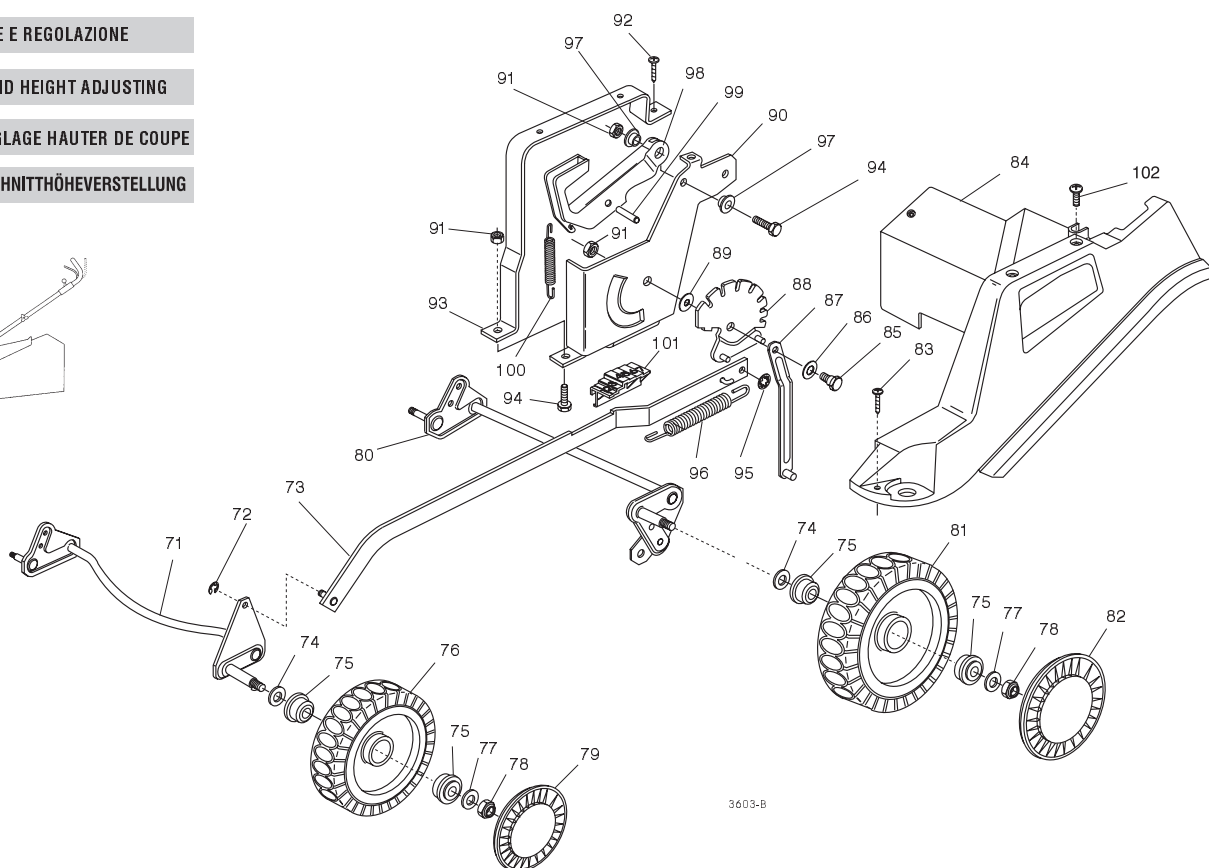
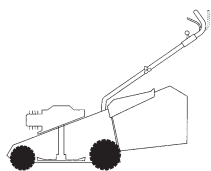
Pos. Nr.	Codice Code Kodex	Q.tà Q.ty-Q.tè Menge	Descrizione	Description	Description	Beschreibung
----------	-------------------	----------------------	-------------	-------------	-------------	--------------

RUOTE E REGOLAZIONE

WHEELS AND HEIGHT ADJUSTING

ROUES ET REGLAGE HAUTER DE COUPE

RÄDER UND SCHNITTHÖHEVERSTELLUNG



3603-B

T-3683/F	71	81002801/0	1	ASSE RUOTE ANTERIORI	FRONT WHEELS AXLE	AXE ROUES AVANT	VORDERRADACHSE
	72	12000930/0	2	ANELLO ELASTICO	ELASTIC RING	ANNEAU ELASTIQUE	ELASTISCHER RING
	73			ASTA	ROD	TIGE	STELLSTAB
	—	81001134/0	1	ASTA COMANDO	ADJUSTMENT ROD	TIGE COMMANDE	STELLSTAB
	—	81001136/0	1	(HONDA GCV 135/160)	(HONDA GCV 135/160)	(HONDA GCV 135/160)	(HONDA GCV 135/160)
	74	12530150/0	4	RONDELLA ELASTICA	ELASTIC WASHER	RONDELLE ELASTIQUE	ELASTISCHE SCHEIBE
	75	22122200/0	8	CUSCINETTO	BEARING	COUSSINET	KUGELLAGER
	76	81007317/0	2	RUOTA SCOLPITA Ø 170	KNOBBLY WHEEL Ø 170	ROUE SCULPTEE Ø 170	RAD. M. STOLLENPR. Ø 170
	77	12521350/0	4	RONDELLA	WASHER	RONDELLE	SCHEIBE
	78	12155000/0	4	DADO	NUT	ECROU	MUTTER
	79			COPRIMOZZO	HUB CAP	COUVRE-MOYEU	RADKAPPE
	—	22110282/0	2	BIANCO	WHITE	BLANC	WEIßE
	—	22110288/0	2	GIALLO	YELLOW	JAUNE	GELBE
	—	22110290/0	2	ROSSO	RED	ROUGE	ROTE
	80	81002804/1	1	ASSE RUOTE POSTERIORI	REAR WHEELS AXLE	AXE ROUES ARRIERE	HINTERRADACHSE
	81	81007318/1	2	RUOTA SCOLPITA Ø 210	KNOBBLY WHEEL Ø 210	ROUE SCULPTEE Ø 210	RAD. M. STOLLENPR. Ø 210
	82			COPRIMOZZO	HUB CAP	COUVRE-MOYEU	RADKAPPE
	—	22110281/0	2	BIANCO	WHITE	BLANC	WEIßE
	—	22110287/0	2	GIALLO	YELLOW P	JAUNE	GELBE
	—	22110289/0	2	ROSSO	RED	ROUGE	ROTE
	83	12728519/0	3	VITE	SCREW	VIS	SCHRAUBE
84	22060144/0	1	CARTER REGOLAZIONE	ADJUSTMENT DECK	CHÂSSIS REGLAGE	VERSTELLUNGSGEHÄUSE	
85	22529662/0	1	PERNO FULCRO	FULCRUM PIN	PIVOT	BOLZEN	
86	22672151/0	1	RONDELLA	WASHER	RONDELLE	SCHEIBE	
87	81001269/0	1	ASTA ASSE POSTERIORE	ROD REAR AXLE	BARRE AXE POSTERIEUR	HINTERACHSESTAB	
88	81000479/0	1	SETTORE DI REGOLAZIONE	ADJUSTMENT SECTOR	SECTEUR REGLAGE	VERSTELLUNGSEKTOR	
89	22672152/0	1	RONDELLA	WASHER	RONDELLE	SCHEIBE	
90	22785109/0	1	SUPPORTO REGOLAZIONE	ADJUSTMENT SUPPORT	SUPPORT REGLAGE	VERSTELLUNGHALTER	
91	12293201/0	4	DADO	NUT	ECROU	MUTTER	
92	12729600/0	1	VITE	SCREW	VIS	SCHRAUBE	
93	22785113/0	1	SUPPORTO MANIGLIA	HANDLE SUPPORT	SUPPORT POIGNÉE	GRIFFHALTER	
94	12793301/0	3	VITE	SCREW	VIS	SCHRAUBE	
95	12604899/0	2	ANELLO ELASTICO	ELASTIC RING	ANNEAU ELASTIQUE	ELASTISCHER RING	
96	22446180/0	1	MOLLA	SPRING	RESSORT	FEDER	
97	25038002/0	2	BUSSOLA	BUSH	DOUILLE	BUCHSE	
98	22393611/1	1	MANIGLIA	HANDLE	POIGNÉE	GRIFF	
99	12622640/0	1	SPINA	PIN	GOUPILLE	STIFT	
100	22446175/0	1	MOLLA	SPRING	RESSORT	FEDER	
101	22570200/0	1	PLACCHETTA POSIZIONI	POSITION PLATE	PLAQUETTE REGLAGE	VERSTELLUNGPLATTE	
102	12728520/0	1	VITE	SCREW	VIS	SCHRAUBE	

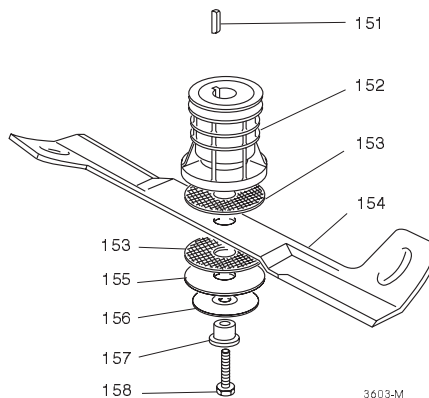
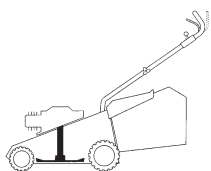
Pos. Nr.	Codice Code Kodex	Q.tà Q.ty-Q.tè Menge	Descrizione	Description	Description	Beschreibung
----------	-------------------	----------------------	-------------	-------------	-------------	--------------

GRUPPO COLTELLO

BLADE ASS.Y

GROUPE LAME

MESSERSATZ



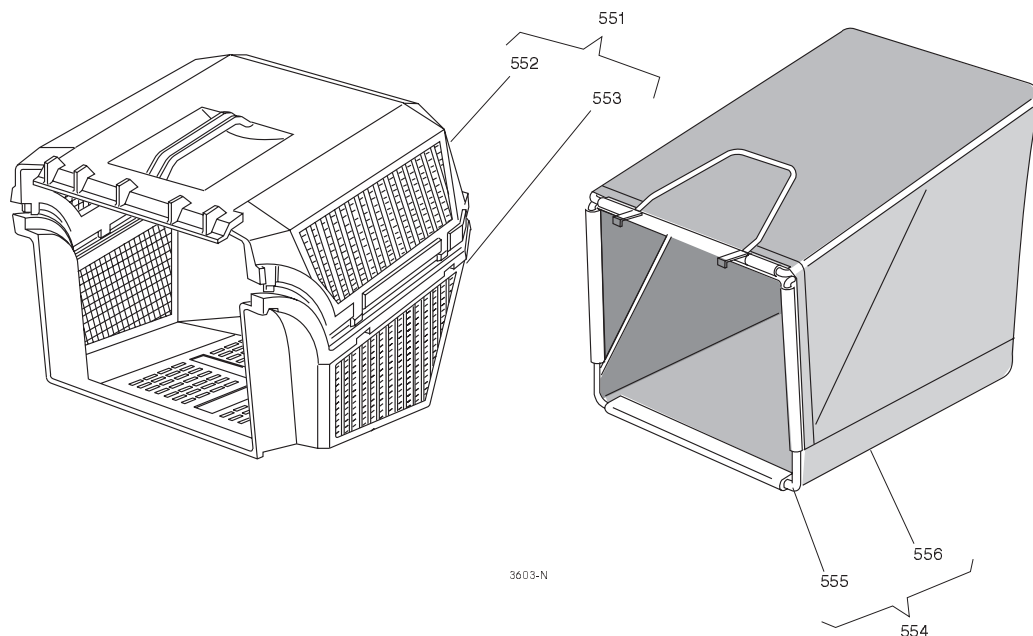
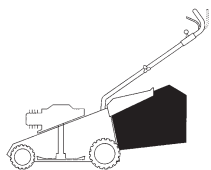
T-3643/ M	151	12139100/ 0	1	LINGUETTA	FEATHER	CLAVETTE	KEIL
	152	22465611/ 0	1	MOZZO	HUB	MOYEU	NABE
	153	22672110/ 1	2	RONDELLA FRIZIONE	CLUTCH WASHER	RONDELLE FRICTION	KUPPLUNGSSCHEIBE
	154	81004398/ 0	1	COLTELLO	BLADE	LAME	MESSER
	155	12508120/ 0	1	MOLLA A TAZZA	CUPPED SPRING	RESSORT	TELLER FEDER
	156	22672105/ 0	1	RONDELLA	WASCHER	RONDELLE	SCHEIBE
	157	22041940/ 0	1	BUSSOLA FRIZIONE	CLUTCH BUSH	DOUILLE FRICTION	KUPPLUNGSSCHEIBE
	158	12736850/ 0	1	VITE	SCREW	VIS	SCHRAUBE

SACCO RACCOGLIERBA

GRASS-CATCHER

BAC DE RAMASSAGE

GRASFANGKORB



T-3640/ N	551	96500000/ 0	1	SACCO COMPLETO	COMPLETE GRASS-BOX	BAC COMPLETE	KOMPLETER KORB
	552	22486065/ 0	1	PORTE SUPER. SACCO	UPPER GRASS-BOX	PARTE SUPERIEURE SAC	OBERKORB
	553	22486064/ 0	1	PORTE INFER. SACCO	LOWER GRASS-BOX	PARTE INFERIEURE SAC	UNTERKORB
	554	96400000/ 0	1	ASS. SACCO TELA	CANVASS GRASSCATCHER	ENSEMBLE SAC EN TOILE	KOMPLETTER SACK
					ASS.Y		
	555	81006430/ 0	1	TELAIO	CHASSIS	CHASSIS	RAHMEN
	556	81002124/ 0	1	TELA SACCO	FABRIC BOX	TOILE POUR SAC	TUCK FÜR SACK
	—	81008610/ 0	1	DOTAZIONE VITERIA	SCREWS OUTFIT	DOTATION VISSERIE	SCHRAUBEN SATZ
	—	81008499/ 1	1	DOTAZIONE CRUSCOTTO	DASH-BOARD OUTFIT	DOTATION CONSOLE	KONSOLE SATZ