

Genuine Spare Parts

Catalogo delle parti di ricambio
Spare parts catalogue
Catalogue des pieces de rechange
Ersatzteilkatalog

1999

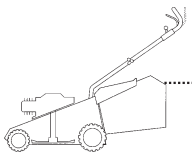
- Use GLOBAL GARDEN PRODUCT Genuine Spare Parts specified in the parts list for repair and/or replacement.
- The contents described in the parts list may change due to improvement.
- The drawings of the spare parts are only indicative and might not represent the part in question exactly.
- The indications "right" - "left" - "front" - "rear" refer to the position of the operator when using the machine.
- When placing orders of parts for repair and/or replacement, make sure that the illustrated parts list is the one applying to the machine's year of manufacture, as shown on the identification plate attached to the machine.

COPYRIGHT by GLOBAL GARDEN PRODUCTS

All rights reserved. No part of this material may be reproduced or transmitted, in any form or by any means, electronic or mechanical, including photocopying, recording or by any information storage and retrieval system, without permission in writing from GLOBAL GARDEN PRODUCTS.



GLOBAL GARDEN PRODUCTS



NP 534 TR

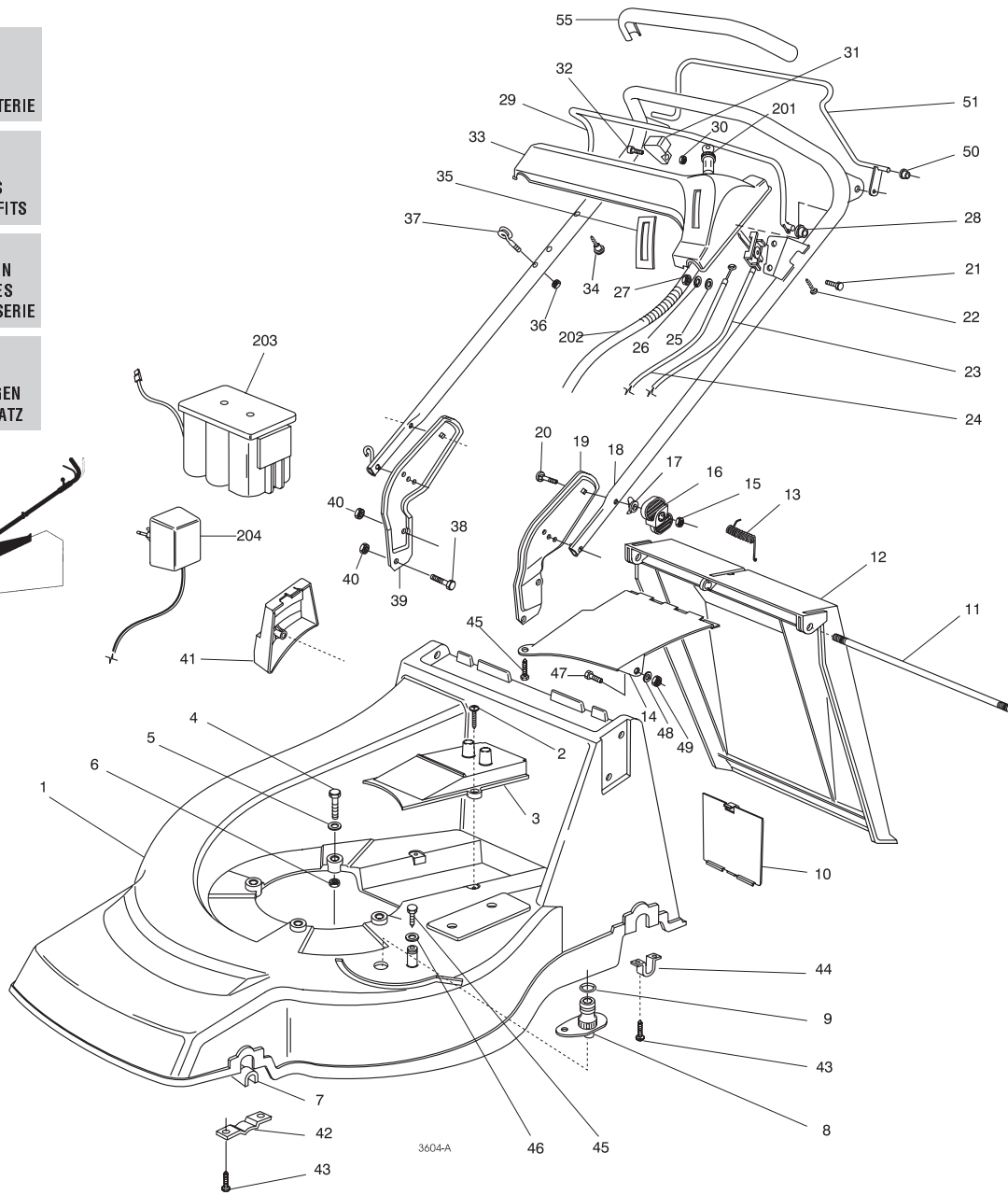
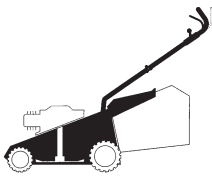
NP 534 TR-E

CHASSIS
MANICO
COMANDI
DOTAZIONE VITERIE

DECK
HANDLE
CONTROLS
SCREWS OUTFITS

CHÂSSIS
MANCHERON
COMMANDES
DOTATION VISSERIE

GEHÄUSE
HOLM
BETÄTIGUNGEN
SCRAUBENSATZ



SPARE PARTS CATALOGUE

ERSATZTEILKATALOG

GB

D

CATALOGO DELLE PARTI
DI RICAMBIO

CATALOGUE DES PIÈCES
DE RECHANGE

I

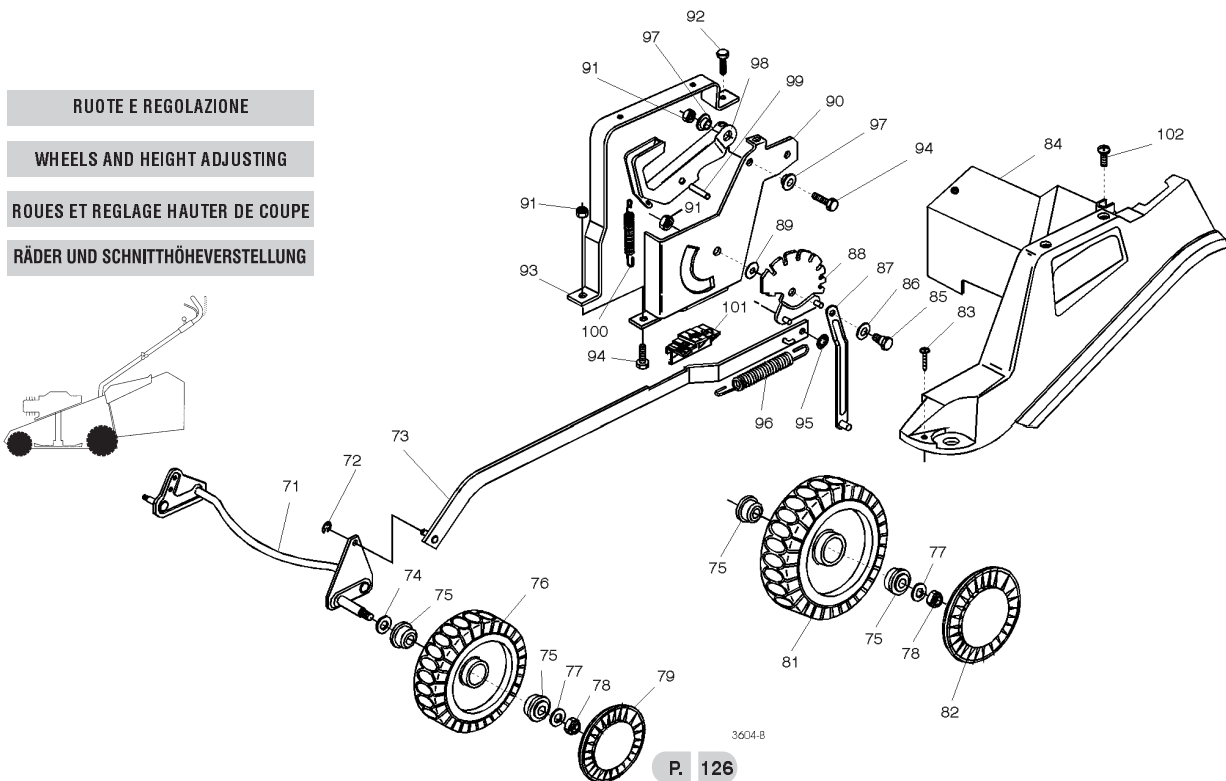
F

T-3685/A

| Pos. Nr. | Codice Code Kodex | Q.tà Q.ty-Q.tè Menge | Descrizione | Description | Description | Beschreibung |
|----------|-------------------|----------------------|------------------------|--------------------|----------------------|-------------------|
| 1 | | | CHASSIS | DECK | CHÂSSIS | GEHÄUSE |
| — | 81001652/0 | 1 | ROSSO | RED | ROUGE | ROTES |
| — | 81001654/0 | 1 | GIALLO | YELLOW | JAUNE | GELBES |
| — | 81001656/0 | 1 | VERDE | GREEN | VERT | GRÜNES |
| 2 | 12728522/0 | 2 | VITE | SCREW | VIS | SCHRAUBE |
| 3 | 22060181/1 | 1 | CARTER CINGHIA | BELT PROTECTION | PROTECTION COURROIRE | RIEMENSCHUTZ |
| 4 | 12691800/0 | 3/2 | VITE | SCREW | VIS | SCHRAUBE |
| — | 12692080/0 | 0/1 | VITE | SCREW | VIS | SCHRAUBE |
| 5 | 12521350/0 | 3 | RONDELLA | WASHER | RONDELLE | SCHEIBE |
| 6 | 12155000/0 | 3 | DADO | NUT | ECROU | MUTTER |
| 7 | 22038400/1 | 2 | BRONZINA | BUSH | DOUILLE | BUCHSE |
| 8 | 22034000/0 | 1 | ATTACCO ACQUA LAVAGGIO | WASHING CONNECTION | ATTAQUE LAVAGE | WASCHENVERBINDUNG |
| 9 | 19035000/0 | 1 | ANELLO OR | OR RING | BAGUE OR | RING OR |
| 10 | 22595352/0 | 1 | PORTINA CHIUSURA | INSPECTION DOOR | VOYANT DE VISITE | ABDECKPLATTE |
| 11 | 22517856/0 | 1 | PERNO | PIN | PIVOT | BOLZEN |
| 12 | 22600023/2 | 1 | PARASASSI | STONE-GUARD | PARE-PIERRES | PRALLBLECH |
| 13 | 22450270/0 | 1 | MOLLA | SPRING | RESSORT | FEDER |
| 14 | 22108205/0 | 1 | CONVOGLIATORE | CONVEYOR | CONVOYEUR | KONVOYOR |
| 15 | 12293200/0 | 2 | DADO | NUT | ECROU | MUTTER |
| 16 | 22399803/0 | 2 | MANOPOLINA | KNOB | POIGNÉE | GRIF |
| 17 | 22680006/1 | 2 | RONDELLA | WASHER | RONDELLE | SCHEIBE |
| 18 | 81007028/0 | 1 | MANICO | HANDLE | MANCHERON | HOLM |

| Pos. Nr. | Codice Code Kodex | Q.tà Q.ty-Q.tè Menge | Descrizione | Description | Description | Beschreibung |
|----------|-------------------|----------------------|----------------------------|----------------------------|----------------------------|---------------------------|
| 19 | 22778397/ 0 | 1 | STAFFA SX | LEFT BRACKET | BRIDE GAUCHE | LINKE PRATZE |
| 20 | 12819120/ 0 | 1 | VITE | SCREW | VIS | SCHRAUBE |
| 21 | 12788910/ 0 | 2 | VITE | SCREW | VIS | SCHRAUBE |
| 22 | 12728460/ 0 | 2 | VITE | SCREW | VIS | SCHRAUBE |
| 23 | 81007091/ 0 | 1 | ACCELERATORE (B&S) | TROTTLE (B&S) | ACCELERATEUR (B&S) | BESCHLEUNIGER (B&S) |
| — | 81007092/ 0 | 1 | (TECUMSEH-HONDA) | (TECUMSEH-HONDA) | (TECUMSEH-HONDA) | (TECUMSEH-HONDA) |
| 24 | 81000628/ 0 | 1 | CAVO FRENO MOTORE (HONDA) | THREAD MOTOR BRAKE (HONDA) | CABLE FREIN MOTEUR (HONDA) | MOTORBREMSEKABEL (HONDA) |
| — | 81000629/ 1 | 1 | (TECUMSEH) | (TECUMSEH) | (TECUMSEH) | (TECUMSEH) |
| — | 81000634/ 0 | 1 | (B&S) | (B&S) | (B&S) | (B&S) |
| 25 | 12523020/ 0 | 2 | RONDELLA | WASHER | RONDELLE | SCHEIBE |
| 26 | 12581500/ 0 | 2 | RONDELLA | WASHER | RONDELLE | SCHEIBE |
| 27 | 12291000/ 0 | 2 | DADO | NUT | ECROU | MUTTER |
| 28 | 22041966/ 0 | 2 | BUSSOLA | BUSH | DOUILLE | BUCHSE |
| 29 | 81003291/ 0 | 1 | LEVA | LEVER | LEVIER | HEBEL |
| 30 | 12290800/ 0 | 2 | DADO | NUT | ECROU | MUTTER |
| 31 | 22399801/ 0 | 1 | MANOPOLINA | KNOB | POIGNÉE | GRIF T |
| 32 | 12726388/ 0 | 1 | VITE | SCREW | VIS | SCHRAUBE |
| 33 | 22120150/ 0 | 1 | CRUSCOTTO ROSSO | DASH BOARD RED | CONSOLE ROUGE | KONSOLE ROTE |
| — | 22120148/ 0 | 1 | GIALLO | YELLOW | JAUNE | GELBE |
| — | 22120164/ 0 | 1 | NERO | BLACK | NOIRE | SCHWARZE |
| 34 | 22943006/ 0 | 1 | VITE | SCREW | VIS | SCHRAUBE |
| 35 | 14356692/ 0 | 1 | ETICHETTA (TECUMSEN-HONDA) | LABEL (TECUMSEN-HONDA) | ÉTIQUETTE (TECUMSEN-HONDA) | ETIKETTE (TECUMSEN-HONDA) |
| — | 14356693/ 0 | 1 | (B&S) | (B&S) | (B&S) | ETIKETTE (B&S) |
| 36 | 12154330/ 0 | 1 | DADO | NUT | ECROU | MUTTER |
| 37 | 22430309/ 0 | 1 | MOLLA GUIDA | SPRING | RESSORT | FEDER |
| 38 | 12793301/ 0 | 2 | VITE | SCREW | VIS | SCHRAUBE |
| 39 | 22778396/ 0 | 1 | STAFFA DX | RIGHT BRACKET | BRIDE DROITE | RECHTE PRATZE |
| 40 | 12155000/ 0 | 4 | DADO | NUT | ECROU | MUTTER |
| 41 | 22601001/ 0 | 1 | PROTEZIONE | PROTECTION | PROTECTION | SCHUTZ |
| 42 | 22545156/ 0 | 2 | PIASTRINA | PLATE | PLAQUETTE | PLATTE |
| 43 | 12731350/ 0 | 8 | VITE | SCREW | VIS | SCHRAUBE |
| 44 | 22545152/ 0 | 2 | PIASTRINA | PLATE | PLAQUETTE | PLATTE |
| 45 | 12729600/ 0 | 2 | VITE | SCREW | VIS | SCHRAUBE |
| 46 | 12523040/ 0 | 1 | RONDELLA | WASHER | RONDELLE | SCHEIBE |
| 47 | 12789000/ 0 | 2 | VITE | SCREW | VIS | SCHRAUBE |
| 48 | 12523020/ 0 | 1 | RONDELLA | WASHER | RONDELLE | SCHEIBE |
| 49 | 12154330/ 0 | 1 | DADO | NUT | ECROU | MUTTER |
| 50 | 22041965/ 0 | 2 | BUSSOLA | BUSH | DOUILLE | BUCHSE |
| 51 | 81003288/ 1 | 1 | LEVA TRAZIONE | DRIVING LEVER | LEVIER TRACTION | ANTRIEBHEBEL |
| 55 | 22291050/ 0 | 1 | IMPUGNATURA MANICO NERA | HANDGRIP BLACK | POIGNÉE NOIRE | HANDGRIF F SCHWARZER |
| — | 22291051/ 0 | 1 | ROSSA | RED | ROUGE | RÖTER |
| — | 22291052/ 0 | 1 | GIALLA | YELLOW | JAUNE | GELBER |

| | VARIANTI PER AVVIAMENTO ELETTRICO | PARTS OF ELECTRIC START | COMPOSANTS POUR DÉMARRAGE ÉLECTRIQUE | ELEKTROSTART BESTANDTEILE | | |
|-----|-----------------------------------|-------------------------|--------------------------------------|---------------------------|----------------------|--------------------|
| 201 | 18450050/ 0 | 1 | INTERRUPTORE | SWITCH | INTERRUPTEUR | SCHALTER |
| 202 | 18204190/ 2 | 1 | CAVO AVVIAMENTO | START CABLE | CABLE DÉMARRAGE | START KABEL |
| 203 | 18120050/ 0 | 1 | BATTERIA | BATTERY 12V-2.5AH | BATTERIE 12V-2.5HA | BATTERIE 12V-2.5AH |
| 204 | 18204110/ 0 | 1 | CARICA BATTERIA | BATTERY CHARGER | CHARGEUR DE BATTERIE | LADGERÄT |



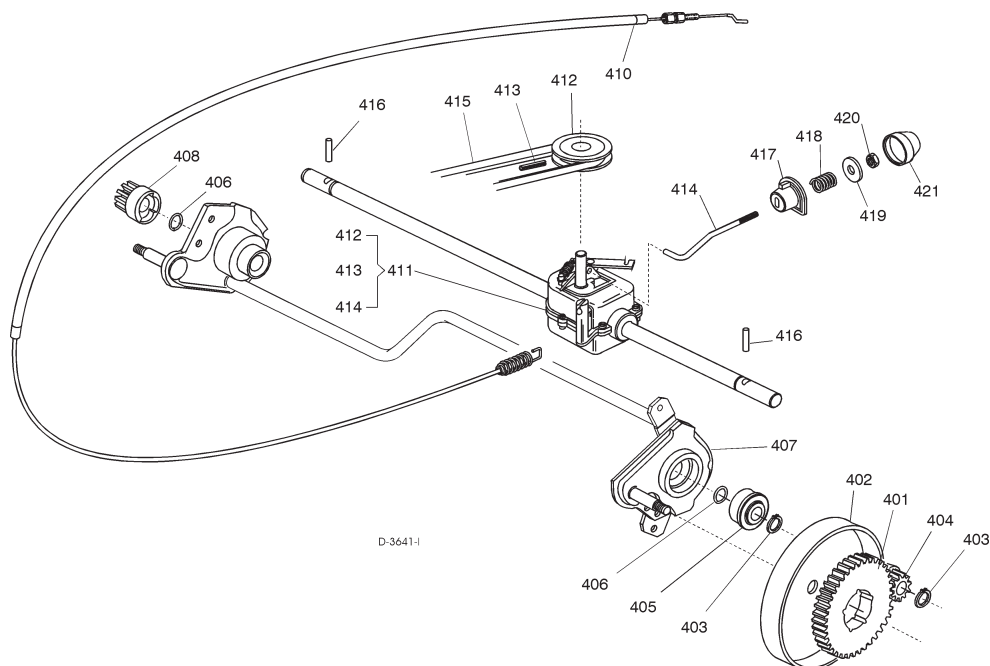
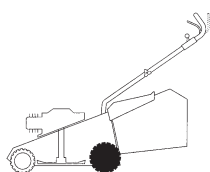
| Pos. Nr. | Codice Code Kodex | Q.tà Q.ty-Q.tè Menge | Descrizione | Description | Description | Beschreibung |
|----------|-------------------|----------------------|---------------------------|--------------------------|---------------------------|---------------------------|
| 71 | 81002801/ 0 | 1 | ASSE RUOTE ANTERIORI | FRONT WHEELS AXLE | AXE ROUES AVANT | VORDERRADACHSE |
| 72 | 12000930/ 0 | 2 | ANELLO ELASTICO | ELASTIC RING | ANNEAU ELASTIQUE | ELASTISCHER RING |
| 73 | 81001134/ 0 | 1 | ASTA | ROD | TIGE | STAB |
| — | 81001136/ 0 | 1 | ASTA COMANDO | ADJUSTMENT ROD | TIGE COMMANDE | STELLSTAB |
| 74 | 12530150/ 0 | 2 | ASTA (HONDA GCV 135/ 160) | ROD (HONDA GCV 135/ 160) | TIGE (HONDA GCV 135/ 160) | STAB (HONDA GCV 135/ 160) |
| 75 | 22122200/ 0 | 8 | RONDELLA ELASTICA | ELASTIC WASHER | RONDELLE ELASTIQUE | ELASTISCHE SCHEIBE |
| 76 | 81007317/ 0 | 2 | CUSCINETTO | BEARING | COUSSINET | KUGELLAGER |
| 77 | 81007317/ 0 | 2 | RUOTA SCOLPITA Ø 170 | KNOBBLY WHEEL Ø 170 | ROUE SCULPTEE Ø 170 | RAD. M. STOLLENPR. Ø 170 |
| 78 | 12521350/ 0 | 4 | RONDELLA | WASHER | RONDELLE | SCHEIBE |
| 79 | 12155000/ 0 | 4 | DADO | NUT | ECROU | MUTTER |
| — | 22110282/ 0 | 2 | COPRIMOZZO | HUB CAP | COUVRE-MOYEU | RADKAPPE |
| — | 22110288/ 0 | 2 | BIANCO | WHITE | BLANC | WEIßE |
| — | 22110287/ 0 | 2 | GIALLO | YELLOW | JAUNE | GELBE |
| — | 22110290/ 1 | 2 | ROSSO | RED | ROUGE | ROTE |
| 81 | 81007318/ 0 | 2 | RUOTA SCOLPITA Ø 210 | KNOBBLY WHEEL Ø 210 | ROUE SCULPTEE Ø 210 | RAD M. STOLLENPR. Ø 210 |
| 82 | 22110281/ 0 | 2 | COPRIMOZZO | HUB CAP | COUVRE-MOYEU | RADKAPPE |
| — | 22110281/ 0 | 2 | BIANCO | WHITE HUB CAP | COUVRE-MOYEU BLANC | WEIßE RADKAPPE |
| — | 22110287/ 0 | 2 | GIALLO | YELLOW HUB CAP | COUVRE-MOYEU JAUNE | GELBE RADKAPPE |
| — | 22110289/ 0 | 2 | ROSSO | RED HUB CAP | COUVRE-MOYEU ROUGE | ROTE RADKAPPE |
| 83 | 12728519/ 0 | 3 | VITE | SCREW | VIS | SCHRAUBE |
| 84 | 22060144/ 0 | 1 | CARTER REGOLAZIONE | ADJUSTMENT DECK | CHÂSSIS REGLAGE | VERSTELLUNGSGEHÄUSE |
| 85 | 22529662/ 0 | 1 | PERNO FULCRO | FULCRUM PIN | PIVOT | BOLZEN |
| 86 | 22672151/ 0 | 1 | RONDELLA | WASHER | RONDELLE | SCHEIBE |
| 87 | 81001269/ 0 | 1 | ASTA ASSE POSTERIORE | ROD REARAXLE | BARRE AXE POSTERIEUR | HINTERACHSESTAB |
| 88 | 81000479/ 0 | 1 | SETTORE DI REGOLAZIONE | ADJUSTMENT SECTOR | SECTEUR REGLAGE | VERSTELLUNGSEKTOR |
| 89 | 22672152/ 0 | 1 | RONDELLA | WASHER | RONDELLE | SCHEIBE |
| 90 | 22785109/ 0 | 1 | SUPPORTO REGOLAZIONE | SUPPORT | SUPPORT REGLAGE | VERSTELLUNGHALTER |
| 91 | 12293201/ 0 | 4 | DADO | NUT | ECROU | MUTTER |
| 92 | 12729600/ 0 | 1 | VITE | SCREW | VIS | SCHRAUBE |
| 93 | 22785113/ 0 | 1 | SUPPORTO MANIGLIA | HANDLE SUPPORT | SUPPORT POIGNÉE | GRIFFHALTER |
| 94 | 12793301/ 0 | 3 | VITE | SCREW | VIS | SCHRAUBE |
| 95 | 12604899/ 0 | 2 | ANELLO ELASTICO | ELASTIC RING | ANNEAU ELASTIQUE | ELASTISCHER RING |
| 96 | 22446180/ 0 | 1 | MOLLA | SPRING | RESSORT | FEDER |
| 97 | 25038002/ 0 | 2 | BUSSOLA | BUSH | DOUILLE | BUCHSE |
| 98 | 22393611/ 1 | 1 | MANIGLIA | HANDLE | POIGNÉE | GRIFF |
| 99 | 12622640/ 0 | 1 | SPINA | PIN | GOUPILLE | STIFT |
| 100 | 22446175/ 0 | 1 | MOLLA | SPRING | RESSORT | FEDER |
| 101 | 22570200/ 0 | 1 | PLACCHETTA POSIZIONI | POSITION PLATE | PLAQUETTE REGLAGE | VERSTELLUNGPLATTE |
| 102 | 12728520/ 0 | 1 | VITE | SCREW | VIS | SCHRAUBE |

GRUPPO TRAZIONE

REAR DRIVE

GROUPE TRACTION

ANTRIEB



| | | | | | | |
|-----|-------------|---|-----------------------|------------------|------------------------|-------------------|
| 401 | 22120105/ 1 | 2 | CORONA | RING GEAR | COURONNE | KRANZ |
| 402 | 81006846/ 0 | 2 | PROTEZIONE RUOTE | WHEEL GUARD | PROTECTION ROUE | RÄDERSCHUTZ |
| 403 | 12608600/ 0 | 4 | SEEGER | SEEGER | SEEGER | SEEGER |
| 404 | 22570120/ 0 | 1 | PIGNONE SINISTRO | LEFT PINION | PIGNON GAUCHE | LINKES RITZEL |
| 405 | 22122200/ 0 | 2 | CUSCINETTO | BEARING | ROULEMENT | KUGELLAGER |
| 406 | 12019900/ 0 | 2 | ANELLO OR | OR RING | BAGUE OR | RING OR |
| 407 | 81002808/ 1 | 1 | ASSE RUOTE POSTERIORI | REAR WHEELS AXLE | AXE ROUES ARRIERE | HINTERRADACHSE |
| 408 | 22570110/ 0 | 1 | PIGNONE DESTRO | RIGHT PINION | PIGNON DROITE | RECHTES RITZEL |
| 410 | 81001145/ 0 | 1 | ASS. COMANDO TRAZIONE | REAR DRIVE ASS.Y | ENS. COMMANDE TRACTION | ANTRIEBKABEL |
| 411 | 81003070/ 0 | 1 | ASS. GRUPPO TRAZIONE | GEAR BOX ASS.Y | ENS. GROUPE TRACTION | ANTRIEBSATZ |
| 412 | 22601904/ 0 | 1 | PULEGGIA | PULLEY | POULIE | RIEMENSCHIEBE |
| 413 | 12645705/ 0 | 1 | SPINA | PIN | GOUPILLE | STIFT |
| 414 | 22033281/ 0 | 1 | ASTA REGOLAZIONE | ADJUSTMENT ROD | TIGE REGLAGE | VERSTELLUNGSTANGE |
| 415 | 35064195/ 0 | 1 | CINGHIA Z 33 | BELT Z 33 | COURROIE Z 33 | RIEMEN Z 33 |
| 416 | 22753000/ 0 | 2 | SPINA | PIN | GOUPILLE | STIFT |
| 417 | 22041957/ 0 | 1 | BUSSOLA | BUSH | DOUILLE | BUCHSE |
| 418 | 22450063/ 0 | 1 | MOLLA | SPRING | RESSORT | FEDER |

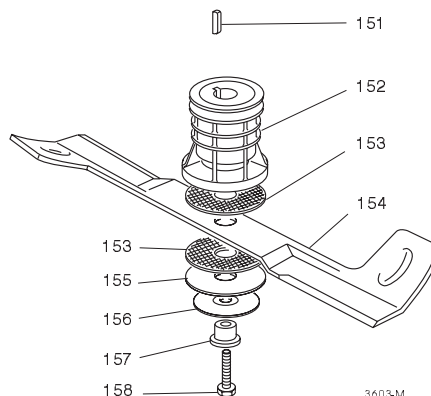
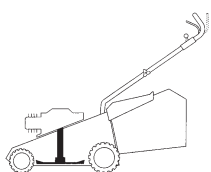
| Pos. Nr. | Codice Code Kodex | Q.tà Q.ty-Q.tè Menge | Descrizione | Description | Description | Beschreibung |
|----------|-------------------|----------------------|-------------|-------------|-------------|--------------|
| 419 | 22680009/ 0 | 1 | RONDELLA | WASHER | RONDELLE | SCHEIBE |
| 420 | 12154510/ 0 | 1 | DADO | NUT | ECROU | MUTTER |
| 421 | 22110230/ 0 | 1 | TAPPO | CAP | BOUCHON | GUMMISTOPFEN |

GRUPPO COLTELLO

BLADE ASS.Y

GROUPE LAME

MESSERSATZ



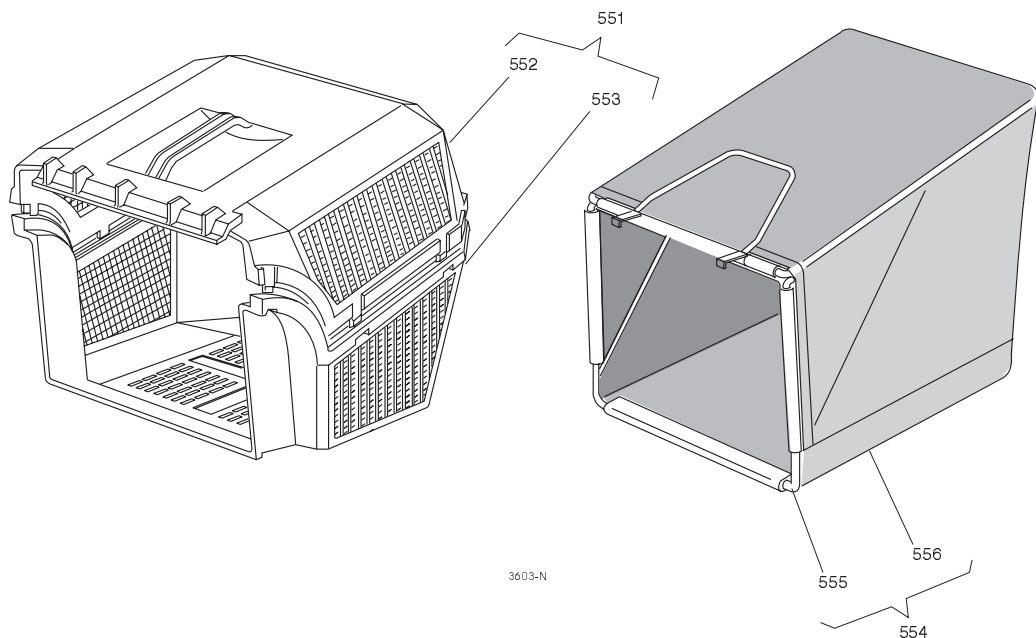
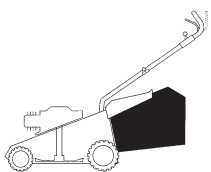
| | | | | | | | |
|-----------|-----|-------------|---|-------------------|---------------|-------------------|-----------------|
| T-3643/ M | 151 | 12139100/ 0 | 1 | LINGUETTA | FEATHER | CLAVETTE | KEIL |
| | 152 | 22465611/ 0 | 1 | MOZZO | HUB | MOYEU | NABE |
| | 153 | 22672110/ 1 | 2 | RONDELLA FRIZIONE | CLUTCH WASHER | RONDELLE FRICTION | KUPPLUNGSCHEIBE |
| | 154 | 81004398/ 0 | 1 | COLTELLO | BLADE | LAME | MESSER |
| | 155 | 12508120/ 0 | 1 | MOLLA A TAZZA | CUPPED SPRING | RESSORT | TELLER FEDER |
| | 156 | 22672105/ 0 | 1 | RONDELLA | WASCHER | RONDELLE | SCHEIBE |
| | 157 | 22041940/ 0 | 1 | BUSSOLA FRIZIONE | CLUTCH BUSH | DOUILLE FRICTION | KUPPLUNGSCHEIBE |
| | 158 | 12736850/ 0 | 1 | VITE | SCREW | VIS | SCHRAUBE |

SACCO RACCOGLIERBA

GRASS-CATCHER

BAC DE RAMASSAGE

GRASFANGKORB



| | | | | | | | |
|-----------|-----|-------------|---|---------------------|----------------------|-----------------------|-----------------|
| T-3640/ N | 551 | 96500000/ 0 | 1 | SACCO COMPLETO | COMPLETE GRASS-BOX | BAC COMPLETE | KOMPLETER KORB |
| | 552 | 22486065/ 0 | 1 | PORTE SUPER. SACCO | UPPER GRASS-BOX | PORTE SUPERIEURE SAC | OBERKORB |
| | 553 | 22486064/ 0 | 1 | PORTE INFER. SACCO | LOWER GRASS-BOX | PORTE INFERIEURE SAC | UNTERKORB |
| | 554 | 96400000/ 0 | 1 | ASS. SACCO TELA | CANVASS GRASSCATCHER | ENSEMBLE SAC EN TOILE | KOMPLETTER SACK |
| | | | | | ASS.Y | | |
| | | | | | | | |
| | 555 | 81006430/ 0 | 1 | TELAIO | CHASSIS | CHASSIS | RAHMEN |
| | 556 | 81002124/ 0 | 1 | TELA SACCO | FABRIC BOX | TOILE POUR SAC | TUCK FÜR SACK |
| | — | 81008610/ 0 | 1 | DOTAZIONE VITERIA | SCREWS OUTFIT | DOTATION VISSERIE | SCHRAUBEN SATZ |
| | — | 81008499/ 1 | 1 | DOTAZIONE CRUSCOTTO | DASH-BOARD OUTFIT | DOTATION CONSOLE | KONSOLE SATZ |