



Green Passion

Illustrated Parts List

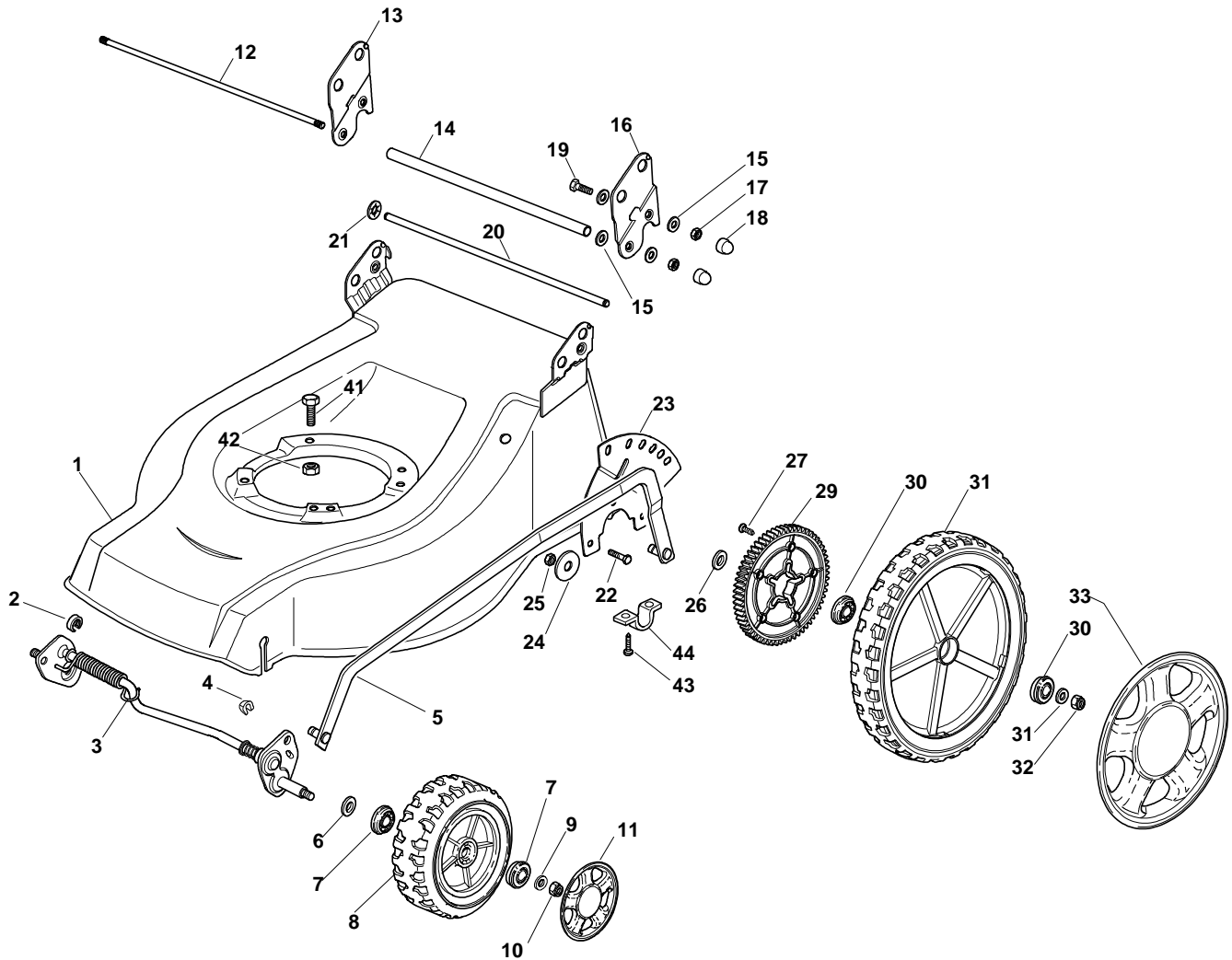
**XSIW 55 MHS 4 INOX - Model Year
2010**

- Use GLOBAL GARDEN PRODUCT Genuine Spare Parts specified in the parts list for repair and/or replacement.
- The contents described in the parts list may change due to improvement.
- The drawings of the spare parts are only indicative and might not represent the part in question exactly.
- The indications "right" - "left" - "front" - "rear" refer to the position of the operator when using the machine.
- When placing orders of parts for repair and/or replacement, make sure that the illustrated parts list is the one applying to the machine's year of manufacture, as shown on the identification plate attached to the machine.

COPYRIGHT by GLOBAL GARDEN PRODUCTS

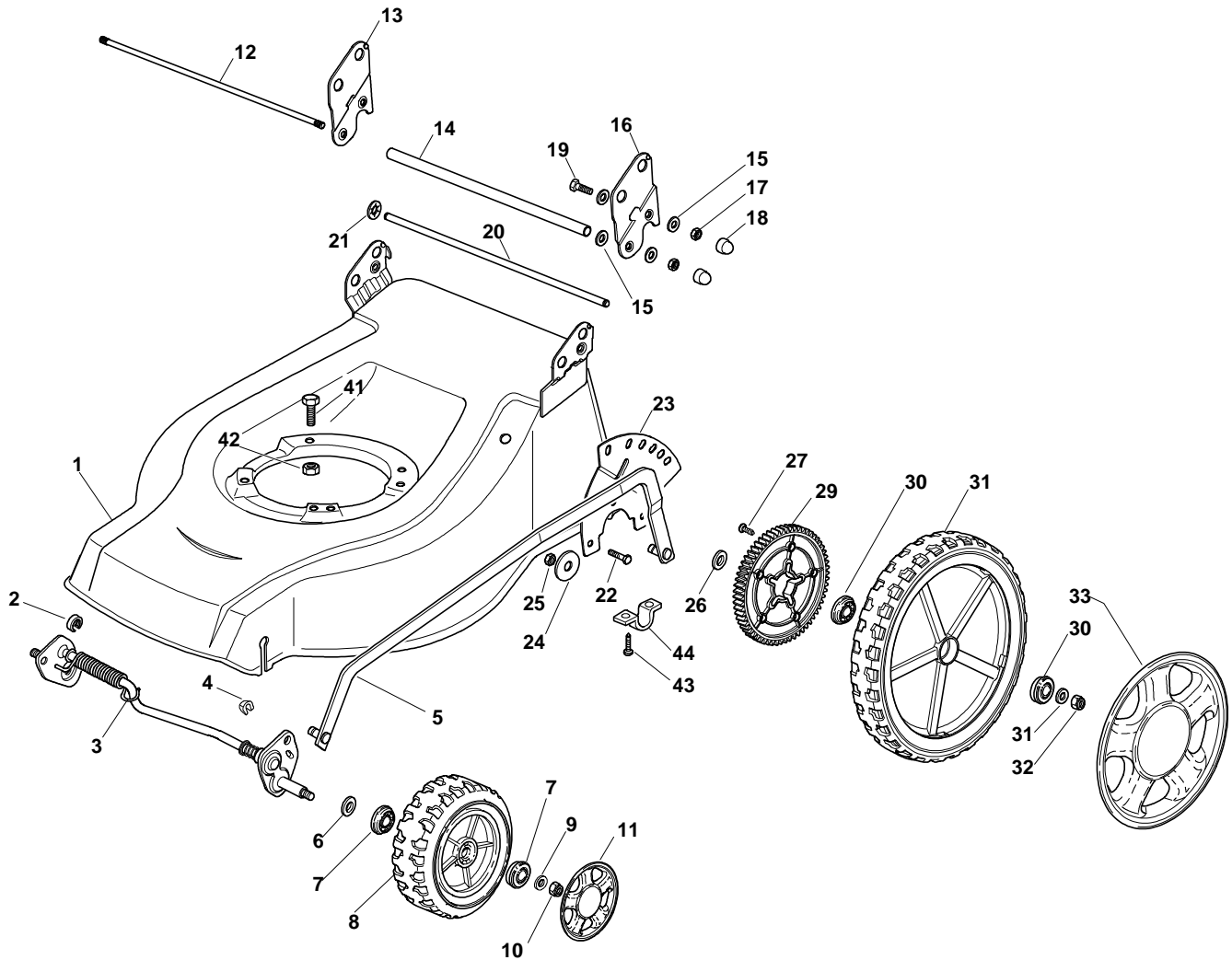
All rights reserved. No part of this material may be reproduced or transmitted, in any form or by any means, electronic or mechanical, including photocopying, recording or by any information storage and retrieval system, without permission in writing from GLOBAL GARDEN PRODUCTS.

Chassis/Wheels And Height Adjusting



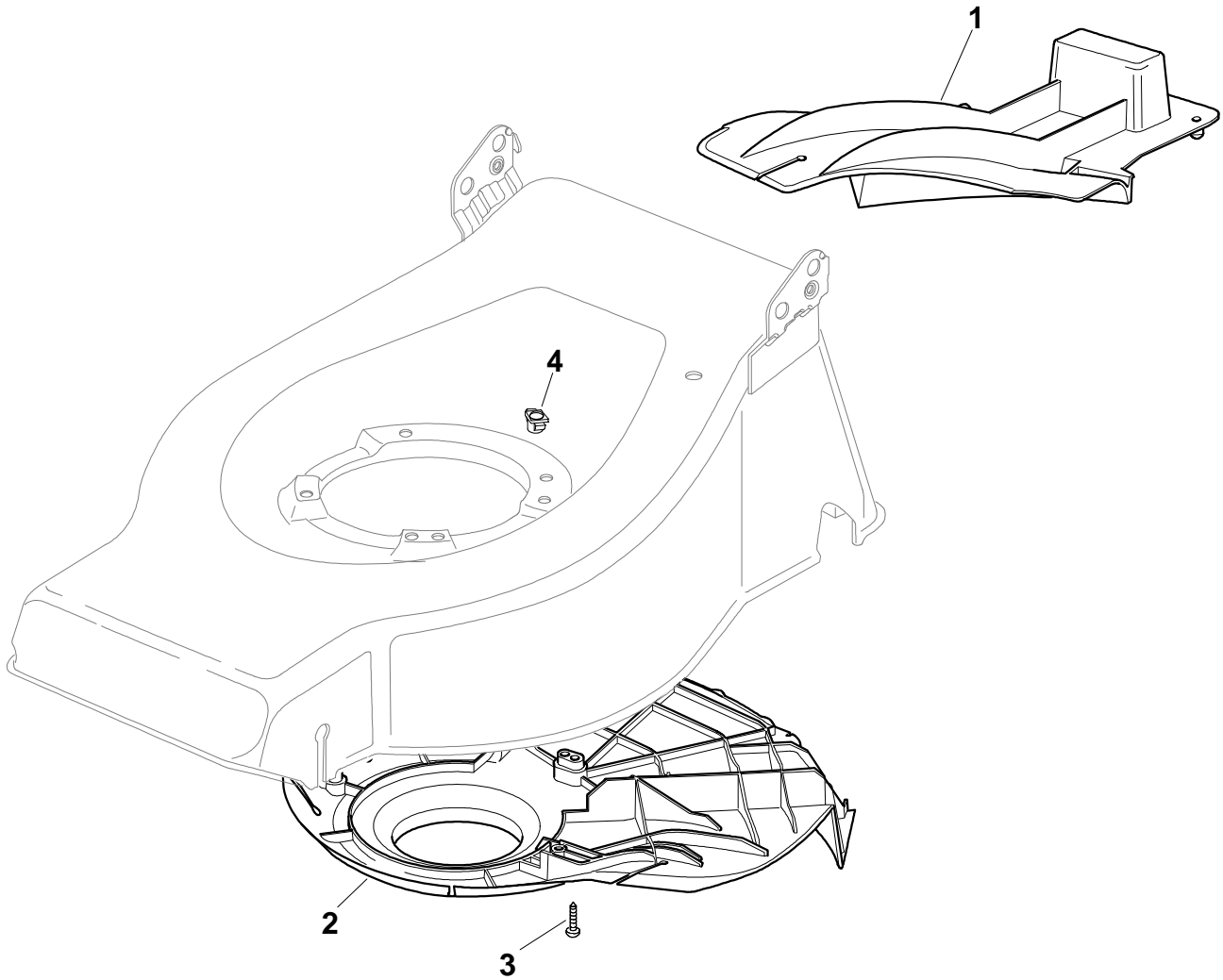
Pos.	Part no.	Q.ty	Description	Remarks
1	381003618/1	1	Deck INOX	
2	22171002/0	2	Spacer	
3	381002859/0	1	Axle, Front Wheels	
4	12436050/0	2	Plate	
5	381002017/0	1	Rod, Height Adjustment	
6	12530150/0	2	Washer	
7	22122200/0	4	Bearing	
8	81007343/0	2	Wheel	
9	12521350/0	2	Washer	
10	12155000/0	2	Nut	
11	22110382/0	2	Hub Cap	
12	22517702/1	1	Stone Guard Fulcrum	
13	22778427/0	1	Bracket, R	
14	22869717/0	1	Spacer	
15	22671653/0	8	Washer	
16	22778429/0	1	Bracket, L	
17	12155000/0	4	Nut	
18	18203854/0	4	Protection	
19	12793301/0	2	Screw	
20	22517860/0	1	Pin	
21	12604899/0	2	Crown Fastener	
22	12792611/0	3	Screw	
23	322735579/1	1	Sector, Height Adjustment	
24	12523060/0	3	Washer	
25	12155000/0	3	Nut	

Chassis/Wheels And Height Adjusting



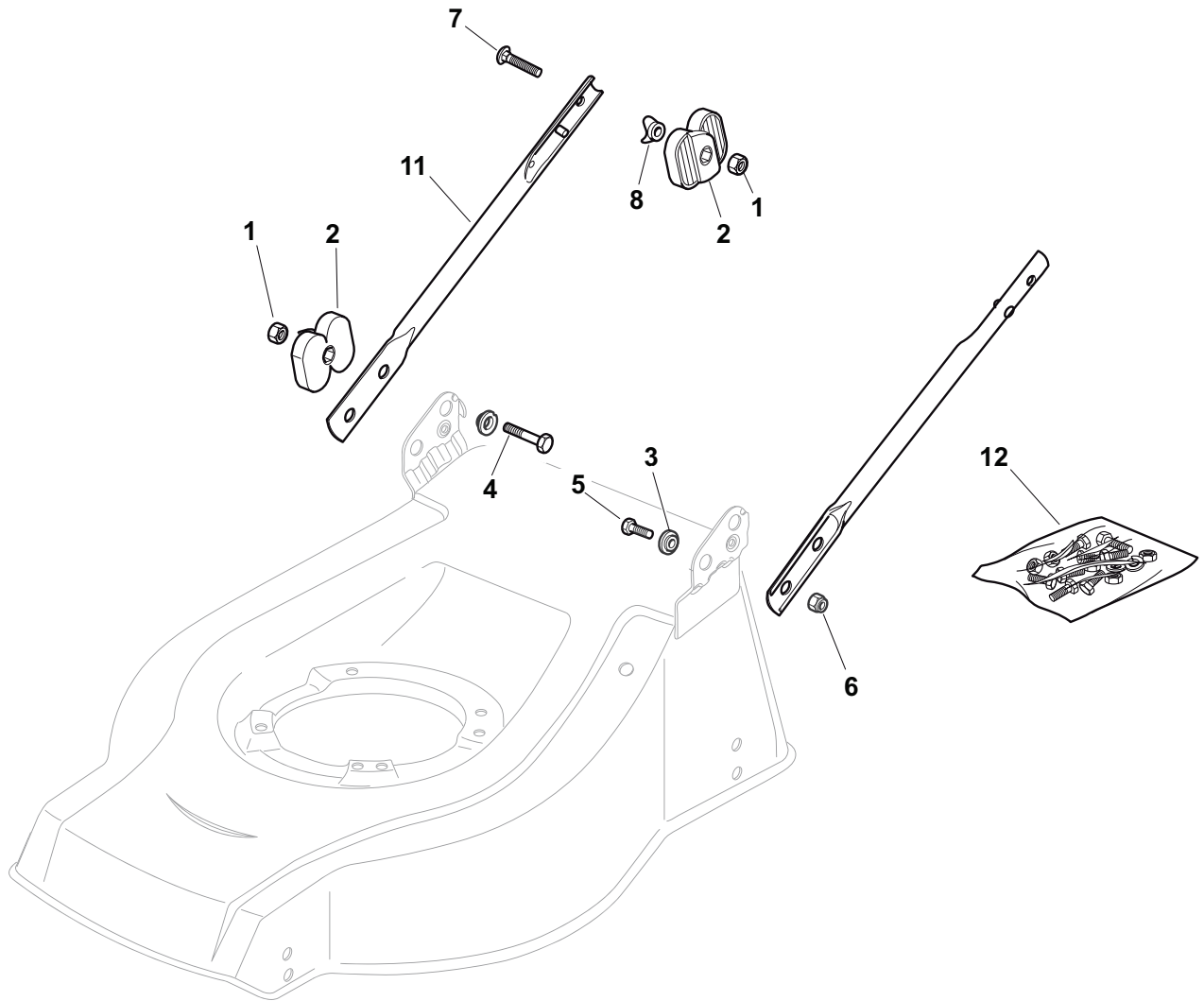
Pos.	Part no.	Q.ty	Description	Remarks
26	22675100/0	2	Washer	
27	12728691/0	6	Screw	
28	22120110/0	2	Sprocket	
29	22122200/0	4	Bearing	
30	81007380/0	2	Wheel	
31	12521350/0	4	Washer	
32	12155000/0	2	Nut	
33	22110511/0	2	Hub Cap, Grey D.300	
41	12691800/0	1	Screw	
41	12793701/0	3	Screw	
42	12155000/0	1	Nut	
42	12293201/0	3	Nut	
43	12731350/0	4	Screw	
44	22545152/0	2	Plate	

Protection, Belt

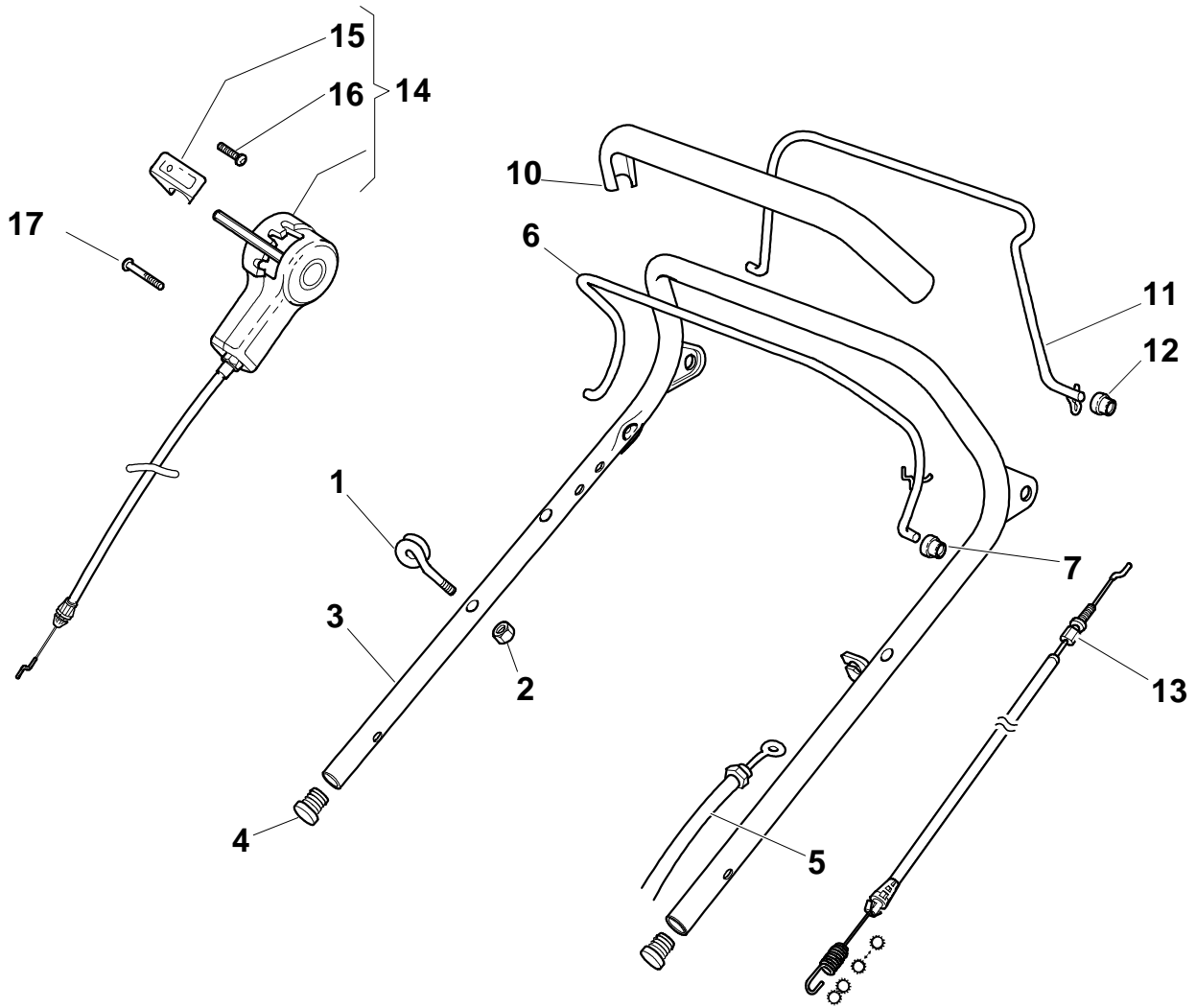


Pos.	Part no.	Q.ty	Description	Remarks
------	----------	------	-------------	---------

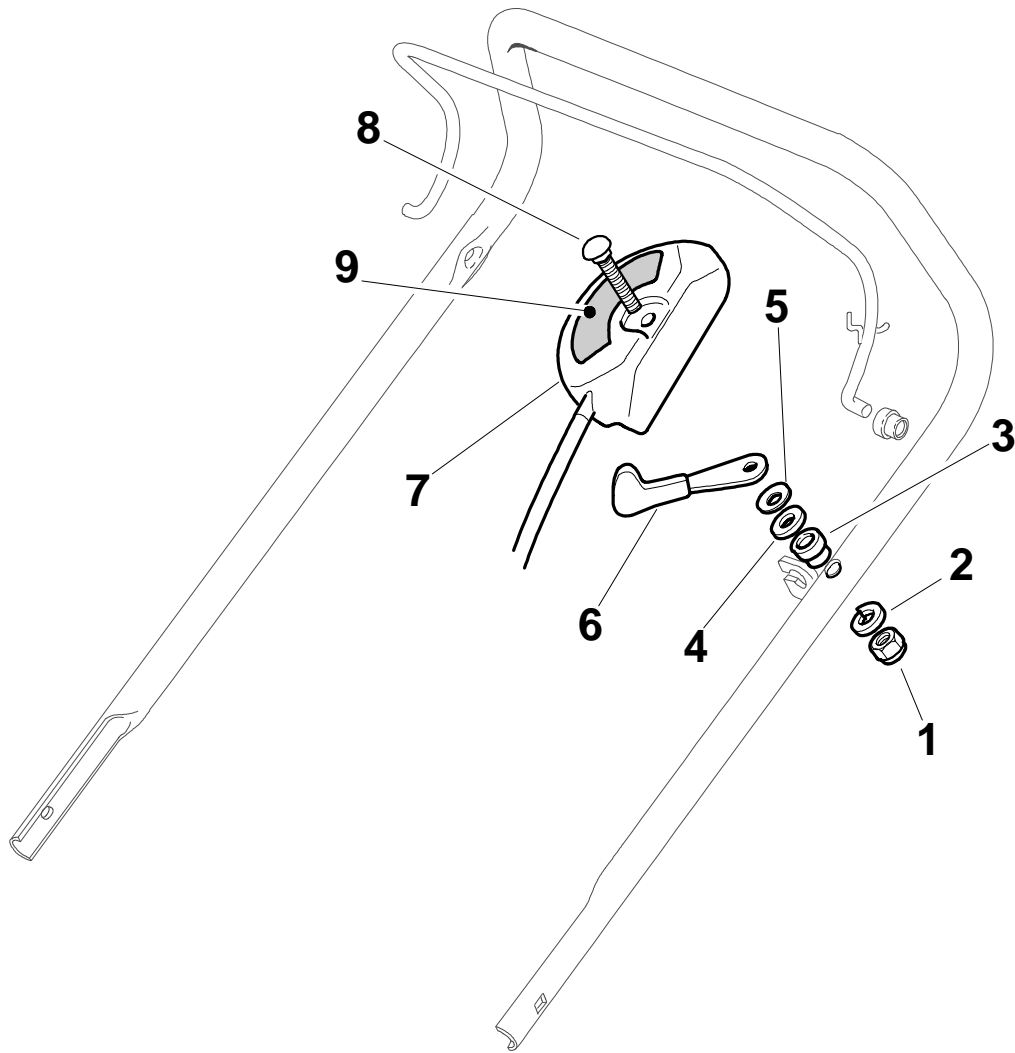
1	22140222/0	1	Deflector	
2	322060197/2	1	Protection	
3	12728530/0	3	Screw	
4	22291150/0	1	Rubber Insert	

Handle, Lower Part


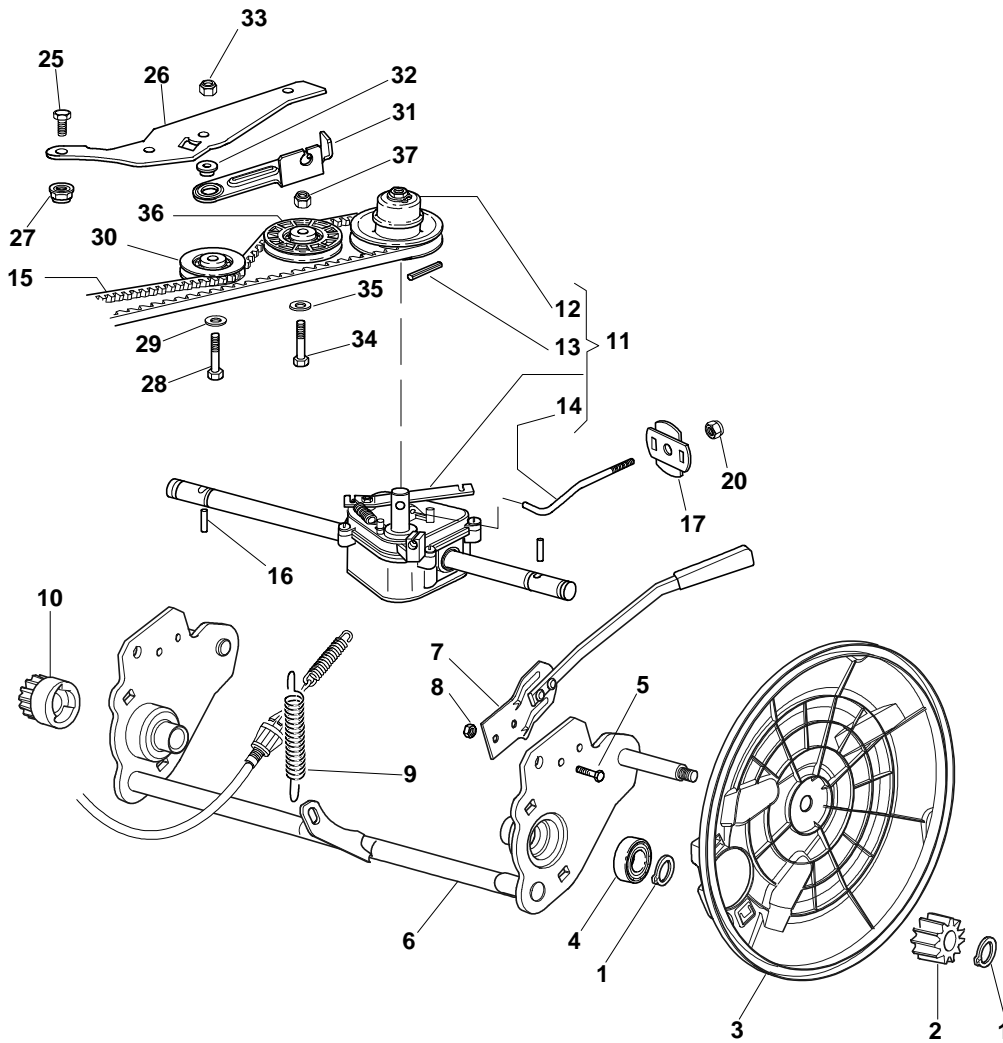
Pos.	Part no.	Q.ty	Description	Remarks
1	12293202/0	4	Nut	
2	22399803/0	4	Knob	
3	22041955/0	4	Bush	
4	12793700/0	2	Screw	
5	12792610/0	2	Screw	
6	12155000/0	2	Nut	
7	12819125/0	2	Screw	
8	22680006/1	2	Washer	
11	81006973/0	2	Handle, Lower Part	
12	81008633/0	1	Outfit, Screws	

Handle, Upper Part


Pos.	Part no.	Q.ty	Description	Remarks
1	22430309/0	1	Guide Spring	
2	12154330/0	1	Nut	
3	81006989/0	1	Handle, Upper Part	
4	18566112/0	2	Cap	
5	181000761/0	1	Cable, Thread Engine Brake	534 W TR (B&S 500 Series)
5	181000761/0	1	Cable, Thread Engine Brake	534 W TR (B&S 625-675 Series)
5	181030009/0	1	Cable, Thread Engine Brake	534 W TR (B&S 700 Series)
5	81000616/1	1	Cable, Thread Engine Brake	534 W TR (Honda Gcv 135-160)
5	81000622/2	1	Cable, Thread Engine Brake	534 W TR (Ggp 150cc)
5	81000756/0	1	Cable, Thread Engine Brake	534 W TR (Ggp 140cc)
5	81000756/0	1	Cable, Thread Engine Brake	534 W TR (Ggp 196cc)
5	81000756/0	1	Cable, Thread Engine Brake	534 W TR (Ggp 160cc)
6	81003291/3	1	Lever, Engine Brake	
7	22041966/0	2	Bush	
10	22291050/0	1	Handgrip Black	
11	22041965/1	2	Bush	
12	81003288/1	1	Lever, Driving	
13	81000668/1	1	Cable, Rear Drive	(General Transmission)
13	81000672/0	1	Cable, Rear Drive	(Bi Ci Di)
14	81007109/0	1	Cable, Speed Drive Control	484 4S
14	81007110/0	1	Cable, Speed Drive Control	534 4S
15	22399809/0	1	Knob	
16	12728300/0	1	Screw	
17	12728702/0	2	Screw	

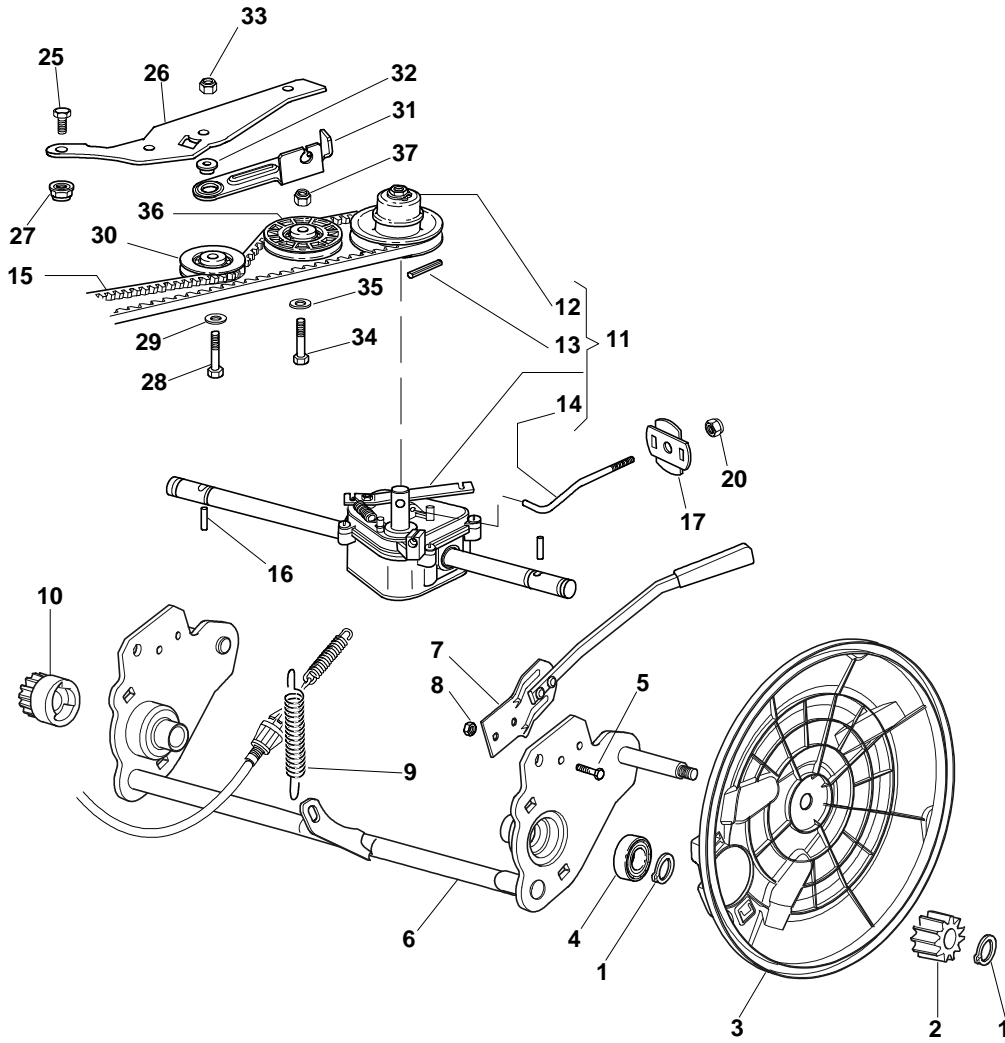
Controls


Pos.	Part no.	Q.ty	Description	Remarks
1	12291000/0	1	Nut	
2	12581500/0	1	Grower	
3	22171005/0	1	Spacer	
4	12521360/0	1	Washer	
5	12508100/0	1	Washer	
6	81007220/0	1	Lever, Throttle	(B&S 450-500 Series - Ggp 150 cc)
6	81007279/1	1	Lever, Throttle	(B&S 625-675-700 Series - Honda - Ggp 140-160-196 cc)
7	81007080/0	1	Cable, Trottle	
8	12815000/0	1	Screw	
9	114356905/0	1	Label	(B&S 700 series DOV)
9	114356905/0	1	Label	(Honda GCV 160-190 Autochoke)
9	114364264/0	1	Label	AVS (GGP 160-196)
9	14356702/0	1	Label	(Honda)
9	14356702/0	1	Label	(GGP)
9	14356703/0	1	Label	(B&S)

Rear Drive


Pos.	Part no.	Q.ty	Description	Remarks
1	12608600/0	4	Snap Ring	
2	22570110/1	1	Pinion R	
3	22600160/0	2	Protection, Wheel	
4	19216035/0	2	Bearing	
5	12789000/0	2	Screw	
6	381002853/2	1	Axle, Rear Wheels	
7	381003326/0	1	Lever, Height Adjustment	
8	12154330/0	2	Nut	
9	122450454/0	1	Spring	
10	22570120/1	1	Pinion L	
11	181003102/0	1	Gear Box	
12	122601925/0	1	Pulley	
13	12645700/0	1	Pin	
14	122033287/0	1	Adjustment Rod	
15	135064373/0	1	Belt Spzx 750	484
15	135064379/0	1	Belt Spzx 812	534
16	22753000/0	2	Pin	
17	22675113/0	2	Washer	
20	12154510/0	1	Nut	
25	12791011/0	1	Screw	
26	322806625/1	1	Support	
27	12292102/0	1	Nut	
28	12689500/0	1	Screw	
29	12523050/0	1	Washer	
30	22601915/0	1	Pulley	

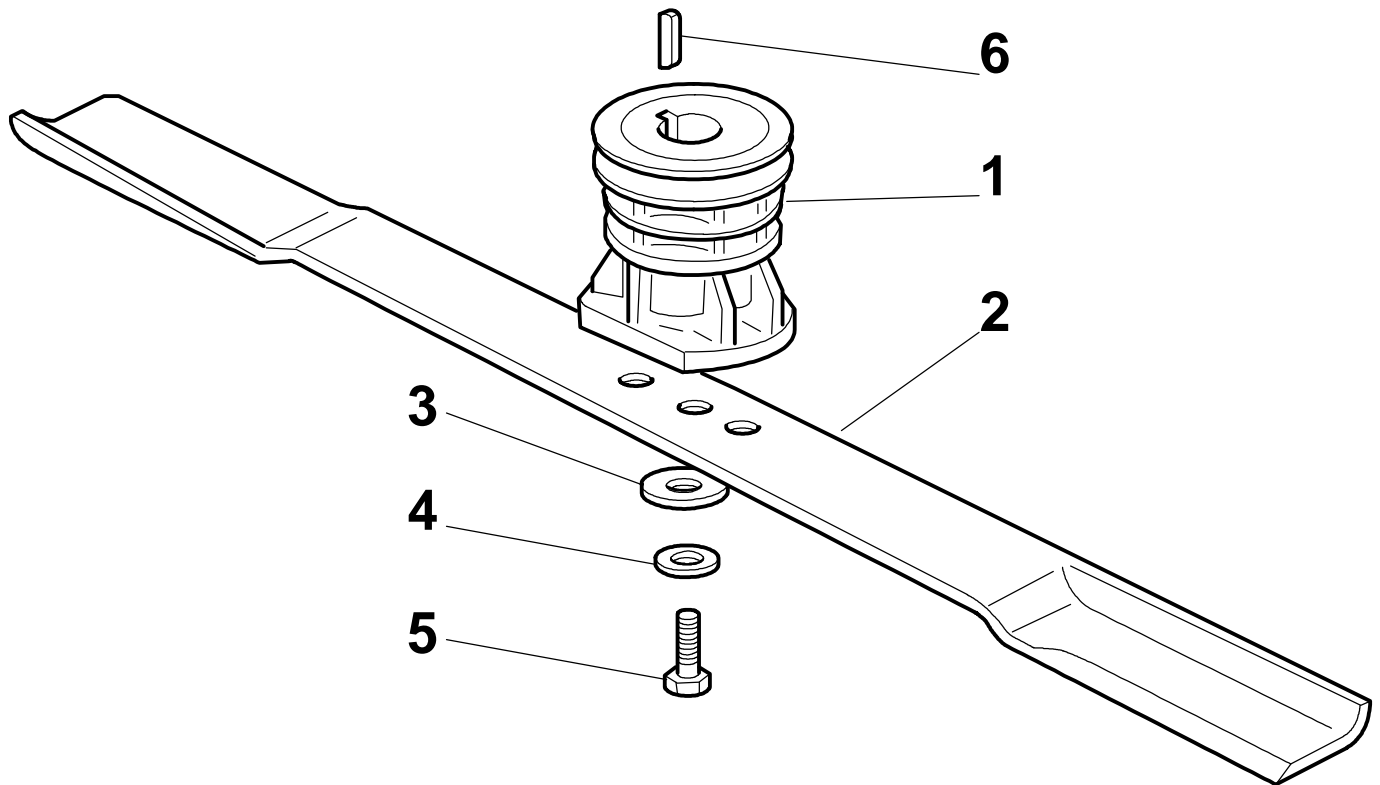
Rear Drive



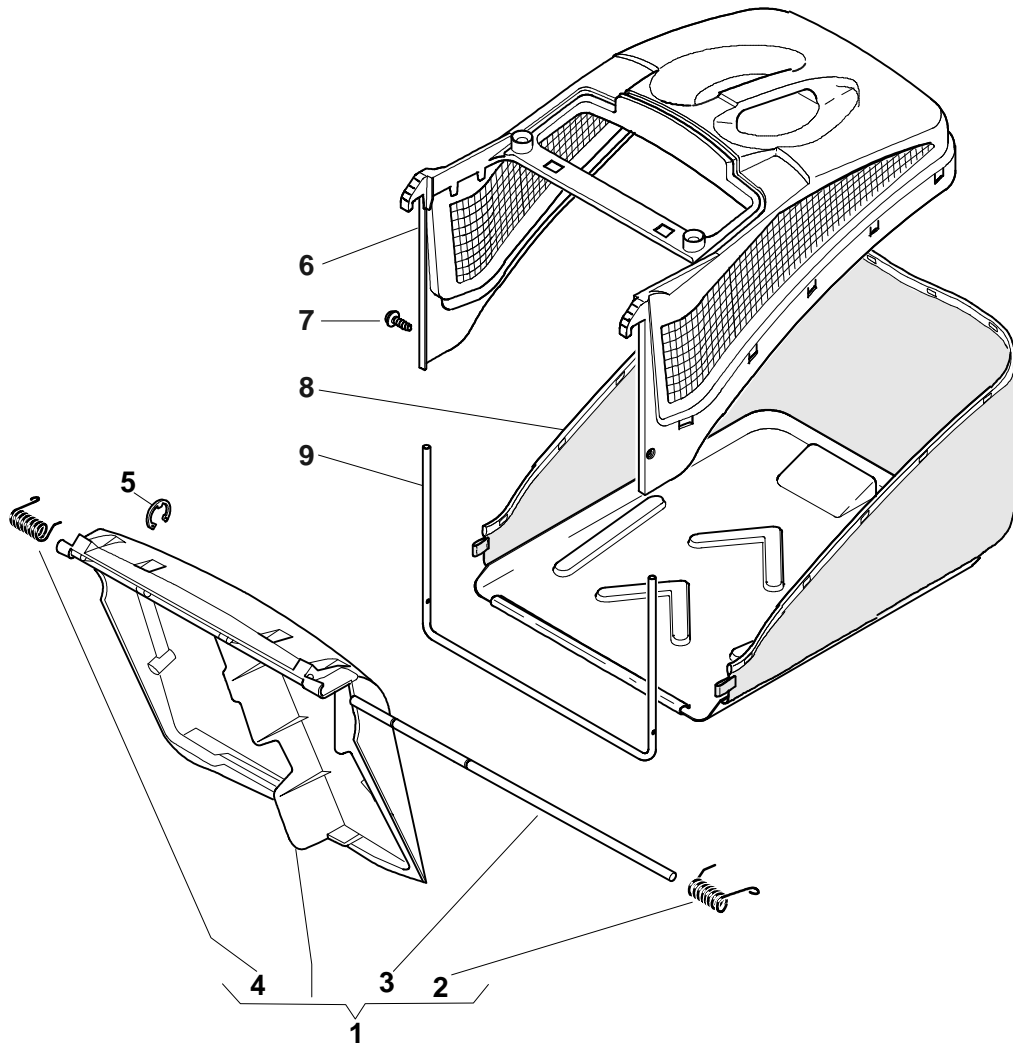
Pos.	Part no.	Q.ty	Description	Remarks
------	----------	------	-------------	---------

31	22806623/0	1	Support	
32	22671656/0	1	Washer	
33	12154510/0	1	Nut	
34	12674700/0	1	Screw	
35	12523050/0	1	Washer	
36	22601914/0	1	Pulley	
37	12154510/0	1	Nut	

Blade



Pos.	Part no.	Q.ty	Description	Remarks
1	122465608/2	1	Hub With Pulley, Crankshaft Ø 25	
2	81004381/1	1	Blade Standard	
2	81004398/0	1	Blade Standard	
3	22160400/0	1	Elastic Washer	
4	12523080/0	1	Washer	
5	12735698/0	1	Screw	
6	12139150/0	1	Feather	

Grass-Catcher


Pos.	Part no.	Q.ty	Description	Remarks
1	381008021/2	1	Stone-Guard Black	
2	22450410/1	1	R Spring	
3	22517906/1	1	Pin	
4	22450420/1	1	L Spring	
5	12000930/0	1	Snap Ring	
6	22486093/0	1	Grass-Box, Upper	
7	12728445/0	2	Screw	
8	81002195/0	1	Box, Fabric	
9	22608523/0	1	Stiffening Lower	