



Green Passion

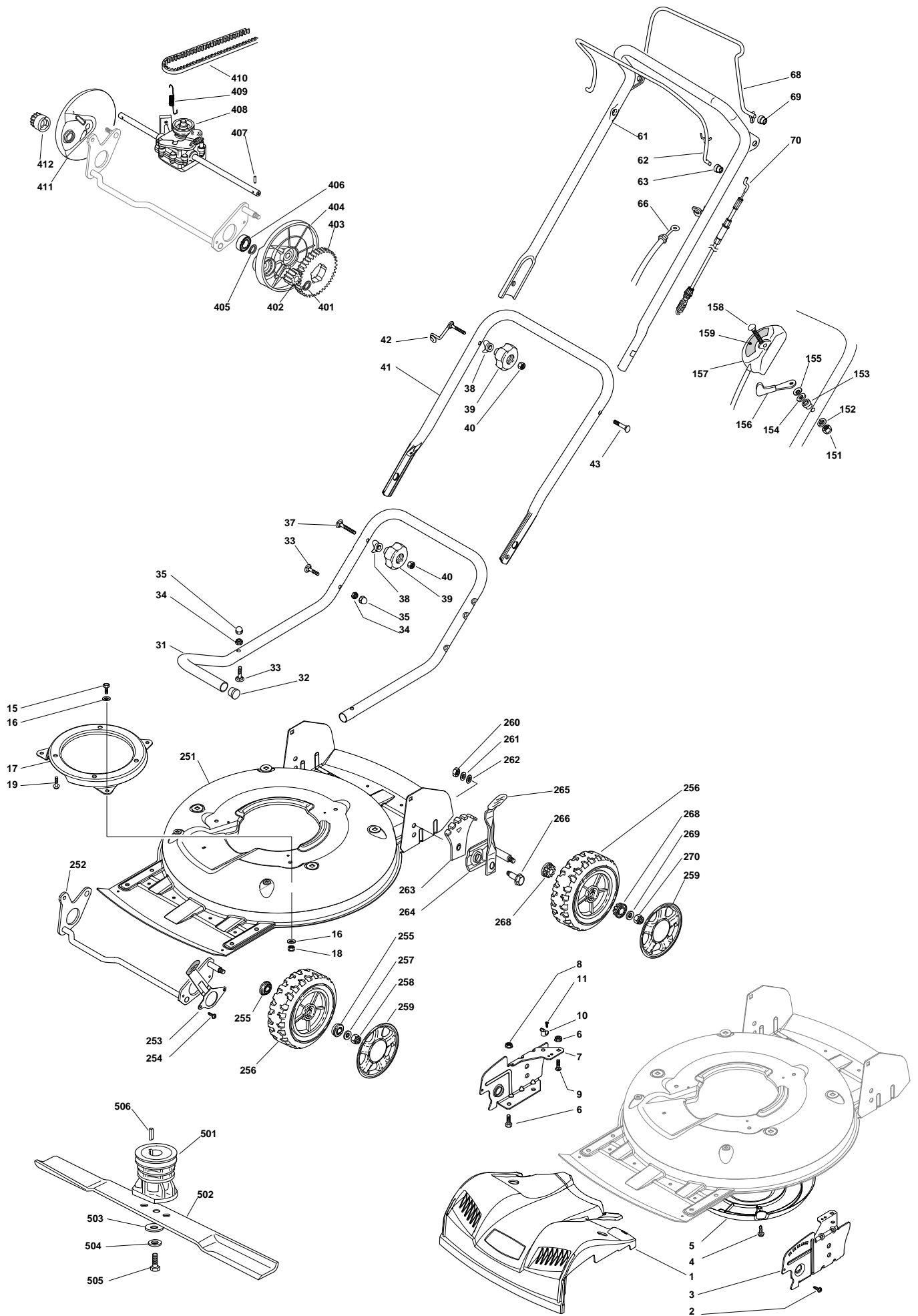
Illustrated Parts List

XSM 52 BS - Model Year 2008

- Use GLOBAL GARDEN PRODUCT Genuine Spare Parts specified in the parts list for repair and/or replacement.
- The contents described in the parts list may change due to improvement.
- The drawings of the spare parts are only indicative and might not represent the part in question exactly.
- The indications "right" - "left" - "front" - "rear" refer to the position of the operator when using the machine.
- When placing orders of parts for repair and/or replacement, make sure that the illustrated parts list is the one applying to the machine's year of manufacture, as shown on the identification plate attached to the machine.

COPYRIGHT by GLOBAL GARDEN PRODUCTS

All rights reserved. No part of this material may be reproduced or transmitted, in any form or by any means, electronic or mechanical, including photocopying, recording or by any information storage and retrieval system, without permission in writing from GLOBAL GARDEN PRODUCTS.





XSM 52 BS

XSM 52 BS - Model Year 2008

Pos.	Part no.	Q.ty	Description	Remarks
1	322226098/1	1	Mask, Grey	
2	12728450/0	2	Screw	
3	22778421/0	1	Bracket, L	
4	12728530/0	3	Screw	
5	22060220/0	1	Protection	
6	12792611/0	4	Screw	
7	22778419/0	1	Bracket, R	
8	12293201/0	4	Nut	
9	12815200/0	2	Screw	
10	22020400/0	2	Fairlead	
11	12728523/0	2	Screw	
12	12292102/0	2	Nut	
15	12792611/0	3	Screw	
16	12523060/0	6	Washer	
17	322207219/1	1	Flange	
18	12293201/0	3	Nut	
19	112735108/1	3	Screw	
31	81006667/0	1	Handle, Lower Part	
32	18566110/0	2	Cap	
33	12818900/0	4	Screw	
34	12155000/0	4	Nut	
35	18203854/0	4	Protection	
36	12818900/0	4	Screw	
37	12819201/0	2	Screw	
38	22680006/1	4	Washer	
39	322399804/1	4	Knob	
40	12293200/0	4	Nut	
41	81006668/0	1	Handle, Middle Part	
42	81003801/1	1	Spring	
43	12819201/0	1	Screw	
61	81007024/0	1	Handle, Upper Part	
62	81003291/3	1	Lever, Engine Brake	
63	22041966/0	2	Bush	
66	81000642/1	1	Cable, Thread Engine Brake	(B&S 675 Series)
67	22291050/0	1	Handgrip Black	
68	81003288/1	1	Lever, Driving	
69	22041965/1	2	Bush	
70	81000734/1	1	Cable, Rear Drive	
151	12291000/0	1	Nut	
152	12581500/0	1	Grower	
153	22171005/0	1	Spacer	
154	12521360/0	1	Washer	
155	12508100/0	1	Spring Washer	
156	81007279/1	1	Lever, Throttle	(B&S 625/650/675 Series - Honda - Ggp 160/200 Cc)
157	81007080/0	1	Throttle Cable	
158	12815000/0	1	Screw	
159	14356703/0	1	Label	(B&S)
301	81002909/1	1	Deck Grey	
303	81002849/0	1	Axle, Front Wheels	
307	22122200/0	8	Bearing	
308	81007343/0	4	Wheel R 210	
309	12369500/0	2	Elastic Washer	
310	12155000/0	2	Nut	
311	22110382/0	4	Hub Cap	
312	12791011/0	4	Screw	
313	322545169/0	1	Left Plate, INOX	
313	81545105/0	1	Left Plate	
314	12154510/0	4	Nut	
315	322545167/0	1	Right Plate, INOX	
315	81545104/0	1	Right Plate	
316	81002851/0	1	Axle, Rear Wheels	
317	12789000/0	2	Screw	
318	81003323/0	1	Lever, Height Adjustment	



XSM 52 BS

XSM 52 BS - Model Year 2008

Pos.	Part no.	Q.ty	Description	Remarks
319	12154330/0	2	Nut	
320	12293200/0	1	Nut	
321	22399812/0	1	Knob	
322	12735661/0	2	Screw	
323	22551529/0	2	Plate	
324	12521330/0	2	Washer	
325	22033329/0	1	Rod, Height Adjustment Control	
326	12604899/0	2	Crown Fastener	
327	22446184/0	1	Spring	
328	12530150/0	2	Washer	
329	12521350/0	2	Washer	
330	12155000/0	2	Nut	
331	81007382/0	4	Wheel R 210	
332	22110419/0	4	Hub Cap	
401	12608600/0	2	Seeger	
402	22570120/1	1	Pinion L	
403	22120105/1	2	Ring Gear	
404	22600092/0	1	Protection, R Wheel	
405	12608600/0	2	Seeger	
406	19216035/0	2	Bearing	
407	22753000/0	2	Pin	
408	81003095/0	1	Gear Box	
409	22450437/0	1	Spring	
410	35063902/0	1	Belt Z 29.5	
411	22600093/0	1	Protection, L Wheel	
412	22570110/1	1	Pinion R	
501	22465607/2	1	Hub With Pulley, Crankshaft R 22.2	
502	81004146/0	1	Blade Standard	
503	22160400/0	1	Elastic Washer	
504	12523080/0	1	Washer	
505	12735698/0	1	Screw	
506	12139100/0	1	Feather, Crankshaft R 22.2	