



Green Passion

Illustrated Parts List

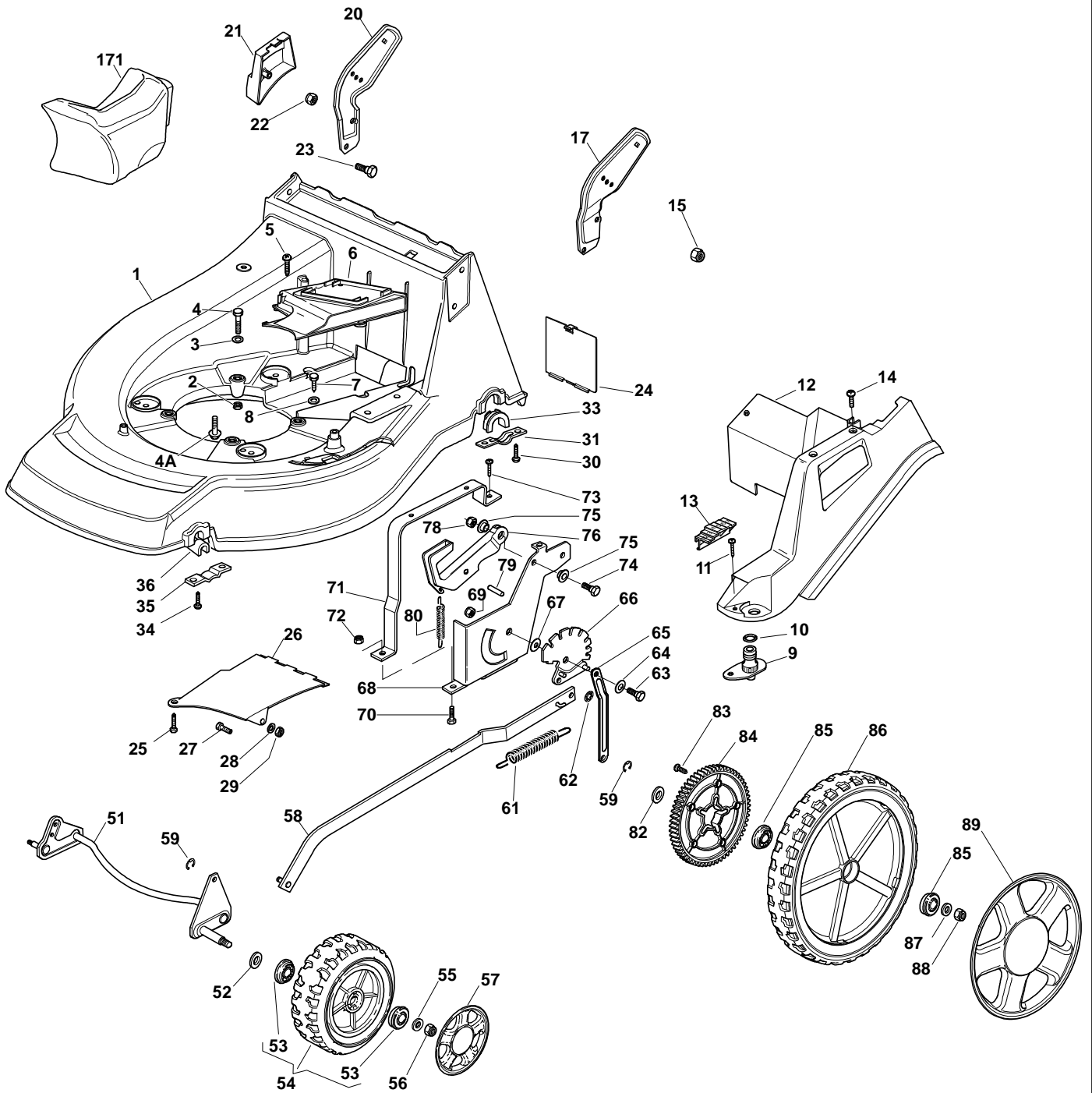
**XAPW 55 MHS 3 - Model Year
2010**

- Use GLOBAL GARDEN PRODUCT Genuine Spare Parts specified in the parts list for repair and/or replacement.
- The contents described in the parts list may change due to improvement.
- The drawings of the spare parts are only indicative and might not represent the part in question exactly.
- The indications "right" - "left" - "front" - "rear" refer to the position of the operator when using the machine.
- When placing orders of parts for repair and/or replacement, make sure that the illustrated parts list is the one applying to the machine's year of manufacture, as shown on the identification plate attached to the machine.

COPYRIGHT by GLOBAL GARDEN PRODUCTS

All rights reserved. No part of this material may be reproduced or transmitted, in any form or by any means, electronic or mechanical, including photocopying, recording or by any information storage and retrieval system, without permission in writing from GLOBAL GARDEN PRODUCTS.

Chassis





XAPW 55 MHS 3 - Model Year 2010

Chassis

Pos.	Part no.	Q.ty	Description	Remarks
1	381003543/1	1	Deck Red	
2	12155000/0	3	Nut	
3	12521350/0	3	Washer	
4A	112735108/1	3	Screw	(Honda)
4	12691800/0	2	Screw	(B&S)
4	12691900/0	3	Screw	(Ggp)
4	12692080/0	1	Screw	(B&S)
5	12728522/0	2	Screw	
6	22060200/1	1	Protection, Belt	
7	12729600/0	1	Screw	
8	12523040/0	2	Washer	
9	22034000/0	1	Washing Connection	
10	19035000/0	1	Or Ring	
11	12728519/0	3	Screw	
12	322060144/3	1	Deck, Adjustment	
13	22570200/0	1	Plate, Cutting Positions	
14	12728520/0	1	Screw	
15	12155000/0	2	Nut	
17	22778397/1	1	Bracket, L	
20	22778396/1	1	Bracket, R	
21	22601001/0	1	Protection	
22	12155000/0	2	Nut	
23	12793301/0	2	Screw	
24	22595352/0	1	Inspection Door	
25	12729600/0	1	Screw	
26	22108205/0	1	Conveyor	
27	12789000/0	1	Screw	
28	12523020/0	1	Washer	
29	12154330/0	1	Nut	
30	12731350/0	4	Screw	
31	322545177/0	2	Plate	
33	22038407/0	2	Brass	
34	12731350/0	4	Screw	
35	22545156/0	2	Plate	
36	22038400/1	2	Brass	
51	381002865/0	1	Axle, Front Wheels	
52	12530150/0	2	Washer	
53	22122200/0	4	Bearing	
54	381007390/1	2	Wheel Ø 210	
55	12521350/0	2	Washer	
56	12155000/0	2	Nut	
57	22110382/0	2	Hub Cap	
58	381002023/0	1	Rod, Height Adjustment	
59	12000930/0	2	Snap Ring	
61	122446187/0	1	Spring	
62	12604899/0	2	Crown Fastener	
63	22529662/0	1	Fulcrum Pin	
64	22672151/0	1	Washer	
65	322033299/0	1	Rod, Rear Wheels Axle	
66	381000499/0	1	Sector, Height Adjustment	
67	22672152/0	1	Washer	
68	22785109/0	1	Support, Height Adjustment	
69	12293201/0	1	Nut	
70	12793301/0	2	Screw	
71	22785113/0	1	Support, Handle	
72	12293201/0	2	Nut	
73	12729600/0	1	Screw	
74	12793301/0	1	Screw	
75	25038002/1	2	Bush	
76	322393611/2	1	Handle	
78	12293201/0	1	Nut	
79	12622640/0	1	Pin	
80	22446175/0	1	Spring	

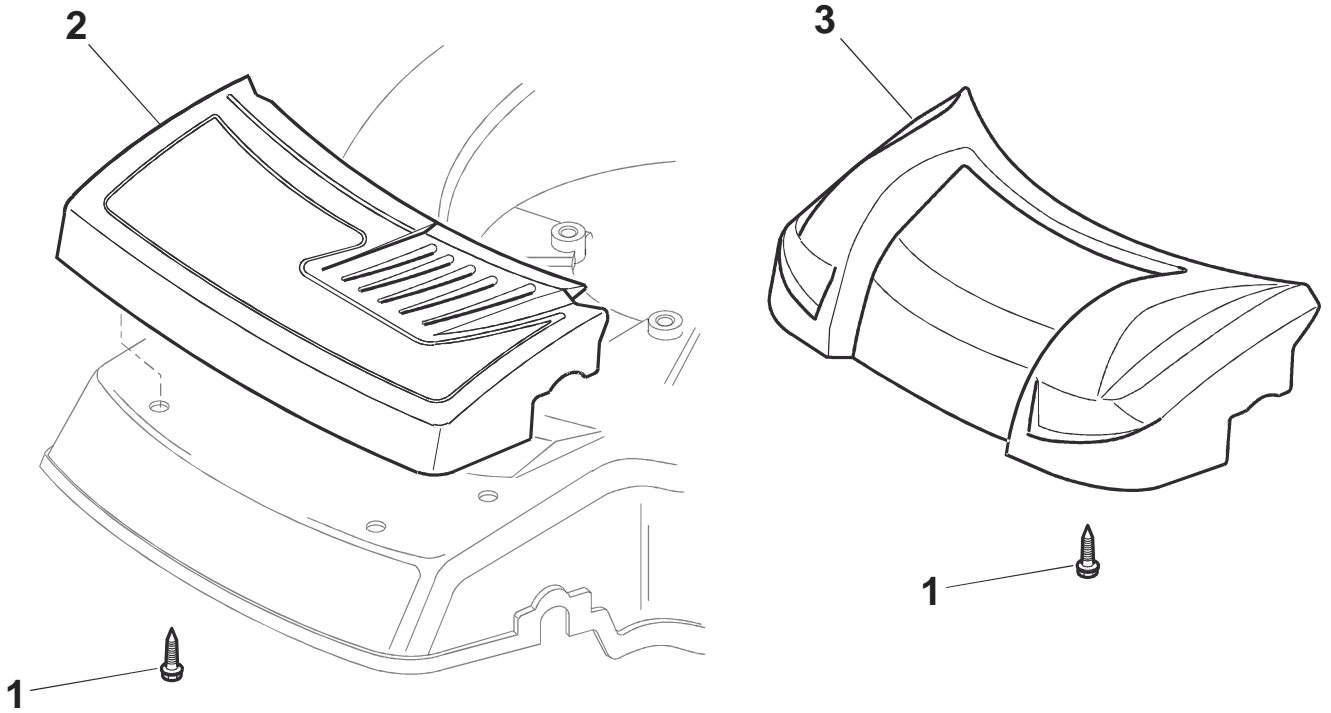


XAPW 55 MHS 3 - Model Year 2010

Chassis

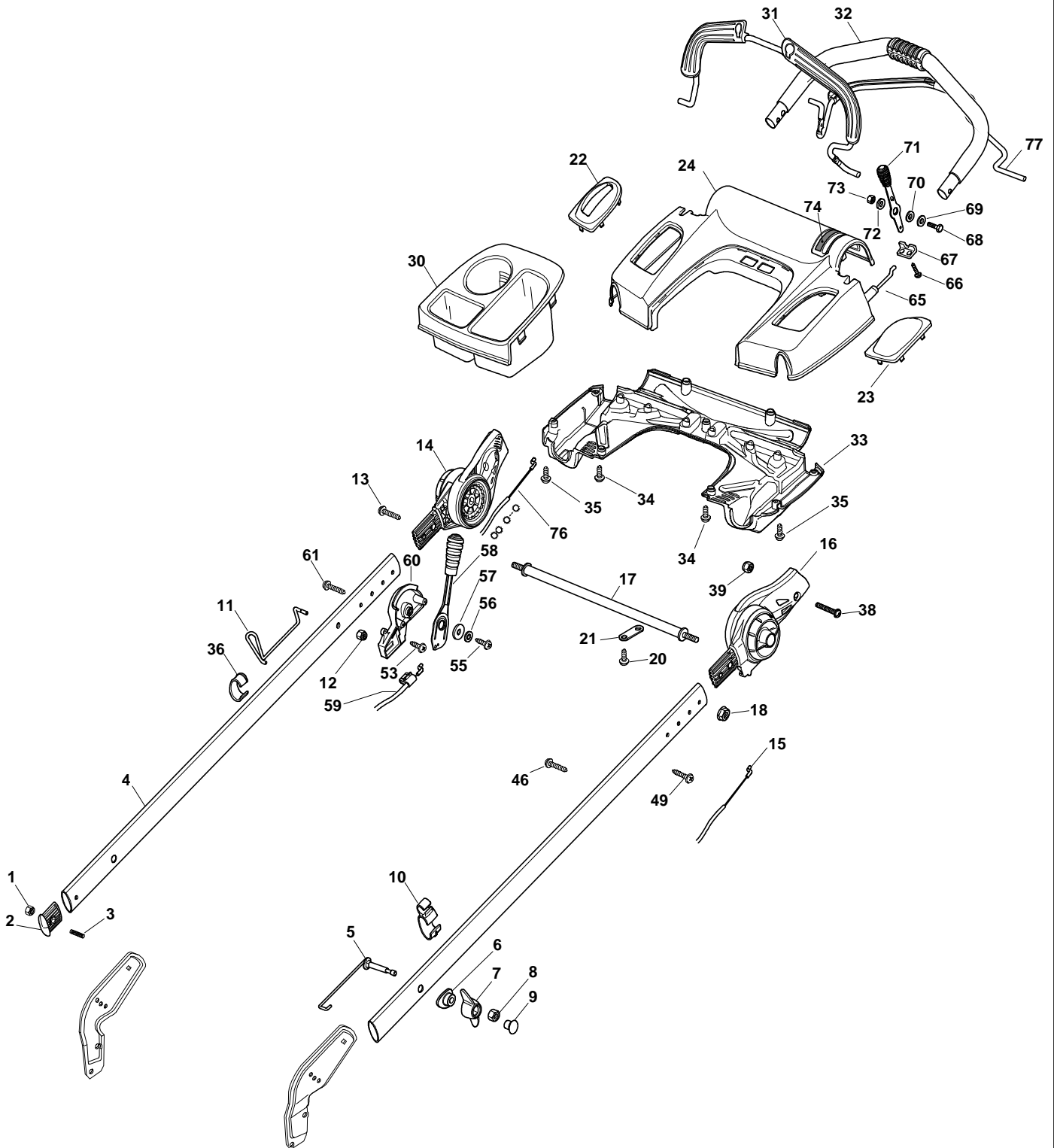
Pos.	Part no.	Q.ty	Description	Remarks
82	22675100/0	2	Washer	
83	12728691/0	6	Screw	
84	22120110/0	2	Sprocket	
85	22122200/0	4	Bearing	
86	381007391/1	2	Wheel Ø 300	
87	12521350/0	4	Washer	
88	12155000/0	2	Nut	
89	22110511/0	2	Hub Cap, Grey D.300	
171	22140224/0	1	Cap	

Cover



Pos.	Part no.	Q.ty	Description	Remarks
1	112735420/0	4	Screw	
2	22226050/0	1	Mask, Black	
3	322226112/1	1	Mask, Grey	

Handle, Upper Part



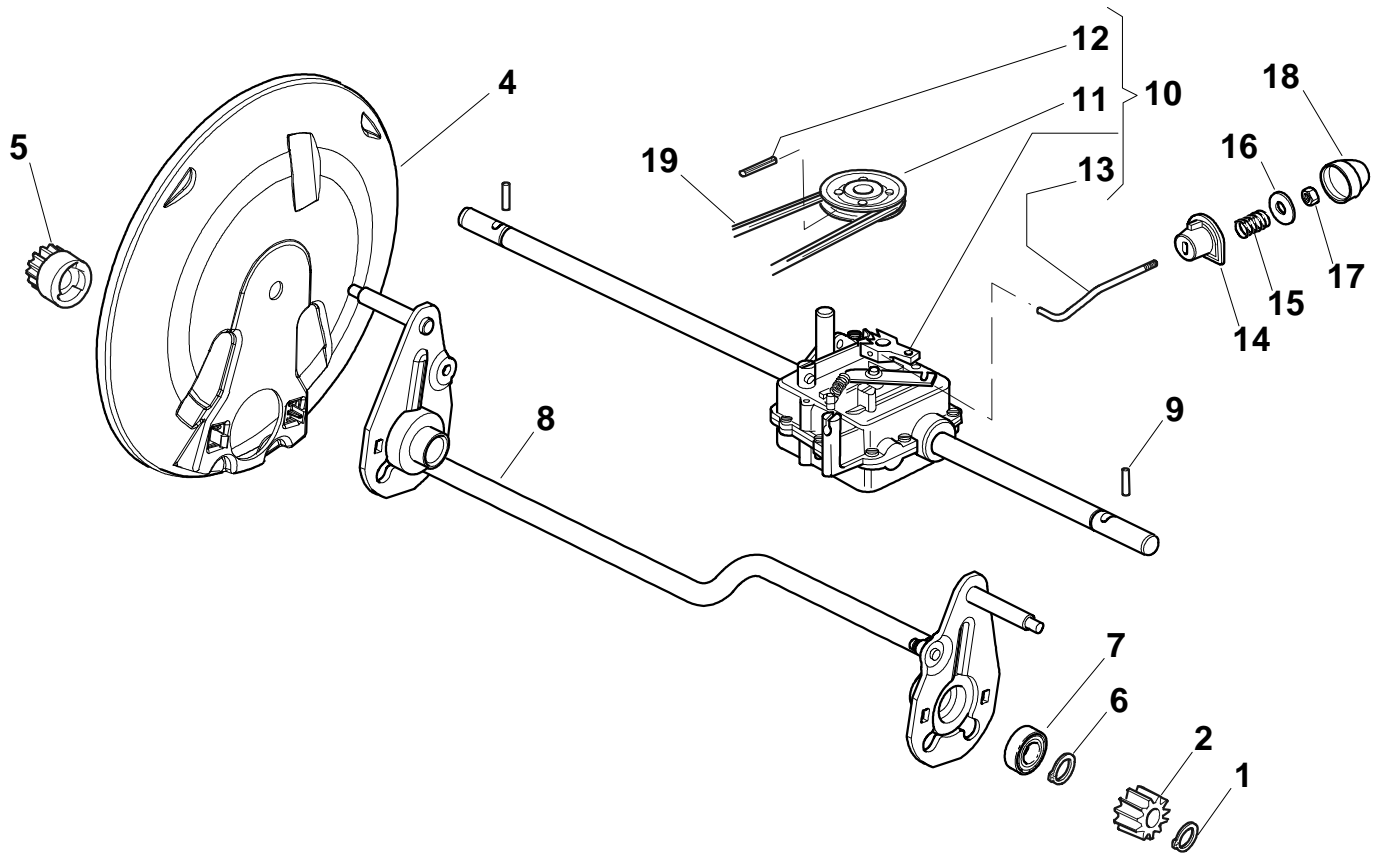


XAPW 55 MHS 3 - Model Year 2010

Handle, Upper Part

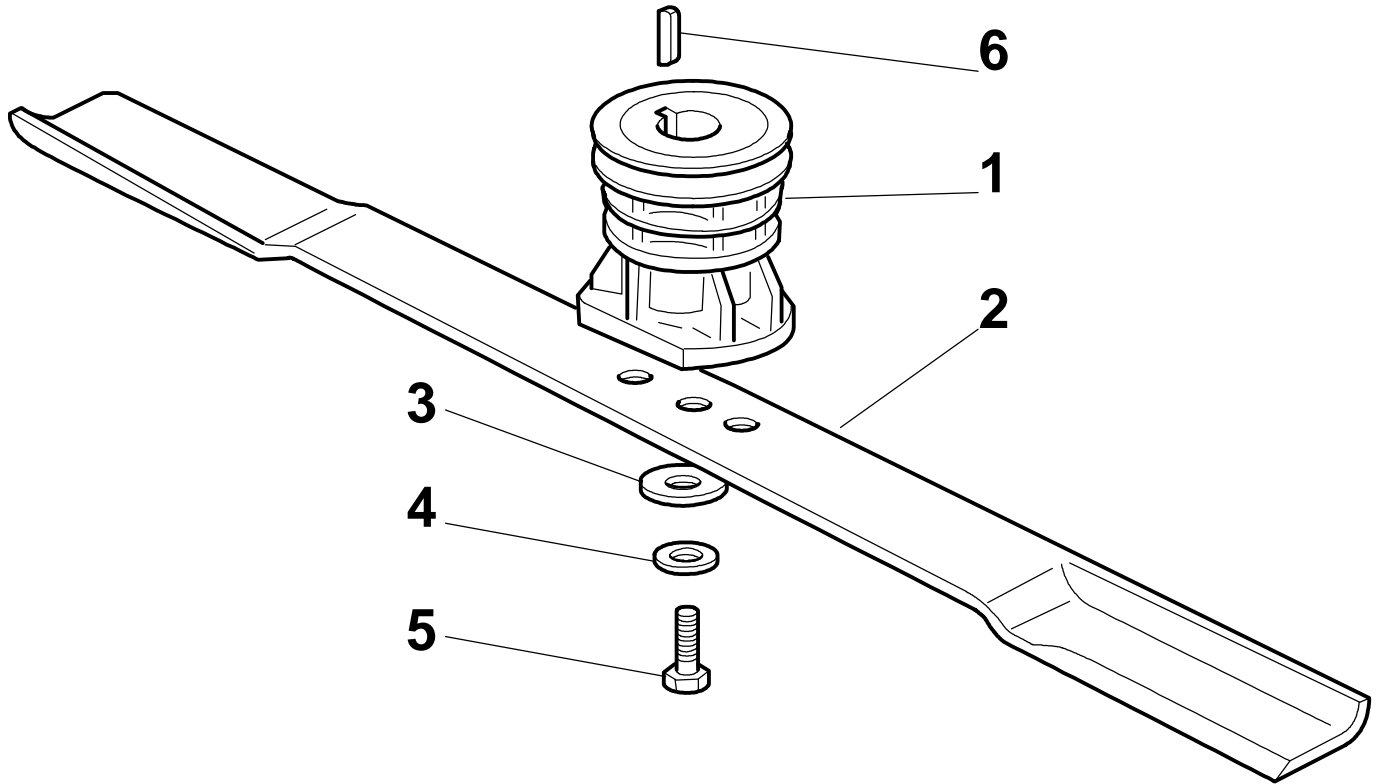
Pos.	Part no.	Q.ty	Description	Remarks
1	12154510/0	2	Nut	
2	22820071/0	2	Cap	
3	12789450/0	2	Screw	
4	322498105/1	2	Handle	
5	381003805/0	2	Spring	
6	22680012/0	2	Washer	
7	22399821/0	2	Knob	
8	12293200/0	2	Nut	
9	322820072/1	2	Cap	
10	22192003/0	1	Fairlead	
11	122430316/1	1	Spring	
12	12154330/0	1	Nut	
13	12728702/0	1	Screw	
14	381745003/0	1	Joint	
15	181030018/0	1	Cable, Thread Engine Brake	(Honda)
15	181030019/1	1	Cable, Thread Engine Brake	(Ggp 196cc)
15	181030019/1	1	Cable, Thread Engine Brake	(B&S 625-675 Series)
15	181030019/1	1	Cable, Thread Engine Brake	(Ggp 140cc - 160cc)
15	181030032/0	1	Cable, Thread Engine Brake	(B&S 700 Series)
16	381745004/0	1	Joint	
17	122608537/1	1	Stiffening	
18	12293201/0	2	Nut	
20	12728691/0	2	Screw	
21	322981471/0	2	Plate	
22	322557159/1	1	Cover	
23	322557156/1	1	Cover	
24	322120184/2	1	Dash Board	
30	322109540/1	1	Tray	
31	81003325/0	1	Lever, Engine Brake	
32	381006670/2	1	Handgrip	
33	322109547/0	1	Cover	
34	112728706/0	2	Screw	
35	112728695/0	7	Screw	
36	322192004/0	1	Anchor Clamp	
38	112727799/0	2	Screw	
39	12154510/0	2	Nut	
46	12728526/0	1	Screw	
49	112728698/0	1	Screw	
53	12728527/0	1	Screw	
55	12728686/0	1	Screw	
56	12523020/0	1	Washer	
57	22680013/0	1	Washer	
58	381007226/1	1	Lever, Driving	
59	81000738/0	1	Cable, Speed Drive Control	
60	22785233/0	1	Support	
65	81007160/0	1	Cable, Trottle	
66	12735105/0	2	Screw	
67	22981467/0	1	Plate	
68	12791500/0	1	Screw	
69	12530060/0	1	Elastic Washer	
70	12523040/0	1	Washer	
72	12523040/0	1	Washer	
72	381007222/1	1	Lever, Throttle	
74	114361912/1	1	Label	(B&S)
74	114361913/1	1	Label	(Honda)
74	114362229/1	1	Label	(Ggp)
74	114362230/1	1	Label	AVS (Ggp 196cc)
74	114362568/0	1	Label	(Honda GCV 160-190 Autochoke)
74	114362568/0	1	Label	(B&S 700 series DOV)
74	12154510/0	1	Nut	
76	381030015/0	1	Cable, Rear Drive	(Bi Ci Di)
76	381030023/0	1	Cable, Rear Drive	(General Transmission)
77	381003328/0	1	Lever, Driving	

Rear Drive



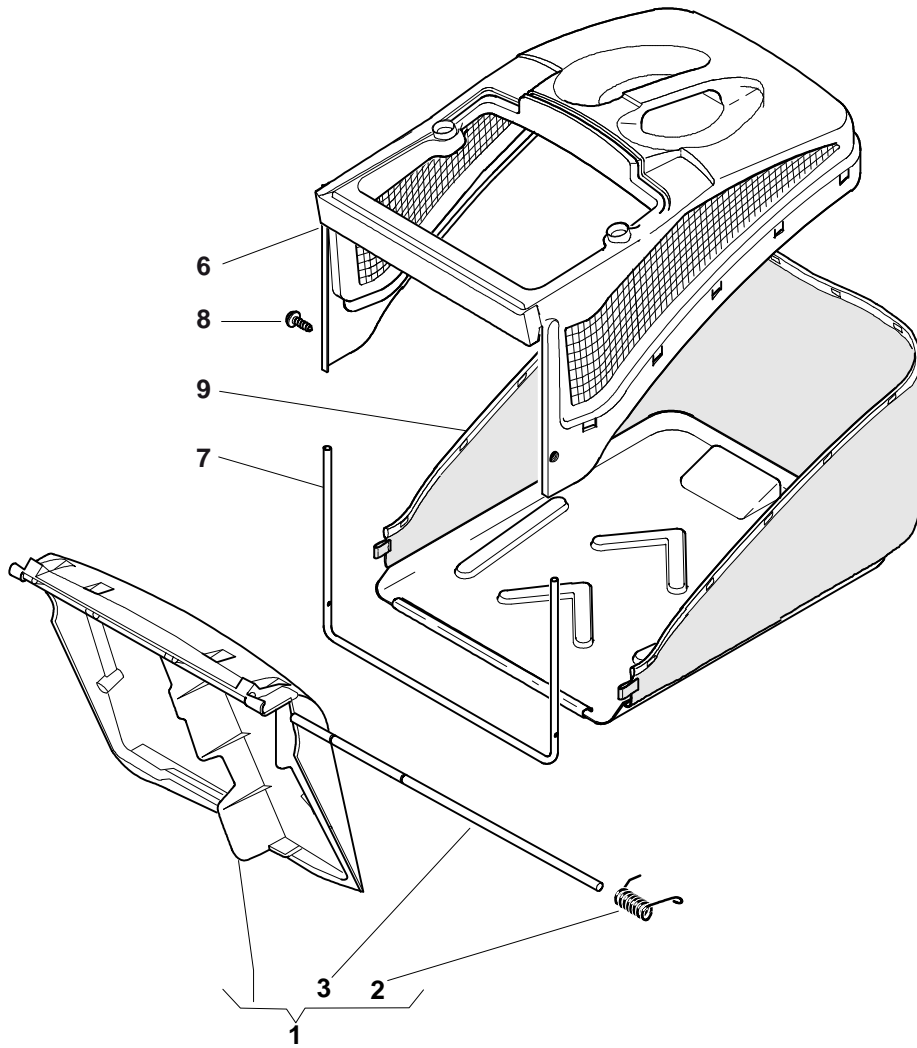
Pos.	Part no.	Q.ty	Description	Remarks
1	12608600/0	2	Snap Ring	
2	22570120/1	1	Pinion L	
4	22600091/1	2	Protection, Wheel	
5	22570110/1	1	Pinion R	
6	12608600/0	2	Snap Ring	
7	19216035/0	2	Bearing	
8	381002863/0	1	Axle, Rear Wheels	
9	22753000/0	2	Pin	
10	81003080/0	1	Gear Box	(General Transmission)
11	22601908/0	1	Pulley	
12	12645705/0	1	Pin	
13	22033282/1	1	Adjustment Rod	
14	22041957/1	1	Bush	
15	22450063/0	1	Spring	
16	22680009/0	1	Washer	
17	12154510/0	1	Nut	
18	22110230/0	1	Cap	
19	35064197/0	1	Belt	(Z Lp 885)

Blade



Pos.	Part no.	Q.ty	Description	Remarks
1	122465608/2	1	Hub With Pulley, Crankshaft Ø 25	
2	81004381/1	1	Blade Standard	
2	81004383/0	1	Blade, Avs	
3	22160400/0	1	Elastic Washer	
4	12523080/0	1	Washer	
5	12735698/0	1	Screw	
6	12139150/0	1	Feather	

Grass-Catcher



Pos.	Part no.	Q.ty	Description	Remarks
1	381008050/0	1	Stone-Guard	
2	22451000/0	1	Spring	
3	22517857/0	1	Pin	
6	22486094/0	1	Grass-Box, Upper	
7	22608524/0	1	Stiffening Lower	
8	12728445/0	2	Screw	
9	81002196/0	1	Box, Fabric	