



*Green Passion*

# Illustrated Parts List

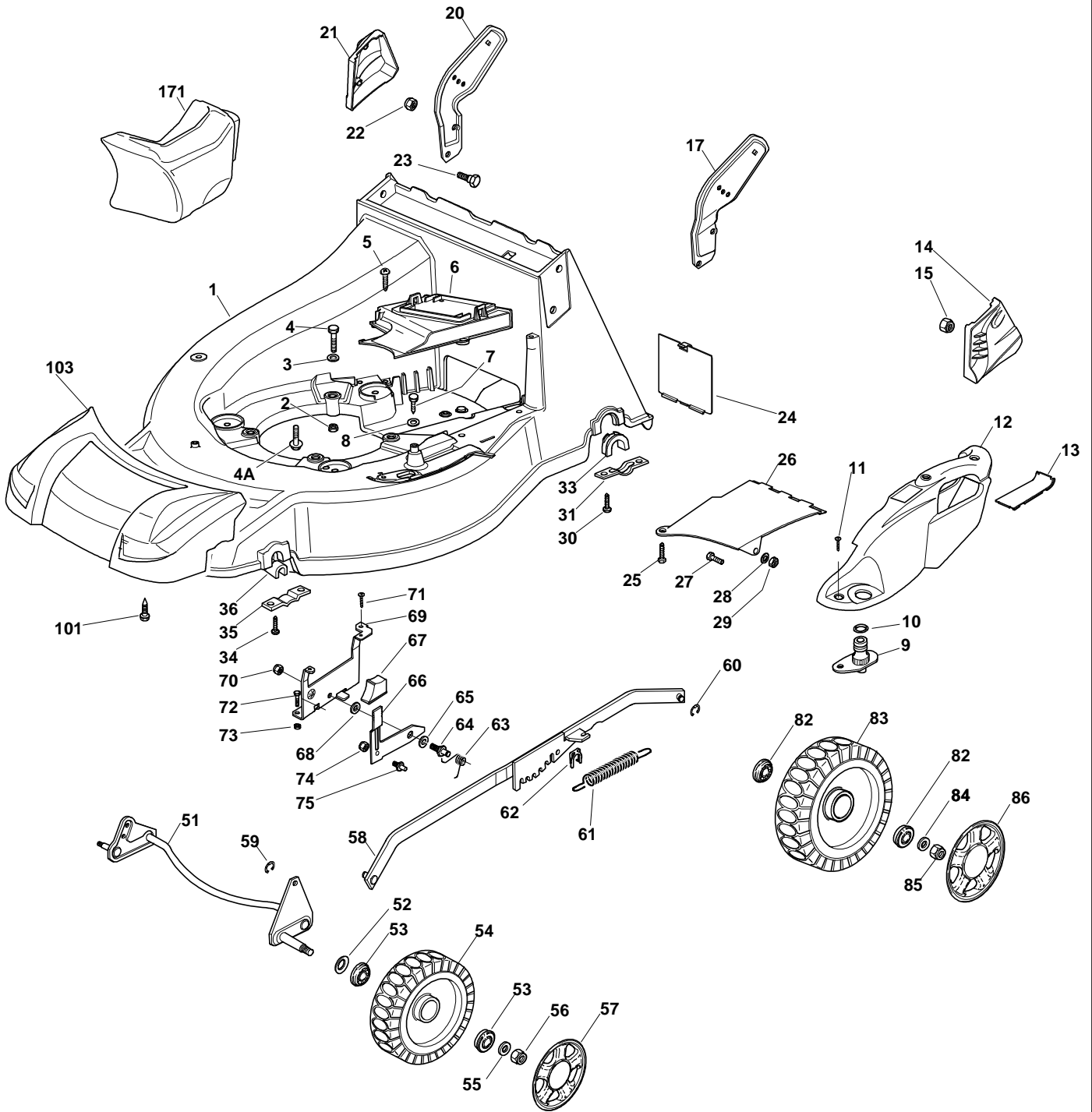
## XA 52 MBS - Model Year 2010

- Use GLOBAL GARDEN PRODUCT Genuine Spare Parts specified in the parts list for repair and/or replacement.
- The contents described in the parts list may change due to improvement.
- The drawings of the spare parts are only indicative and might not represent the part in question exactly.
- The indications "right" - "left" - "front" - "rear" refer to the position of the operator when using the machine.
- When placing orders of parts for repair and/or replacement, make sure that the illustrated parts list is the one applying to the machine's year of manufacture, as shown on the identification plate attached to the machine.

COPYRIGHT by GLOBAL GARDEN PRODUCTS

All rights reserved. No part of this material may be reproduced or transmitted, in any form or by any means, electronic or mechanical, including photocopying, recording or by any information storage and retrieval system, without permission in writing from GLOBAL GARDEN PRODUCTS.

**Chassis**





XA 52 MBS - Model Year 2010

**Chassis**

Pos.	Part no.	Q.ty	Description	Remarks
1	81003500/0	1	Deck Red	
2	12155000/0	3	Nut	
3	12521350/0	3	Washer	
4A	112735108/1	3	Screw	(Honda)
4	12691800/0	2	Screw	(B&S)
4	12691900/0	3	Screw	(Ggp)
4	12692080/0	1	Screw	(B&S)
5	12728522/0	2	Screw	
6	22060221/0	1	Protection, Belt	
7	12729600/0	1	Screw	
8	12523040/0	2	Washer	
9	22034000/0	1	Washing Connection	
10	19035000/0	1	Or Ring	
11	12728520/0	3	Screw	
12	22060146/0	1	Deck, Adjustment	
13	22546070/0	1	Plate	
14	22601003/0	1	Protection	
15	12155000/0	2	Nut	
17	22778397/1	1	Bracket, L	
20	22778396/1	1	Bracket, R	
21	322601002/1	1	Protection	
22	12155000/0	2	Nut	
23	12793301/0	2	Screw	
24	22595352/0	1	Inspection Door	
25	12729600/0	1	Screw	
26	22108205/0	1	Conveyor	
27	12789000/0	1	Screw	
28	12523020/0	1	Washer	
29	12154330/0	1	Nut	
30	12731350/0	4	Screw	
31	22545147/0	2	Plate	
33	22038407/0	2	Brass	
34	12731350/0	4	Screw	
35	22545156/0	2	Plate	
36	22038400/1	2	Brass	
51	81002801/1	1	Axle, Front Wheels	
52	12530150/0	2	Washer	
53	22122200/0	4	Bearing	
54	81007317/0	2	Wheel D.170	
55	12369500/0	2	Washer	
56	12155000/0	2	Nut	
57	22110381/0	2	Hub Cap	
58	81001137/0	1	Rod, Height Adjustment	
59	12000930/0	1	Snap Ring	
60	12000930/0	1	Snap Ring	
61	122446187/0	1	Spring	
62	112436051/0	1	Plate	
63	22446176/0	1	Spring	
64	22517880/1	1	Pin	
65	22672152/0	1	Washer	
66	22322829/1	1	Lever, Height Adjustment	
67	22602000/0	1	Pushbutton, Lever	
68	22672151/0	1	Washer	
69	22785115/0	1	Support, Height	
70	12155000/0	1	Nut	
71	12729600/0	1	Screw	
72	12793101/0	2	Screw	
73	12293201/0	2	Nut	
74	12154510/0	1	Nut	
75	22519746/0	1	Pin	
82	22122200/0	4	Bearing	
83	81007318/1	2	Wheel D.210	
84	12369500/0	2	Washer	

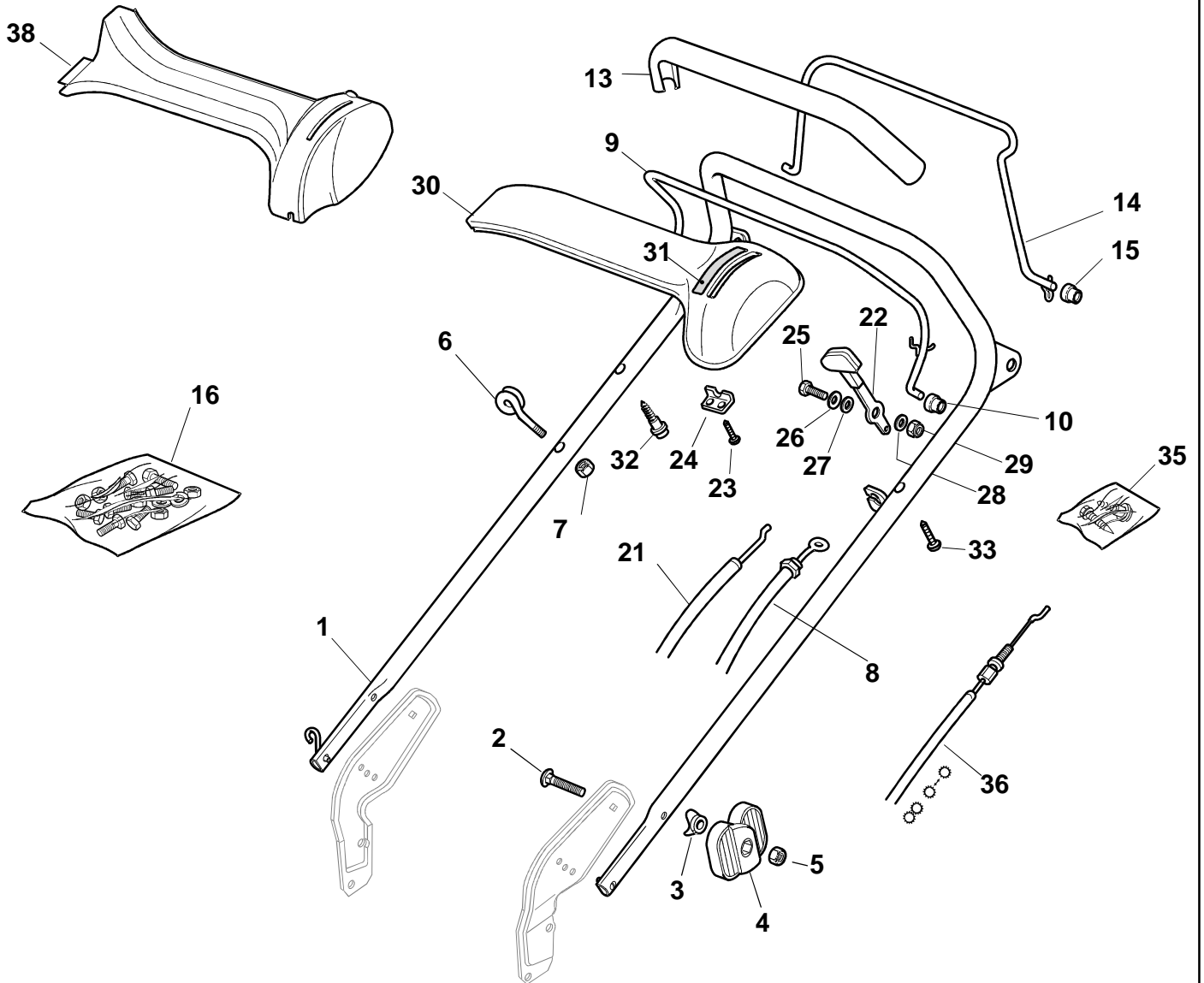


XA 52 MBS - Model Year 2010

### Chassis

Pos.	Part no.	Q.ty	Description	Remarks
85	12155000/0	2	Nut	
86	22110382/0	2	Hub Cap	
101	112735420/0	4	Screw	
103	322226112/1	1	Mask, Grey	
171	22140224/0	1	Cap	

**Handle, Upper Part**



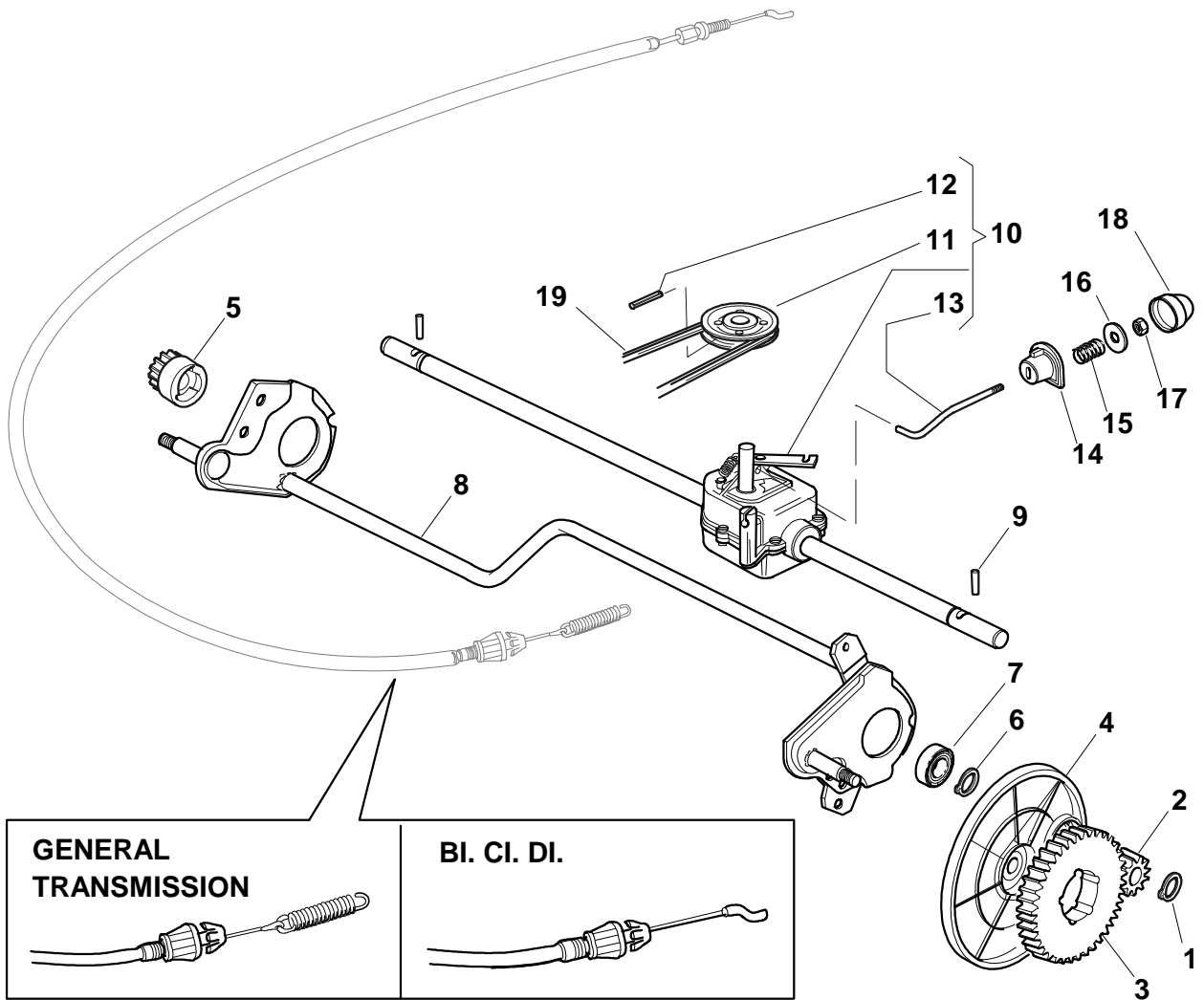


XA 52 MBS - Model Year 2010

**Handle, Upper Part**

Pos.	Part no.	Q.ty	Description	Remarks
1	81006861/0	1	Handle, Upper Part	
2	12819120/0	2	Screw	
3	22680006/1	2	Washer	
4	22399803/0	2	Knob	
5	12293200/0	2	Nut	
6	22430309/0	1	Guide Spring	
7	12154330/0	1	Nut	
8	81000616/1	1	Cable, Thread Engine Brake	(Honda)
8	81000642/1	1	Cable, Thread Engine Brake	(B&S 625-675 Series)
8	81000757/0	1	Cable, Thread Engine Brake	(Ggp 140cc)
8	81000757/0	1	Cable, Thread Engine Brake	(Ggp 196cc)
8	81000757/0	1	Cable, Thread Engine Brake	(Ggp 160cc)
9	81003291/3	1	Lever, Engine Brake	
10	22041966/0	2	Bush	
11	12728518/0	1	Screw	
12	22806612/0	1	Support	
13	22291050/0	1	Handgrip Black	
14	81003288/1	1	Lever, Driving	
15	22041965/1	2	Bush	
16	81008610/0	1	Outfit, Screws	
21	81007160/0	1	Cable, Throttle	
22	81007221/0	1	Lever, Throttle	(B&S 450-500 Series - Ggp 150 cc)
22	81007280/2	1	Lever, Throttle	(B&S 625-675-700 Series - Honda - Ggp 140-160-196 cc)
23	12735105/0	2	Screw	
24	22981467/0	1	Plate	
25	12791500/0	1	Screw	
26	12530060/0	1	Elastic Washer	
27	12523040/0	1	Washer	
28	12523040/0	1	Washer	
29	12154510/0	1	Nut	
30	22120152/0	1	Dash Board Yellow	
30	22120154/0	1	Dash Board Red	
30	22120158/0	1	Dash Board Black	
31	114356743/1	1	Label	(GGP)
31	114356743/1	1	Label	(Honda)
31	114356744/1	1	Label	(B&S)
31	114356906/1	1	Label	(B&S 700 series DOV)
31	114357646/1	1	Label	(Honda GCV 160-190 Autochoke)
32	22943006/0	1	Screw	
33	12728460/0	1	Screw	
35	81008609/0	1	Outfit, Dash-Board Screws	
36	81000669/0	1	Cable, Rear Drive	(General Transmission)
36	81000673/0	1	Cable, Rear Drive	(Bi Ci Di)
38	22120172/0	1	Dash Board Black	
38	22120173/0	1	Dash Board Red	
38	22120174/0	1	Dash Board Yellow	

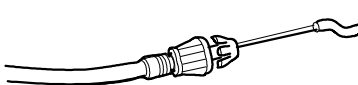
**Rear Drive**



**GENERAL  
TRANSMISSION**

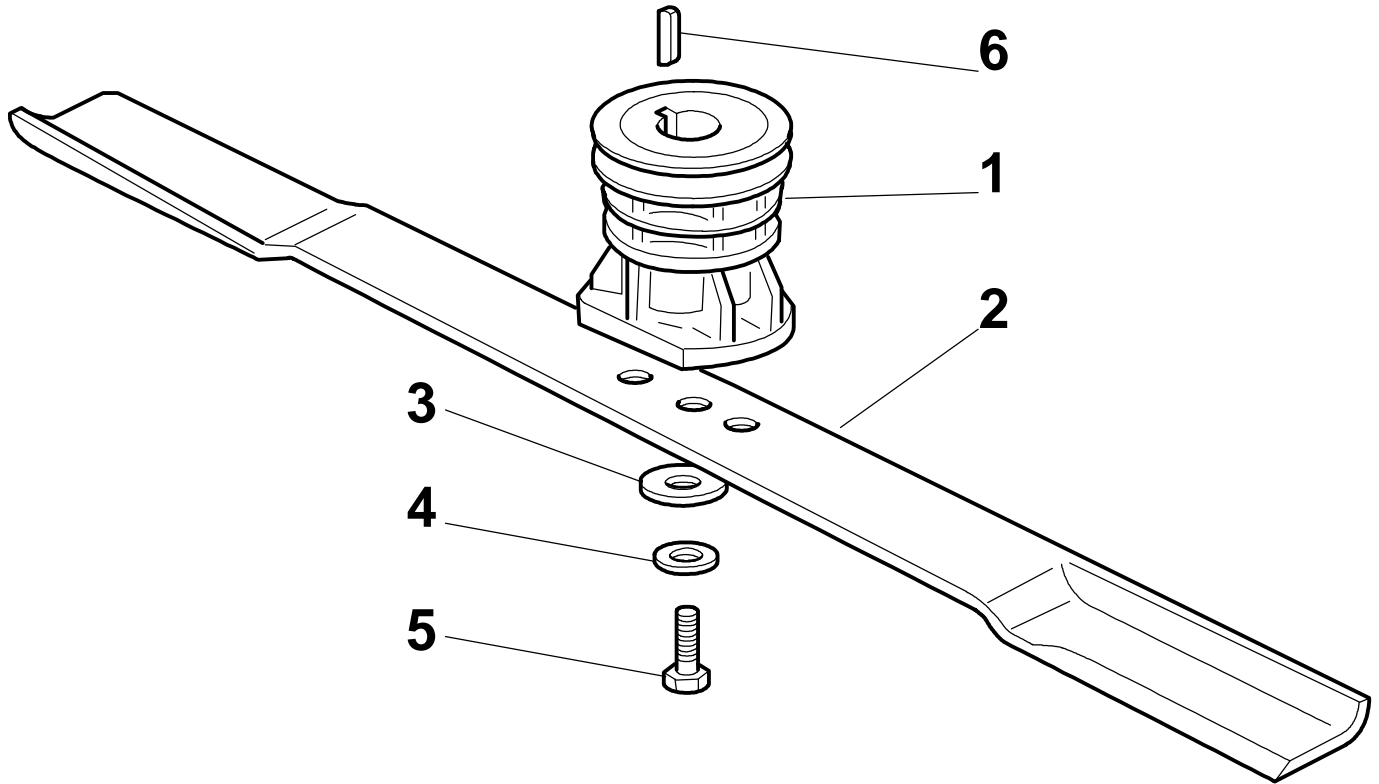


**BI. CI. DI.**



Pos.	Part no.	Q.ty	Description	Remarks
1	12608600/0	2	Snap Ring	
2	22570120/1	1	Pinion L	
3	22120105/1	2	Ring Gear	
4	22600091/1	2	Protection, Wheel	
5	22570110/1	1	Pinion R	
6	12608600/0	2	Snap Ring	
7	19216035/0	2	Bearing	
8	81002811/0	1	Axle, Rear Wheels	
9	22753000/0	2	Pin	
10	81003079/0	1	Gear Box	(General Transmission)
10	81003082/1	1	Gear Box (Grey)	(Bi Ci Di)
11	22601909/0	1	Pulley	
12	12645705/0	1	Pin	
13	22033281/0	1	Adjustment Rod	
14	22041957/1	1	Bush	
15	22450063/0	1	Spring	
16	22680009/0	1	Washer	
17	12154510/0	1	Nut	
18	22110230/0	1	Cap	
19	35064150/0	1	Belt Z 32	
19	35064195/0	1	Belt Z 33	

**Blade**

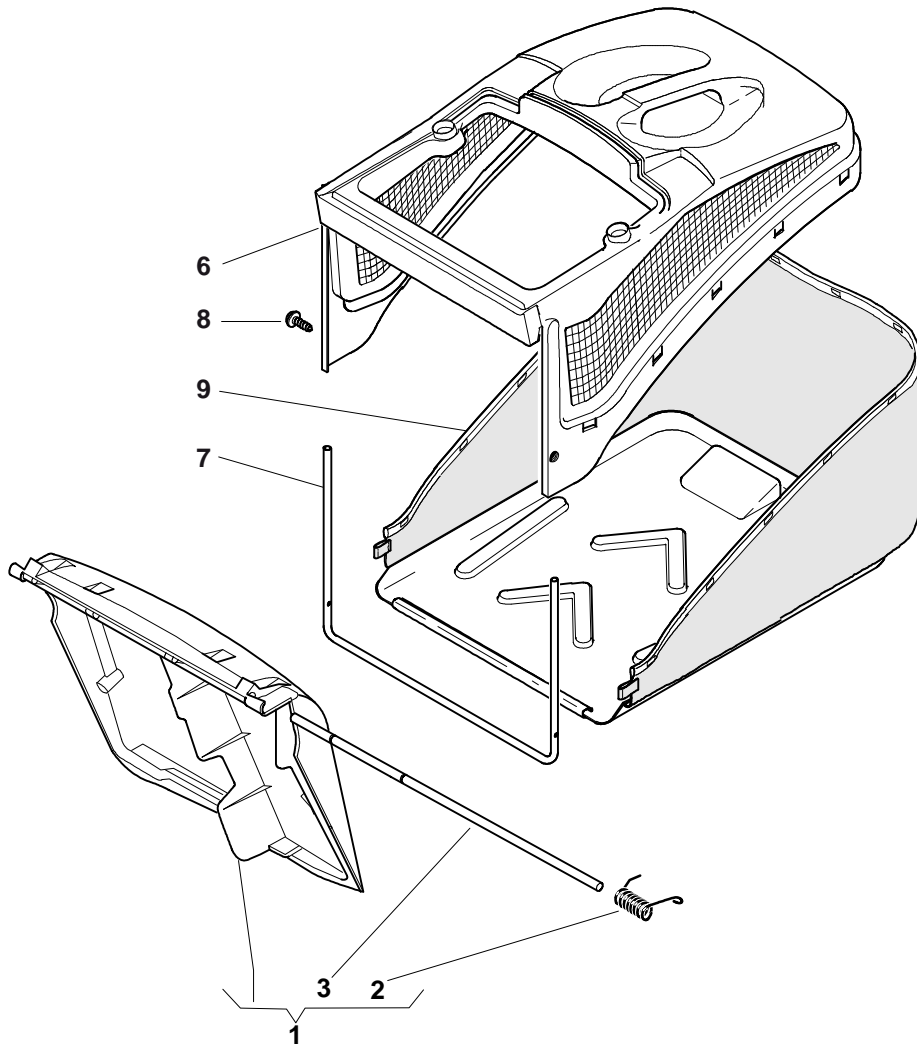


Pos.	Part no.	Q.ty	Description	Remarks
------	----------	------	-------------	---------

1	122465607/3	1	Hub With Pulley, Crankshaft Ø 22.2	
2	81004146/0	1	Blade Winged	
3	22160400/0	1	Elastic Washer	
4	12523080/0	1	Washer	
5	12735698/0	1	Screw	
6	12139100/0	1	Key	



### Grass-Catcher



Pos.	Part no.	Q.ty	Description	Remarks
1	381008050/0	1	Stone-Guard	
2	22451000/0	1	Spring	
3	22517857/0	1	Pin	
6	22486094/0	1	Grass-Box, Upper	
7	22608524/0	1	Stiffening Lower	
8	12728445/0	2	Screw	
9	81002196/0	1	Box, Fabric	