



Green Passion

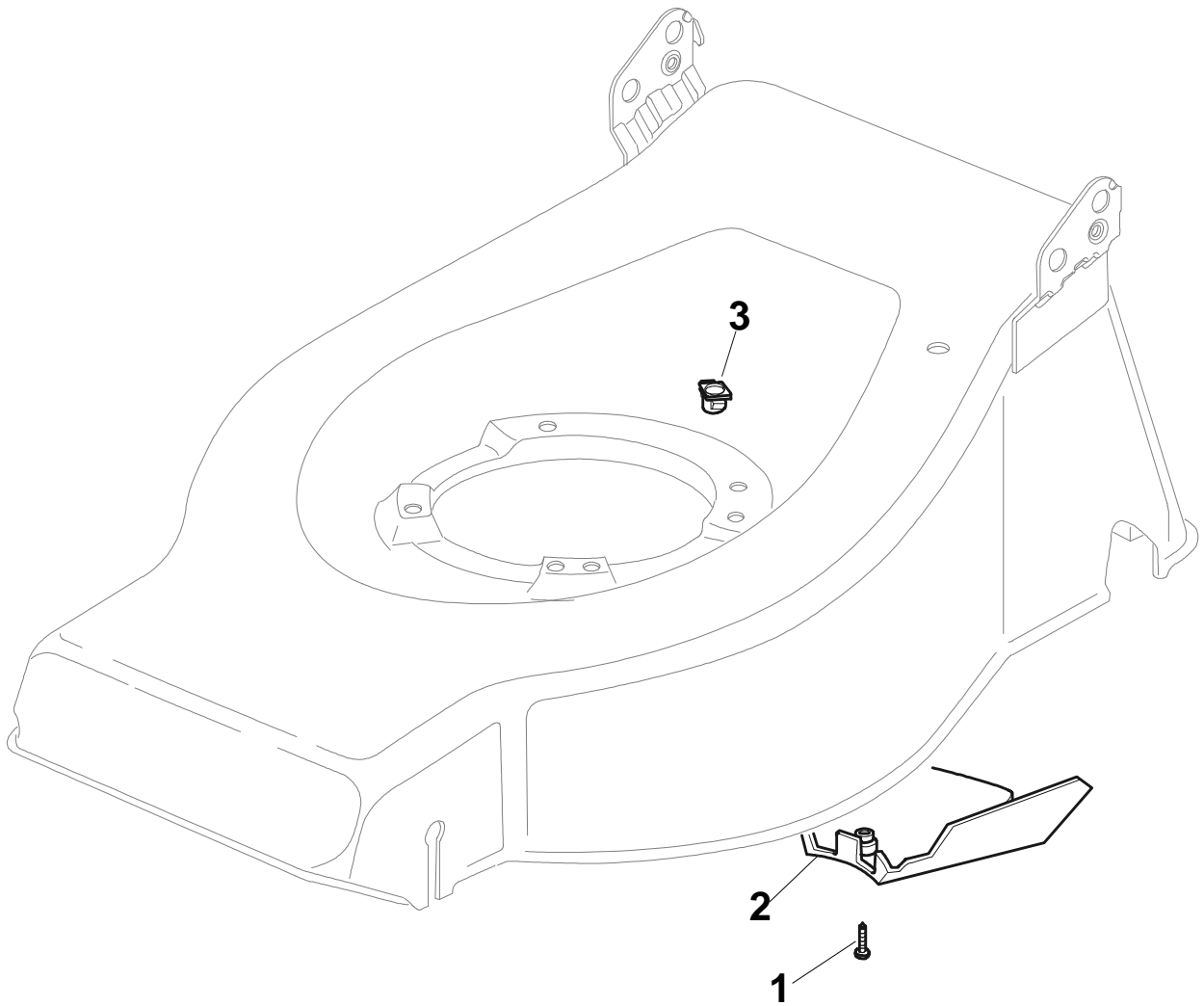
Illustrated Parts List

XSE 50 BS - Model Year 2010

- Use GLOBAL GARDEN PRODUCT Genuine Spare Parts specified in the parts list for repair and/or replacement.
- The contents described in the parts list may change due to improvement.
- The drawings of the spare parts are only indicative and might not represent the part in question exactly.
- The indications "right" - "left" - "front" - "rear" refer to the position of the operator when using the machine.
- When placing orders of parts for repair and/or replacement, make sure that the illustrated parts list is the one applying to the machine's year of manufacture, as shown on the identification plate attached to the machine.

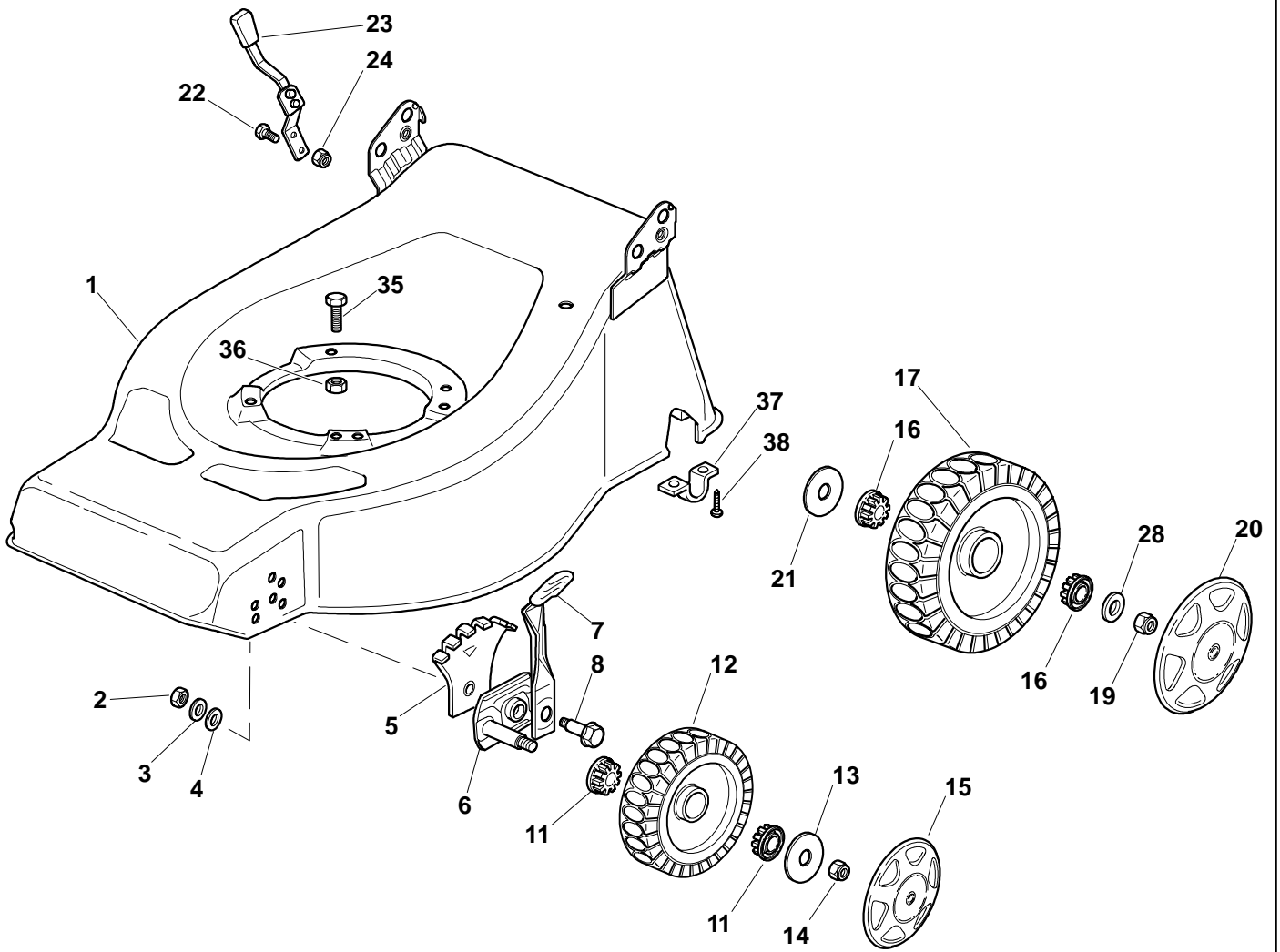
COPYRIGHT by GLOBAL GARDEN PRODUCTS

All rights reserved. No part of this material may be reproduced or transmitted, in any form or by any means, electronic or mechanical, including photocopying, recording or by any information storage and retrieval system, without permission in writing from GLOBAL GARDEN PRODUCTS.

Protection, Belt

| Pos. | Part no. | Q.ty | Description | Remarks |
|------|------------|------|------------------|---------|
| 1 | 12727791/0 | 1 | Screw | |
| 2 | 22060180/0 | 1 | Protection, Belt | |
| 3 | 22291150/0 | 1 | Rubber Insert | |

Chassis/Wheels And Height Adjusting



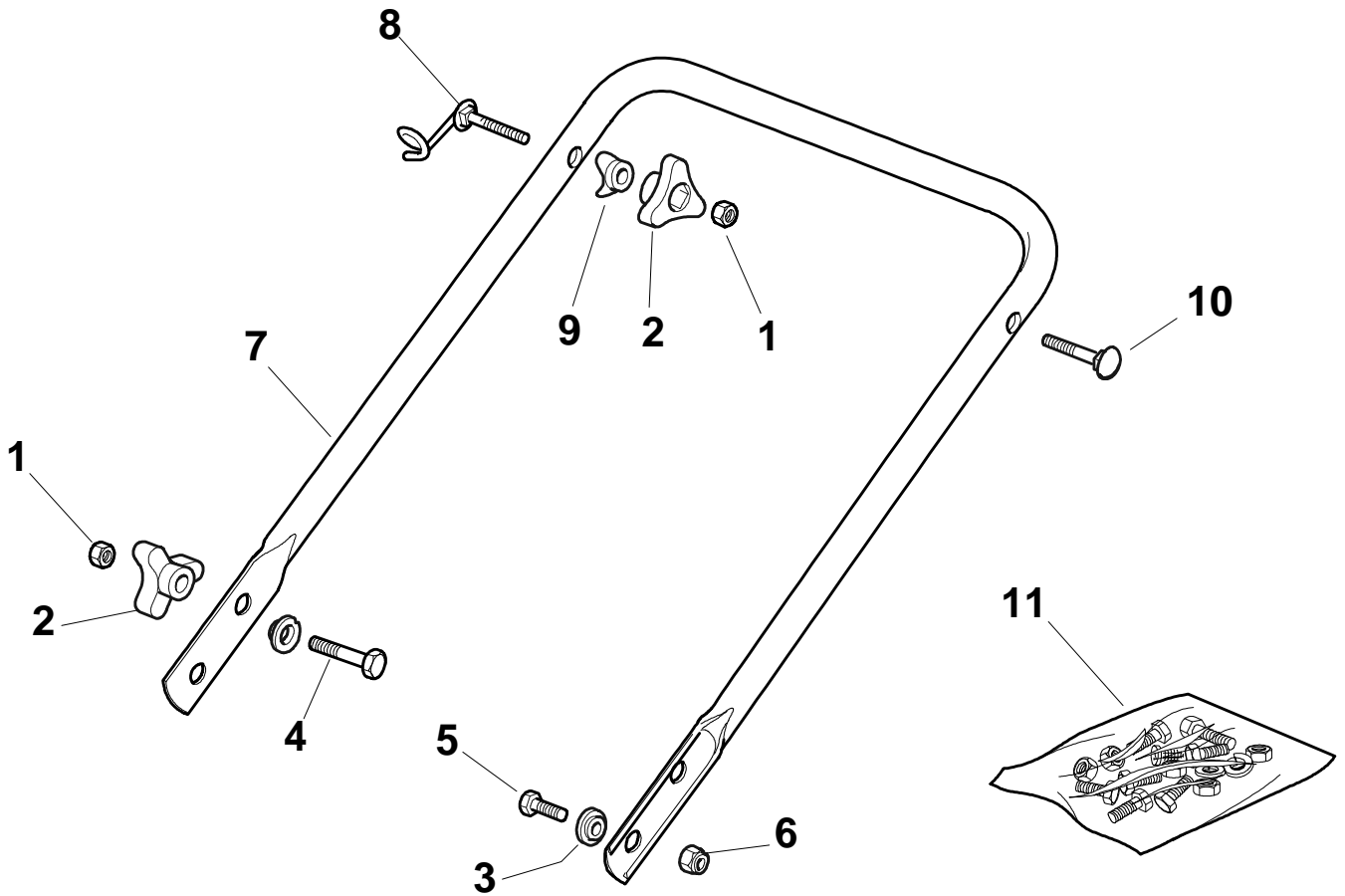


XSE 50 BS - Model Year 2010

Chassis/Wheels And Height Adjusting

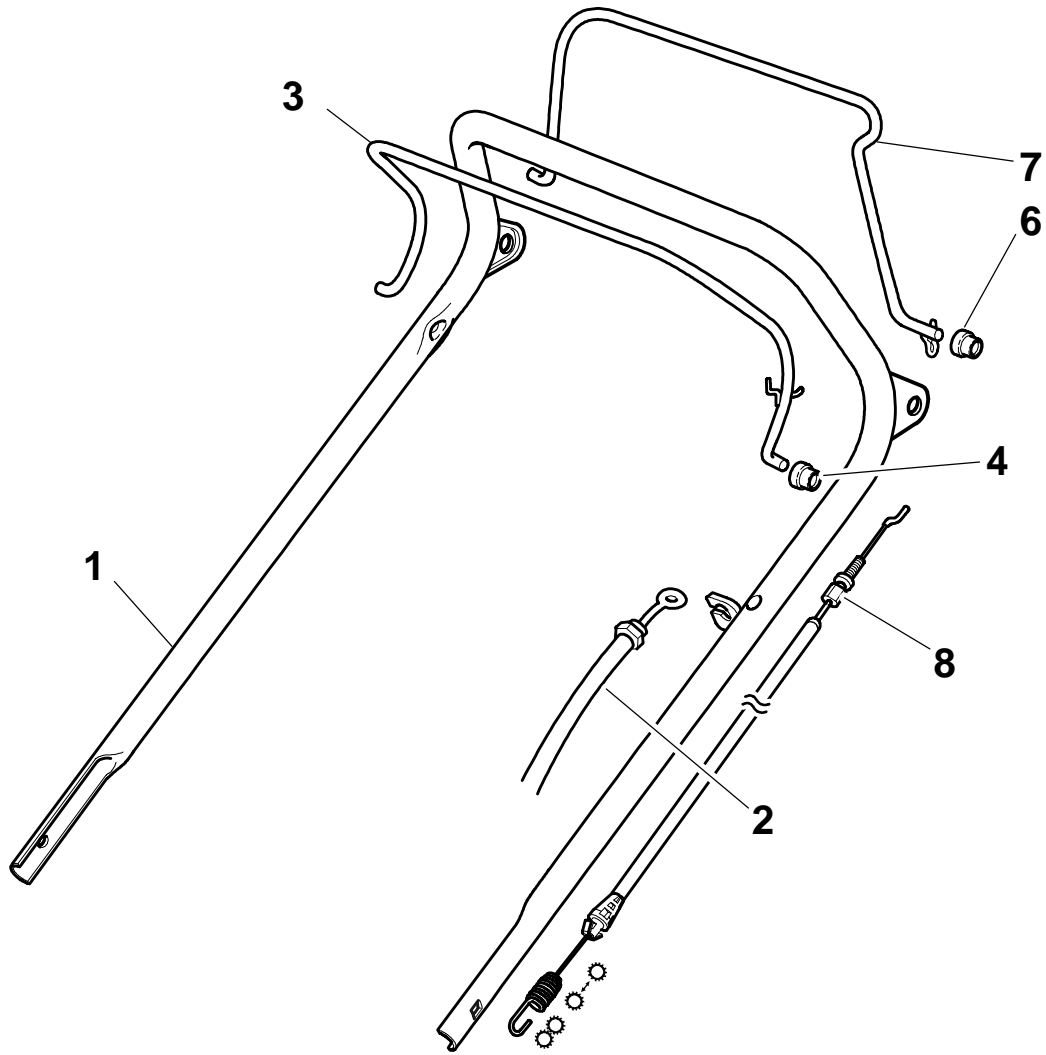
| Pos. | Part no. | Q.ty | Description | Remarks |
|------|------------|------|---------------------------|--------------|
| 1 | 81002405/0 | 1 | Deck Red | 484 Mulching |
| 1 | 81002456/1 | 1 | Deck Red | 484 |
| 2 | 12293200/0 | 2 | Nut | |
| 3 | 12583500/0 | 2 | Grower | |
| 4 | 12523070/0 | 2 | Washer | |
| 5 | 22735547/0 | 2 | Sector, Height Adjustment | |
| 6 | 81005082/0 | 2 | Support, Wheel | |
| 7 | 81003285/1 | 2 | Lever, Height Adjustment | |
| 8 | 22519811/0 | 2 | Pin | |
| 11 | 22034508/0 | 4 | Bush | |
| 12 | 81007336/0 | 2 | Wheel | |
| 13 | 12523060/0 | 2 | Washer | |
| 14 | 12155000/0 | 2 | Nut | |
| 15 | 22110381/0 | 2 | Hub Cap | |
| 16 | 22034508/0 | 4 | Bush | |
| 17 | 81007337/0 | 2 | Wheel | |
| 18 | 25670011/0 | 2 | Washer | |
| 19 | 12155000/0 | 2 | Nut | |
| 20 | 22110382/0 | 2 | Hub Cap, Grey D.210 | |
| 21 | 21660100/0 | 2 | Washer | |
| 22 | 12789000/0 | 2 | Screw | |
| 23 | 81003279/2 | 1 | Lever, Height Adjustment | |
| 24 | 12154330/0 | 2 | Nut | |
| 28 | 12523060/0 | 1 | Washer | |
| 35 | 12691800/0 | 1 | Screw | |
| 35 | 12793701/0 | 3 | Screw | |
| 36 | 12155000/0 | 1 | Nut | |
| 36 | 12293201/0 | 3 | Nut | |
| 37 | 12731350/0 | 4 | Screw | |
| 38 | 22545152/0 | 2 | Plate | |

Handle, Lower Part



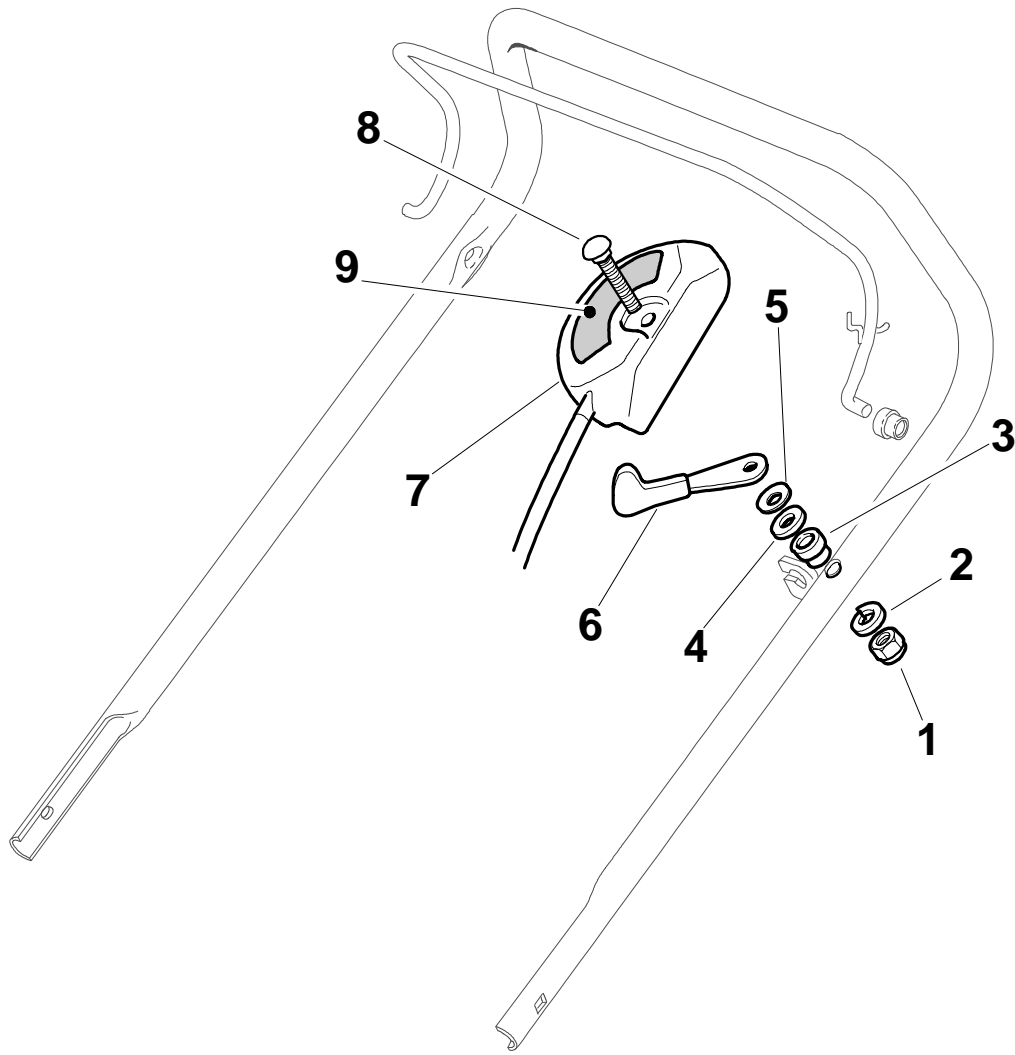
| Pos. | Part no. | Q.ty | Description | Remarks |
|------|------------|------|--------------------|---------|
| 1 | 12293200/0 | 4 | Nut | |
| 2 | 22399900/0 | 4 | Knob | |
| 3 | 22041955/0 | 4 | Bush | |
| 4 | 12793700/0 | 2 | Screw | |
| 5 | 12792610/0 | 2 | Screw | |
| 6 | 12155000/0 | 2 | Nut | |
| 7 | 81006512/0 | 1 | Handle, Lower Part | |
| 8 | 81003801/1 | 1 | Guide Spring | |
| 9 | 22680006/1 | 2 | Washer | |
| 10 | 12819201/0 | 1 | Screw | |
| 11 | 81008614/3 | 1 | Outfit, Screws | |

Handle, Upper Part



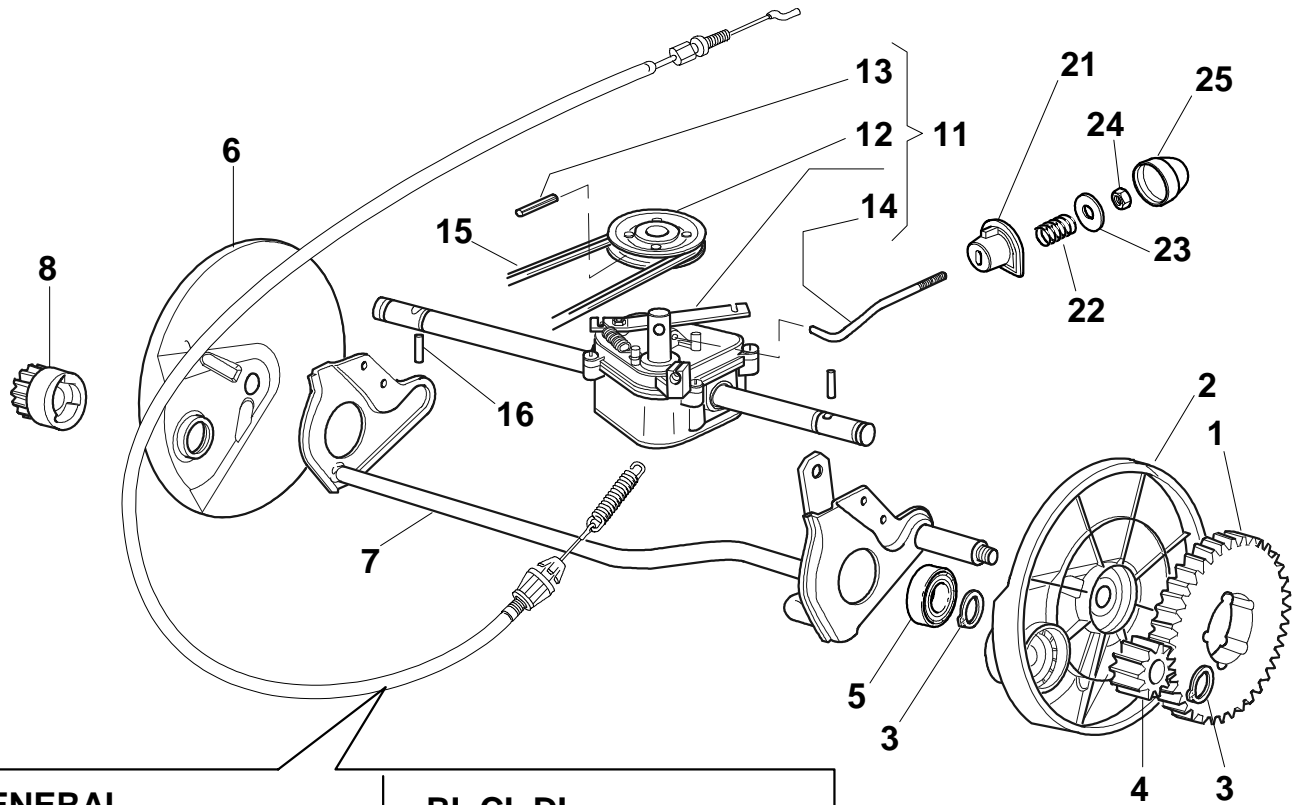
| Pos. | Part no. | Q.ty | Description | Remarks |
|------|------------|------|----------------------------|--------------------------------|
| 1 | 81007024/0 | 1 | Handle, Upper Part | |
| 2 | 81000611/0 | 1 | Cable, Thread Engine Brake | (Ggp 150cc) |
| 2 | 81000625/0 | 1 | Cable, Thread Engine Brake | 434 - 484 (B&S 450-500 Series) |
| 2 | 81000641/0 | 1 | Cable, Thread Engine Brake | 484 (Honda Gcv 135-160-190) |
| 2 | 81000757/0 | 1 | Cable, Thread Engine Brake | 484 (Ggp 140cc) |
| 2 | 81000757/0 | 1 | Cable, Thread Engine Brake | 484 (B&S 675 Series Es) |
| 2 | 81000757/0 | 1 | Cable, Thread Engine Brake | 484 (B&S 675 Series) |
| 2 | 81000757/0 | 1 | Cable, Thread Engine Brake | 484 (Ggp 160cc) |
| 3 | 81003291/3 | 1 | Lever, Engine Brake | |
| 4 | 22041966/0 | 2 | Bush | |
| 5 | 22291050/0 | 1 | Handgrip Black | |
| 6 | 22041965/1 | 2 | Bush | |
| 7 | 81003288/1 | 1 | Lever, Driving | |
| 8 | 81000668/1 | 1 | Cable, Rear Drive | (General Transmission) |
| 8 | 81000672/0 | 1 | Cable, Rear Drive | (Bi Ci Di) |

Controls



| Pos. | Part no. | Q.ty | Description | Remarks |
|------|-------------|------|-----------------|---|
| 1 | 12291000/0 | 1 | Nut | |
| 2 | 12581500/0 | 1 | Grower | |
| 3 | 22171005/0 | 1 | Spacer | |
| 4 | 12521360/0 | 1 | Washer | |
| 5 | 12508100/0 | 1 | Washer | |
| 6 | 81007220/0 | 1 | Lever, Throttle | (B&S 450-500 Series - Ggp 150 cc) |
| 6 | 81007279/1 | 1 | Lever, Throttle | (B&S 625-675-700 Series - Honda - Ggp 140-160-196 cc) |
| 7 | 81007080/0 | 1 | Cable, Trottle | |
| 8 | 12815000/0 | 1 | Screw | |
| 9 | 114356905/0 | 1 | Label | (B&S 700 series DOV) |
| 9 | 114356905/0 | 1 | Label | (Honda GCV 160-190 Autochoke) |
| 9 | 114364264/0 | 1 | Label | AVS (GGP 160-196) |
| 9 | 14356702/0 | 1 | Label | (Honda) |
| 9 | 14356702/0 | 1 | Label | (GGP) |
| 9 | 14356703/0 | 1 | Label | (B&S) |

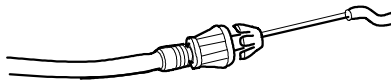
Rear Drive



**GENERAL
TRANSMISSION**

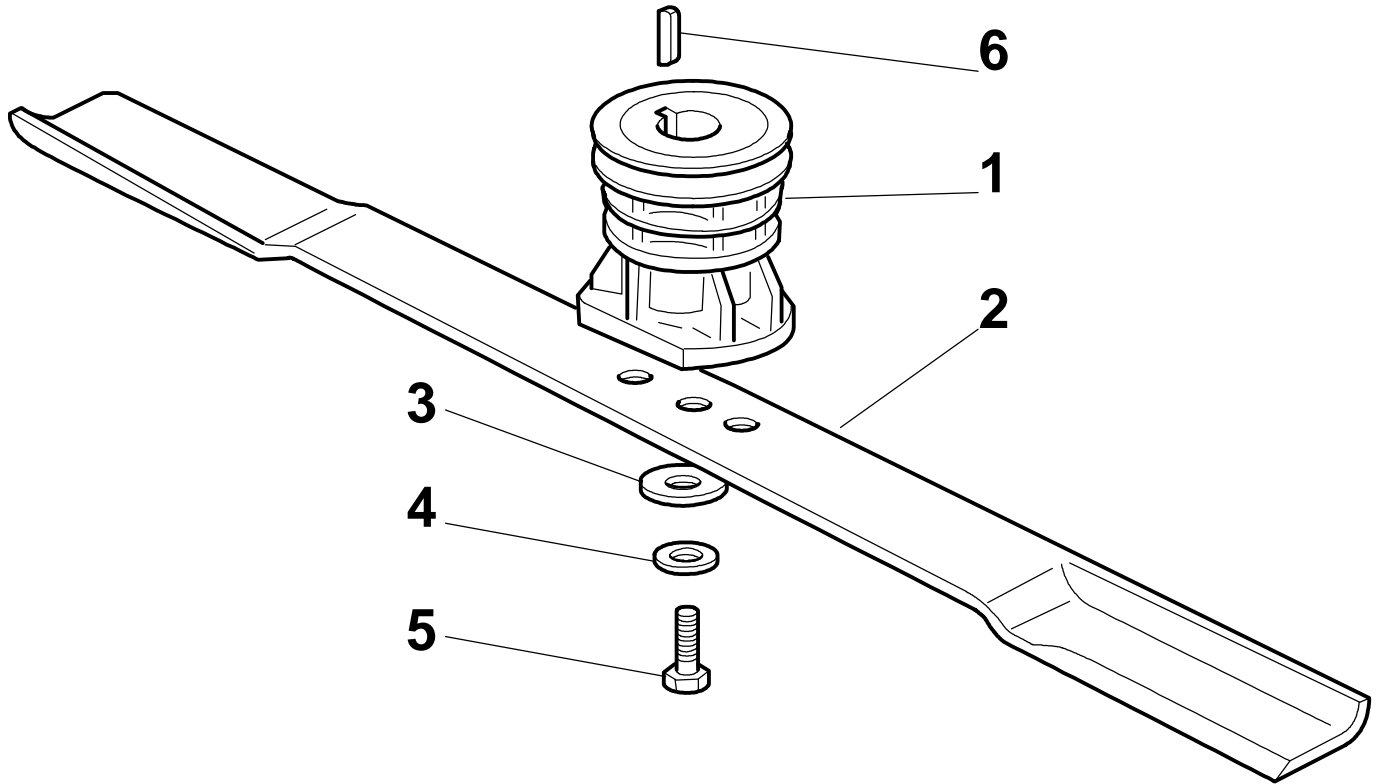


BI. CI. DI.



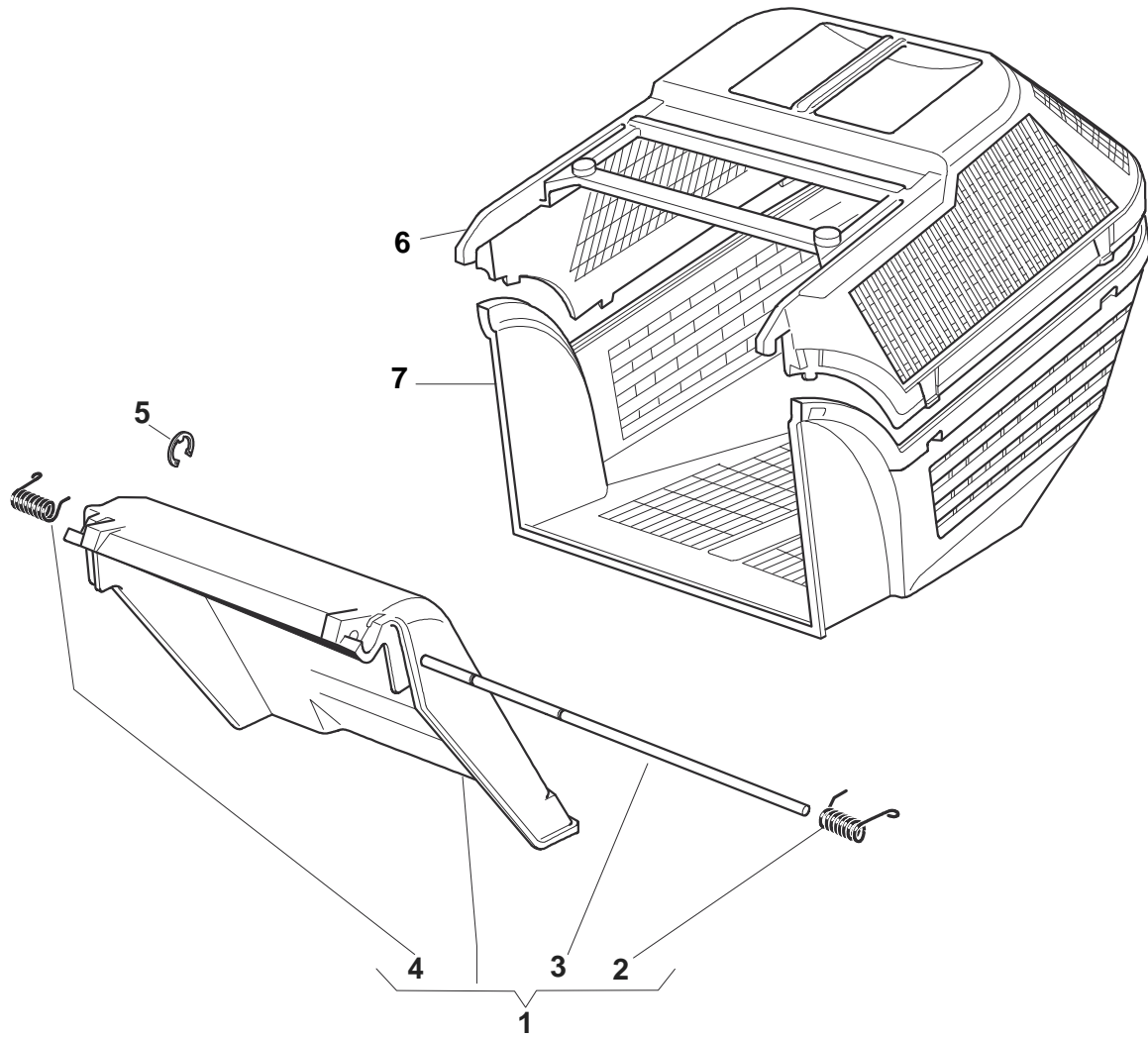
| Pos. | Part no. | Q.ty | Description | Remarks |
|------|------------|------|---------------------|------------------------|
| 1 | 22120105/1 | 2 | Ring Gear | |
| 2 | 22600093/0 | 1 | Protection, L Wheel | |
| 3 | 12608600/0 | 4 | Snap Ring | |
| 4 | 22570120/1 | 1 | Pinion L | |
| 5 | 19216035/0 | 2 | Bearing | |
| 6 | 22600092/0 | 1 | Protection, R Wheel | |
| 7 | 81000147/0 | 1 | Axle, Rear Wheels | |
| 8 | 22570110/1 | 1 | Pinion R | |
| 11 | 81003076/0 | 1 | Gear Box | (General Transmission) |
| 11 | 81003081/1 | 1 | Gear Box (Grey) | (Bi Ci Di) |
| 12 | 22601904/0 | 1 | Pulley | |
| 13 | 12645705/0 | 1 | Pin | |
| 14 | 22033280/0 | 1 | Adjustment Rod | (Bi Ci Di) |
| 14 | 22033283/0 | 1 | Adjustment Rod | (General Transmission) |
| 15 | 35063800/0 | 1 | Belt | |
| 16 | 22753000/0 | 2 | Pin | |
| 21 | 22041957/1 | 1 | Bush | |
| 22 | 22450063/0 | 1 | Spring | |
| 23 | 22680009/0 | 1 | Washer | |
| 24 | 12154510/0 | 1 | Nut | |
| 25 | 22110230/0 | 1 | Cap | |

Blade



| Pos. | Part no. | Q.ty | Description | Remarks |
|------|-------------|------|------------------------------------|---------|
| 1 | 122465607/3 | 1 | Hub With Pulley, Crankshaft Ø 22.2 | |
| 2 | 81004346/3 | 1 | Blade Standard | |
| 2 | 81004397/0 | 1 | Blade Winged | |
| 3 | 22160400/0 | 1 | Elastic Washer | |
| 4 | 12523080/0 | 1 | Washer | |
| 5 | 12735698/0 | 1 | Screw | |
| 6 | 12139100/0 | 1 | Key | |

Grass-Catcher



| Pos. | Part no. | Q.ty | Description | Remarks |
|------|-------------|------|------------------|---------|
| 1 | 381007308/2 | 1 | Stone-Guard | |
| 2 | 22450420/1 | 1 | L Spring | |
| 3 | 22517906/1 | 1 | Pin | |
| 4 | 22450410/1 | 1 | R Spring | |
| 5 | 12000930/0 | 1 | Snap Ring | |
| 6 | 322486073/1 | 1 | Grass-Box, Upper | |
| 7 | 22486074/0 | 1 | Grass-Box, Lower | |