



Green Passion

Illustrated Parts List

XE 75 VD

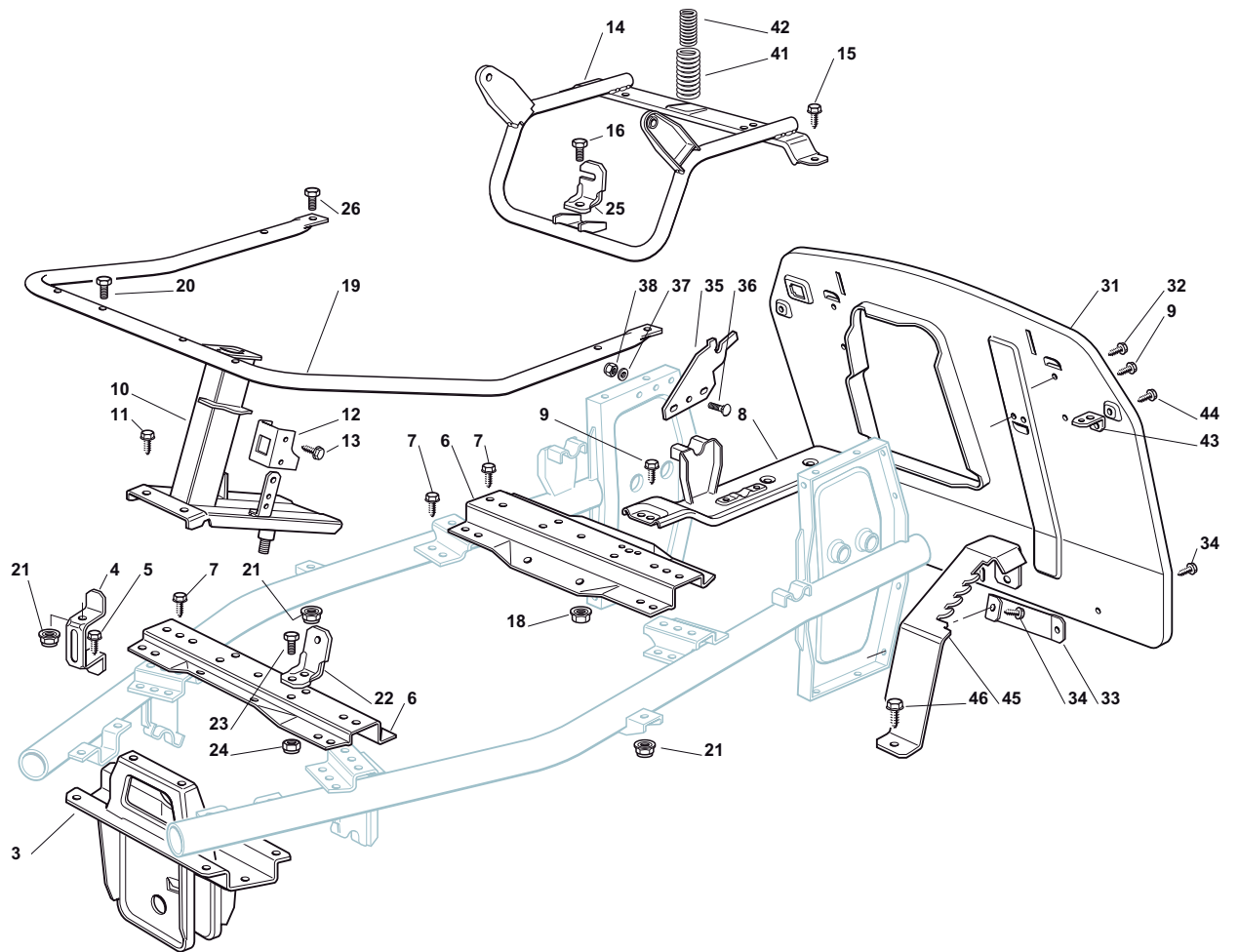
XE 80 VD

- Use GLOBAL GARDEN PRODUCT Genuine Spare Parts specified in the parts list for repair and/or replacement.
- The contents described in the parts list may change due to improvement.
- The drawings of the spare parts are only indicative and might not represent the part in question exactly.
- The indications "right" - "left" - "front" - "rear" refer to the position of the operator when using the machine.
- When placing orders of parts for repair and/or replacement, make sure that the illustrated parts list is the one applying to the machine's year of manufacture, as shown on the identification plate attached to the machine.

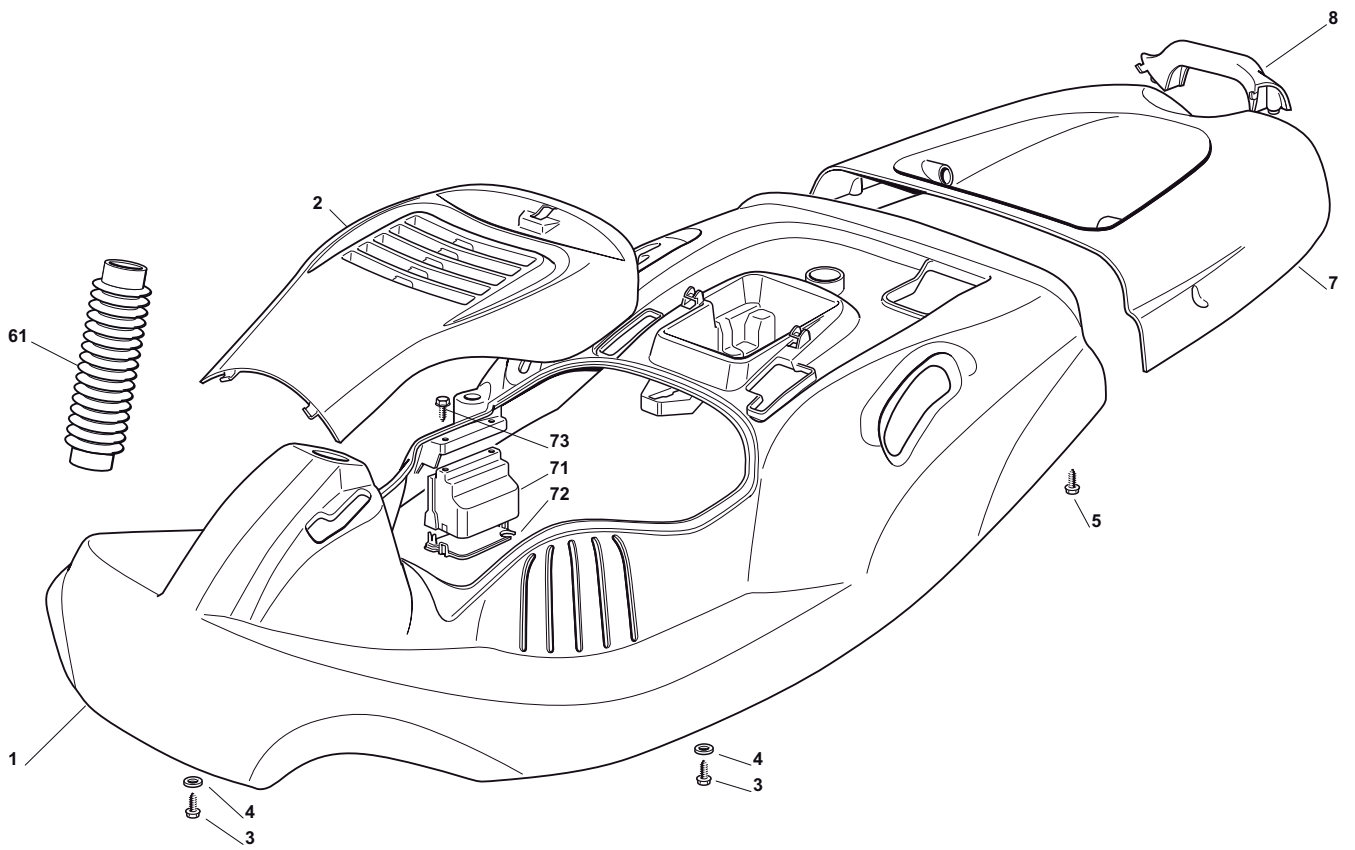
© Copyright 2012 Global Garden Products

All content is subject to copyright by Global Garden Products and may not be reproduced in whole or in part by any means, electronic or otherwise, without prior written approval.

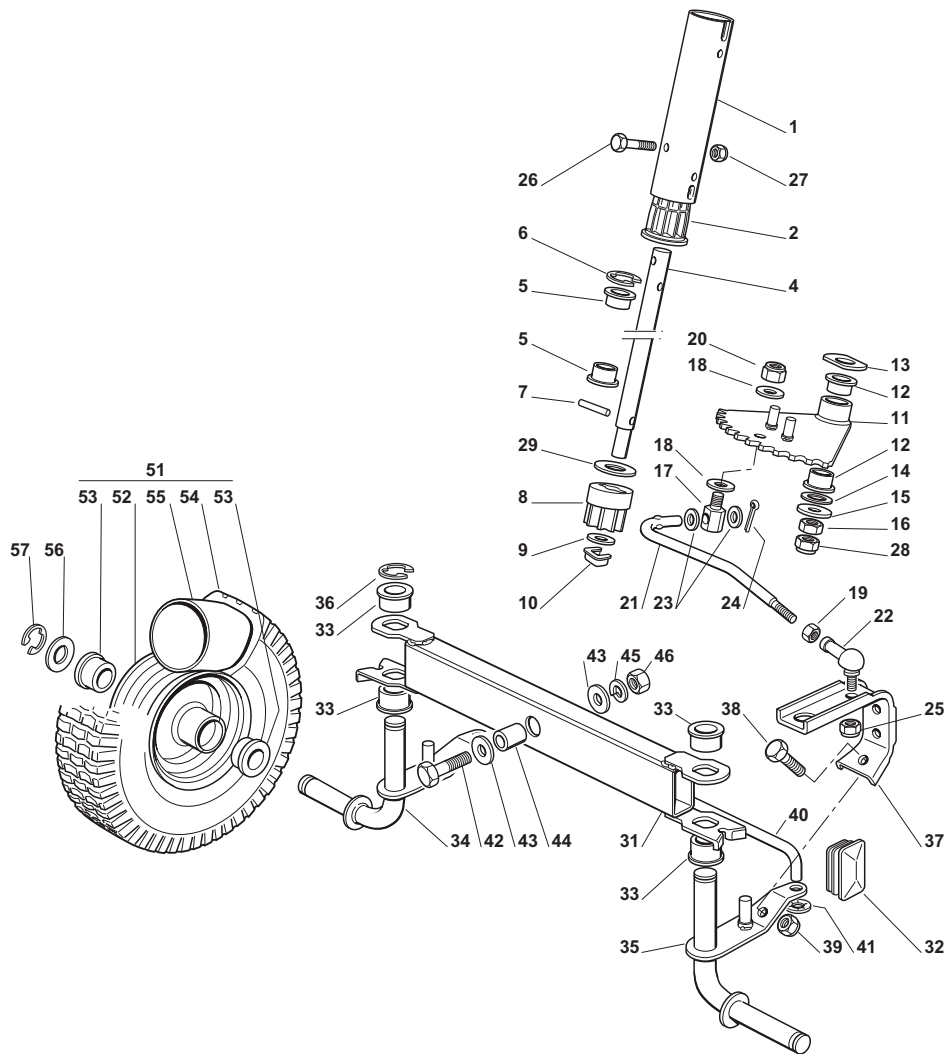
THIS INFORMATION IS NOT INTENDED FOR SALE OR RESALE, AND THIS NOTICE MUST REMAIN ON ALL COPIES.



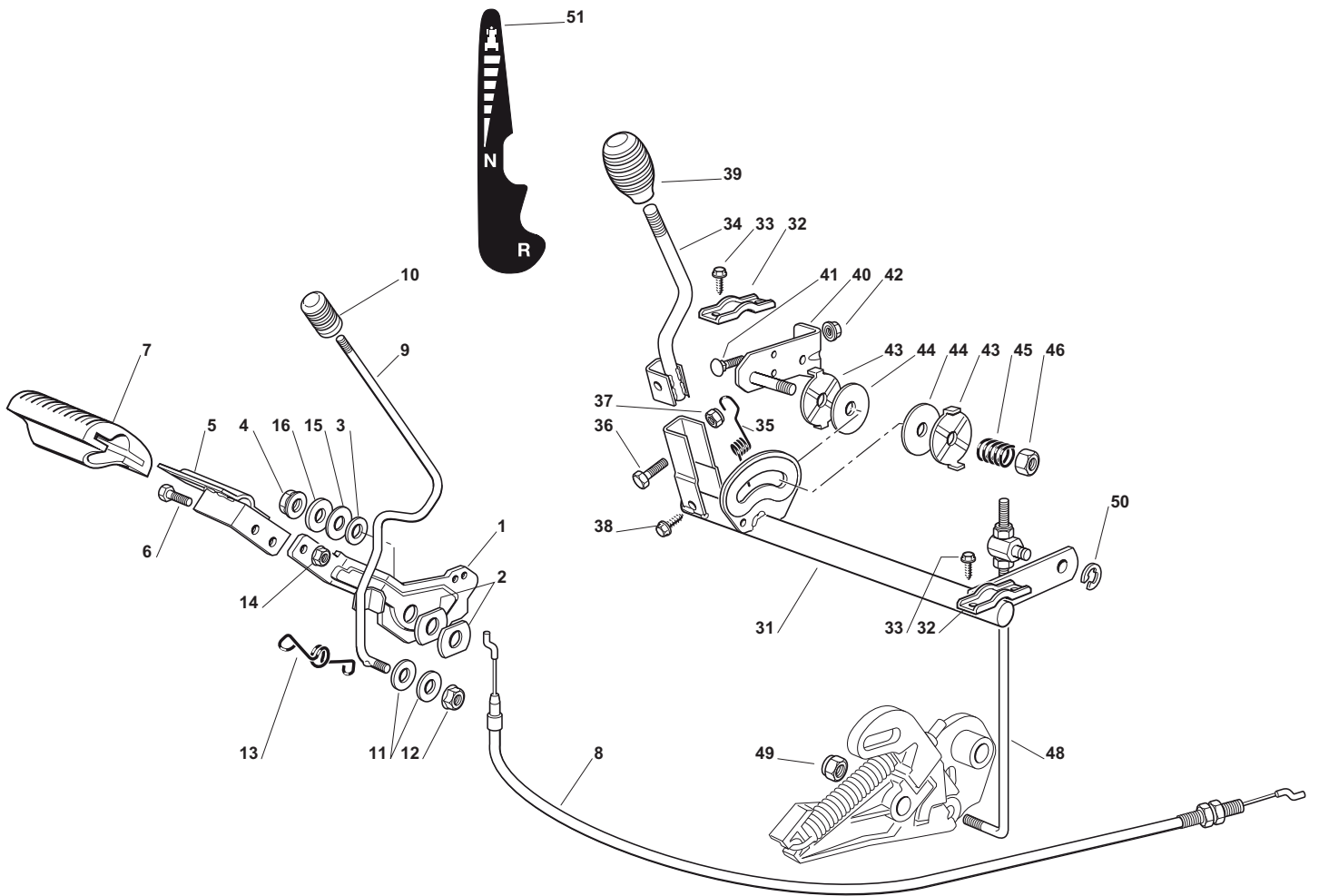
| Chassis | | | | |
|----------|-------------|------|-----------------------|-------|
| POSITION | CODE | Q.TY | DESCRIPTION | NOTES |
| 3 | 84783015/1 | 1 | Support | |
| 4 | 27772121/0 | 2 | Clamp | |
| 5 | 12735121/0 | 6 | Screw | |
| 6 | 27650115/1 | 2 | Stiffening | |
| 7 | 12735121/0 | 10 | Screw | |
| 8 | 84650105/0 | 1 | Stiffening | |
| 9 | 12735121/0 | 4 | Screw | |
| 10 | 84783037/0 | 1 | Support ,(GGP Engine) | |
| 10 | 384783055/0 | 1 | Support ,(B&S Engine) | |
| 11 | 12735121/0 | 6 | Screw | |
| 12 | 27772095/0 | 1 | Support | |
| 13 | 12735105/0 | 2 | Screw | |
| 14 | 384801117/2 | 1 | Support | |
| 15 | 12735121/0 | 2 | Screw | |
| 16 | 12793701/0 | 1 | Screw | |
| 18 | 12293201/0 | 1 | Nut | |
| 19 | 27869057/0 | 1 | Support | |
| 20 | 12792099/0 | 2 | Screw | |
| 21 | 12154510/0 | 4 | Nut | |
| 22 | 27773077/0 | 1 | Angle Bracket | |
| 23 | 12791011/0 | 1 | Screw | |
| 24 | 12154510/0 | 1 | Nut | |
| 25 | 27753081/0 | 1 | Angle Bracket | |
| 26 | 12791500/0 | 2 | Screw | |
| 31 | 84545061/0 | 1 | Rear Plate | |
| 32 | 12735121/0 | 4 | Screw | |
| 33 | 27650111/0 | 2 | Stiffening | |
| 34 | 12735121/0 | 4 | Screw | |
| 35 | 27772131/0 | 2 | Clamp | |
| 36 | 12818690/0 | 2 | Screw | |
| 37 | 12521350/0 | 2 | Washer | |
| 38 | 12155000/0 | 2 | Nut | |
| 41 | 27430567/0 | 1 | Spring | |
| 42 | 127430569/2 | 1 | Spring | |
| 43 | 27753073/0 | 2 | Angle Bracket | |
| 44 | 12729600/0 | 2 | Screw | |
| 45 | 27734059/0 | 1 | Rack | |
| 46 | 12735121/0 | 2 | Screw | |



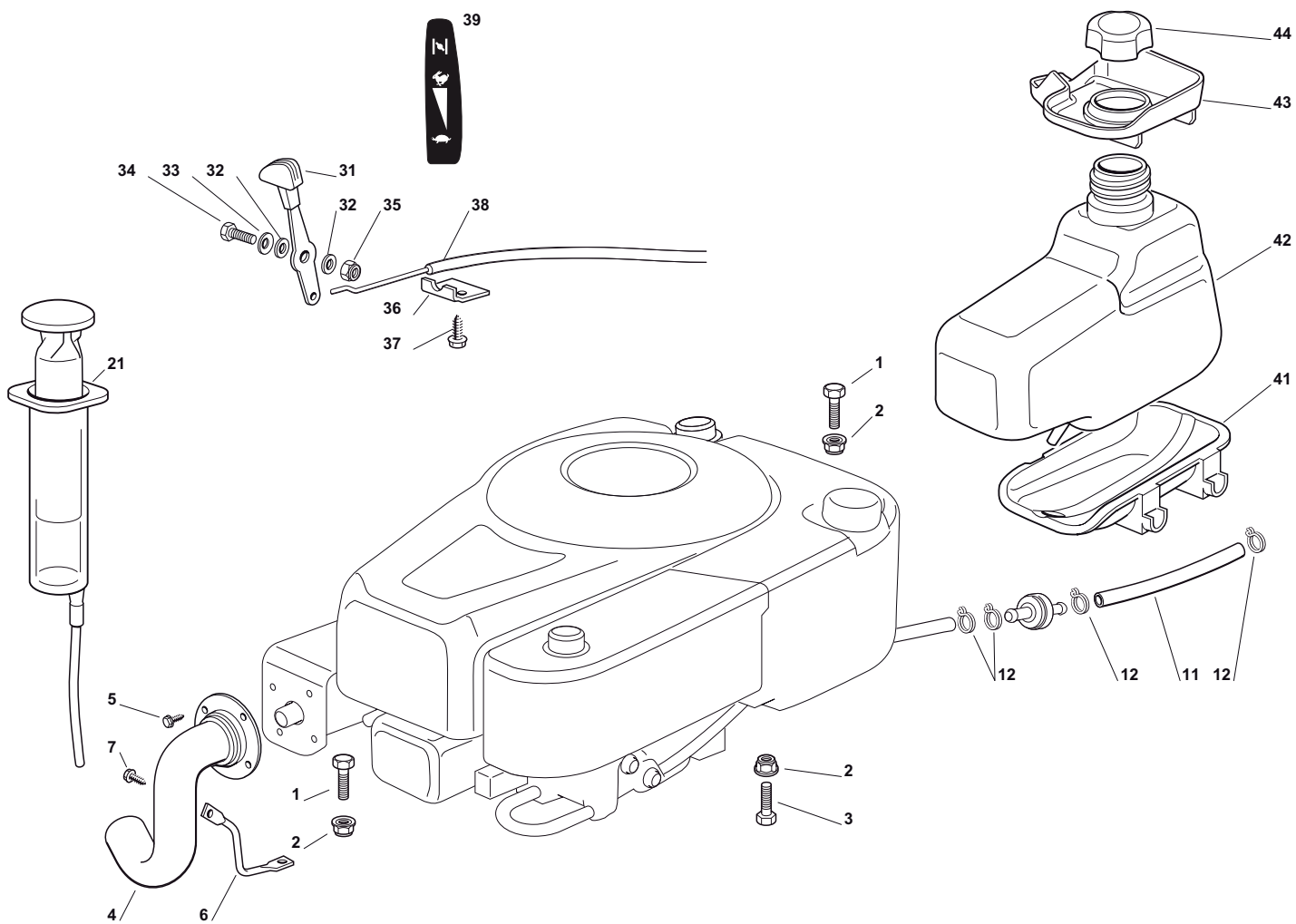
| Body | | | | |
|-----------------|-------------|-------------|--------------------------|--------------|
| POSITION | CODE | Q.TY | DESCRIPTION | NOTES |
| 1 | 27110355/1 | 1 | Wheels Cover Red | |
| 2 | 27110409/0 | 1 | Engine Cover Grey | |
| 3 | 12735410/0 | 4 | Screw | |
| 4 | 12523040/0 | 4 | Washer | |
| 5 | 12735402/0 | 2 | Screw | |
| 7 | 27110357/1 | 1 | Grass-Catcher Cover, Red | |
| 8 | 27394000/0 | 1 | Handle | |
| 61 | 27600114/1 | 1 | Guard | |
| 71 | 27600119/0 | 1 | Guard | |
| 72 | 27600118/0 | 1 | Guard | |
| 73 | 12727810/0 | 2 | Screw | |



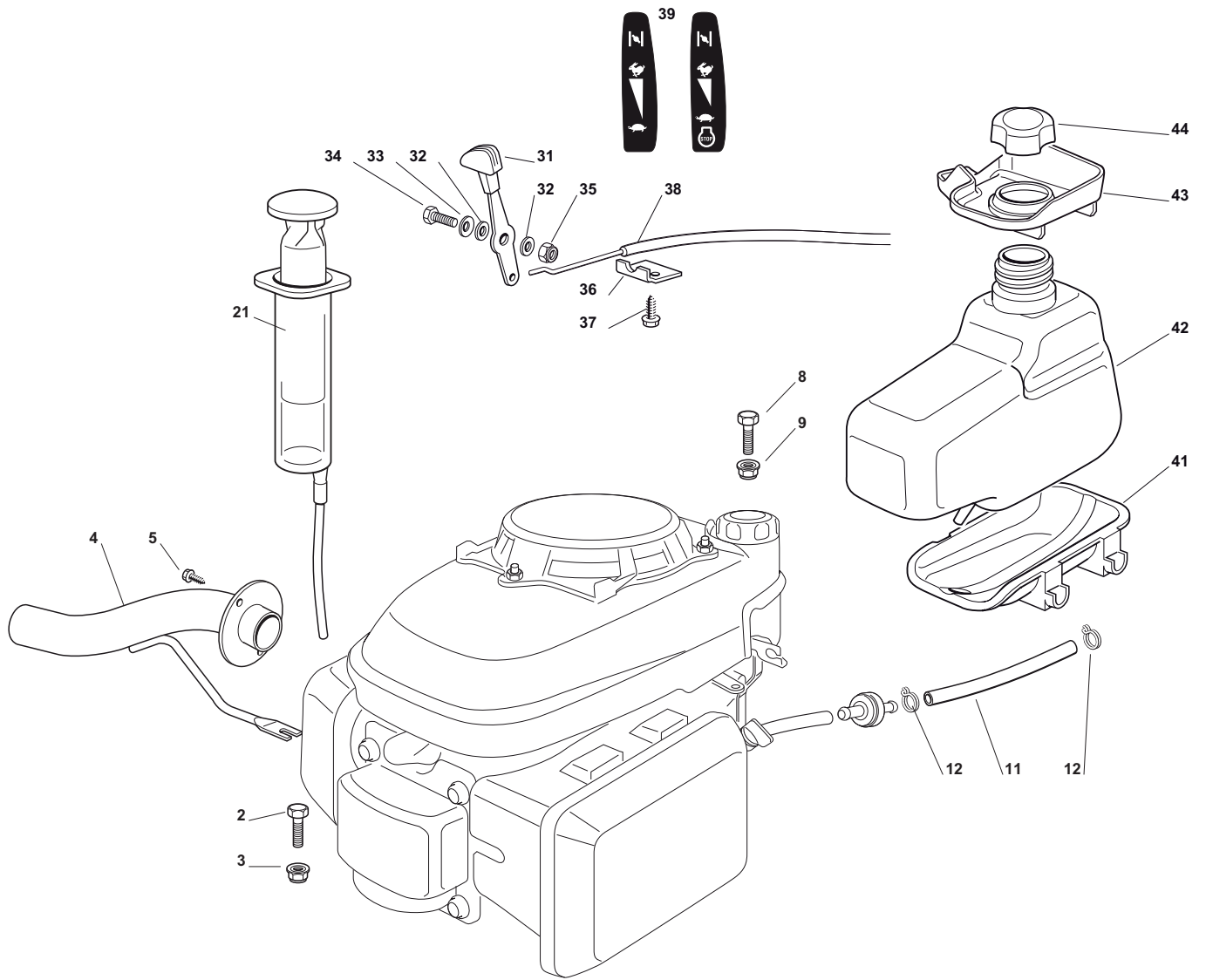
| Steering | | | | |
|----------|-------------|------|-----------------|-------|
| POSITION | CODE | Q.TY | DESCRIPTION | NOTES |
| 1 | 27340305/1 | 1 | Colum Extension | |
| 2 | 27047005/1 | 1 | Bush | |
| 4 | 27520052/0 | 1 | Steering Column | |
| 5 | 27047004/0 | 2 | Bush | |
| 6 | 12001010/0 | 1 | Snap Ring | |
| 7 | 12622650/0 | 1 | Pin | |
| 8 | 27570050/0 | 1 | Pinion | |
| 9 | 12521370/0 | 1 | Washer | |
| 10 | 12436030/0 | 1 | Plate | |
| 11 | 84735553/1 | 1 | Ring Gear | |
| 12 | 27047004/0 | 2 | Bush | |
| 13 | 27670054/0 | 1 | Washer | |
| 14 | 22672152/0 | 1 | Washer | |
| 15 | 12523070/0 | 1 | Washer | |
| 16 | 12293200/0 | 1 | Nut | |
| 17 | 25510056/0 | 1 | Pin | |
| 18 | 25670008/1 | 2 | Washer | |
| 19 | 12293200/0 | 1 | Nut | |
| 20 | 12156602/0 | 1 | Nut | |
| 21 | 27034066/2 | 1 | Rod | |
| 22 | 122746610/0 | 1 | Joint | |
| 23 | 25670008/1 | 2 | Washer | |
| 24 | 12141418/0 | 1 | Cotter Pin | |
| 25 | 12155000/0 | 1 | Nut | |
| 26 | 12689515/0 | 2 | Screw | |
| 27 | 12154510/0 | 2 | Nut | |
| 28 | 12155000/0 | 1 | Nut | |
| 29 | 27670054/0 | 1 | Washer | |
| 31 | 84034059/0 | 1 | Equalizer | |
| 32 | 18737852/0 | 2 | Cap | |
| 33 | 27047004/0 | 4 | Bush | |
| 34 | 84230405/0 | 1 | Right Stub Axle | |
| 35 | 84230407/0 | 1 | Left Stub Axle | |
| 36 | 12000970/0 | 1 | Snap Ring | |
| 37 | 27787041/0 | 1 | Support | |
| 38 | 12793102/0 | 1 | Screw | |
| 39 | 12155000/0 | 1 | Nut | |
| 40 | 27840051/0 | 1 | Tie Rod | |
| 41 | 12604899/0 | 2 | Crown Fastener | |
| 42 | 12692695/0 | 1 | Screw | |
| 43 | 12523100/0 | 2 | Washer | |
| 44 | 25160016/0 | 1 | Spacer | |
| 45 | 12587100/0 | 1 | Grower | |
| 46 | 12295300/0 | 1 | Nut | |
| 51 | 84680056/1 | 2 | Front Wheel | |
| 52 | 84044002/0 | 2 | Rimm | |
| 53 | 27045070/0 | 4 | Bush | |
| 54 | 27590058/0 | 2 | Shoe | |
| 55 | 27590056/0 | 2 | Inner Tube | |
| 56 | 12521390/0 | 2 | Washer | |
| 57 | 12000970/0 | 2 | Snap Ring | |



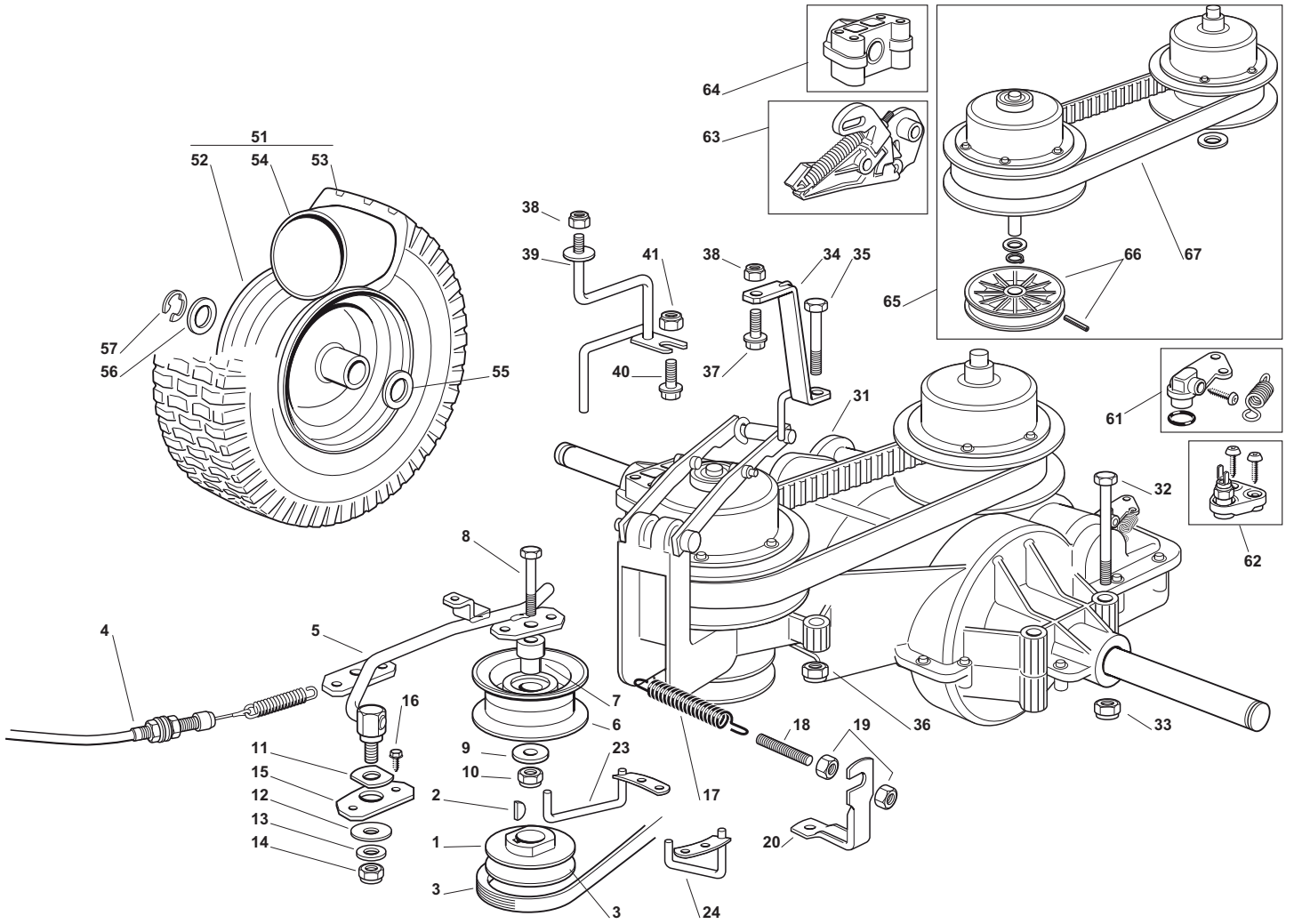
| Drive And Brake Controls | | | | |
|--------------------------|-------------|------|-------------|-------|
| POSITION | CODE | Q.TY | DESCRIPTION | NOTES |
| 1 | 27500051/0 | 1 | Pedal | |
| 2 | 27670054/0 | 2 | Washer | |
| 3 | 12521350/0 | 1 | Washer | |
| 4 | 12154210/0 | 1 | Nut | |
| 5 | 84503005/0 | 1 | Pedal Upper | |
| 6 | 112791200/1 | 2 | Screw | |
| 7 | 25110269/0 | 1 | Clamp Cover | |
| 8 | 184207107/0 | 1 | Cable | |
| 9 | 27034064/1 | 1 | Rod | |
| 10 | 27395050/1 | 1 | Knob | |
| 11 | 25670011/0 | 2 | Washer | |
| 12 | 12154210/0 | 1 | Nut | |
| 13 | 27430564/0 | 1 | Spring | |
| 14 | 12292102/0 | 2 | Nut | |
| 15 | 27670055/0 | 1 | Washer | |
| 16 | 12523060/0 | 1 | Washer | |
| 31 | 384001027/0 | 1 | Axle | |
| 32 | 27546015/1 | 2 | Plate | |
| 33 | 12729600/0 | 4 | Screw | |
| 34 | 84317071/0 | 1 | Gearshift | |
| 35 | 27430570/1 | 1 | Spring | |
| 36 | 12674700/0 | 1 | Screw | |
| 37 | 12154510/0 | 1 | Nut | |
| 38 | 12729600/0 | 1 | Screw | |
| 39 | 25394510/0 | 1 | Knob | |
| 40 | 384783047/0 | 1 | Bracket | |
| 41 | 12818690/0 | 2 | Screw | |
| 42 | 12293201/0 | 2 | Nut | |
| 43 | 27670053/0 | 2 | Washer | |
| 44 | 127207000/0 | 2 | Lining | |
| 45 | 27430560/0 | 1 | Spring | |
| 46 | 12155020/0 | 1 | Nut | |
| 48 | 384002084/1 | 1 | Rod | |
| 49 | 12150000/0 | 1 | Nut | |
| 50 | 12604897/0 | 1 | Snap Ring | |
| 51 | 114362319/0 | 1 | Label | |



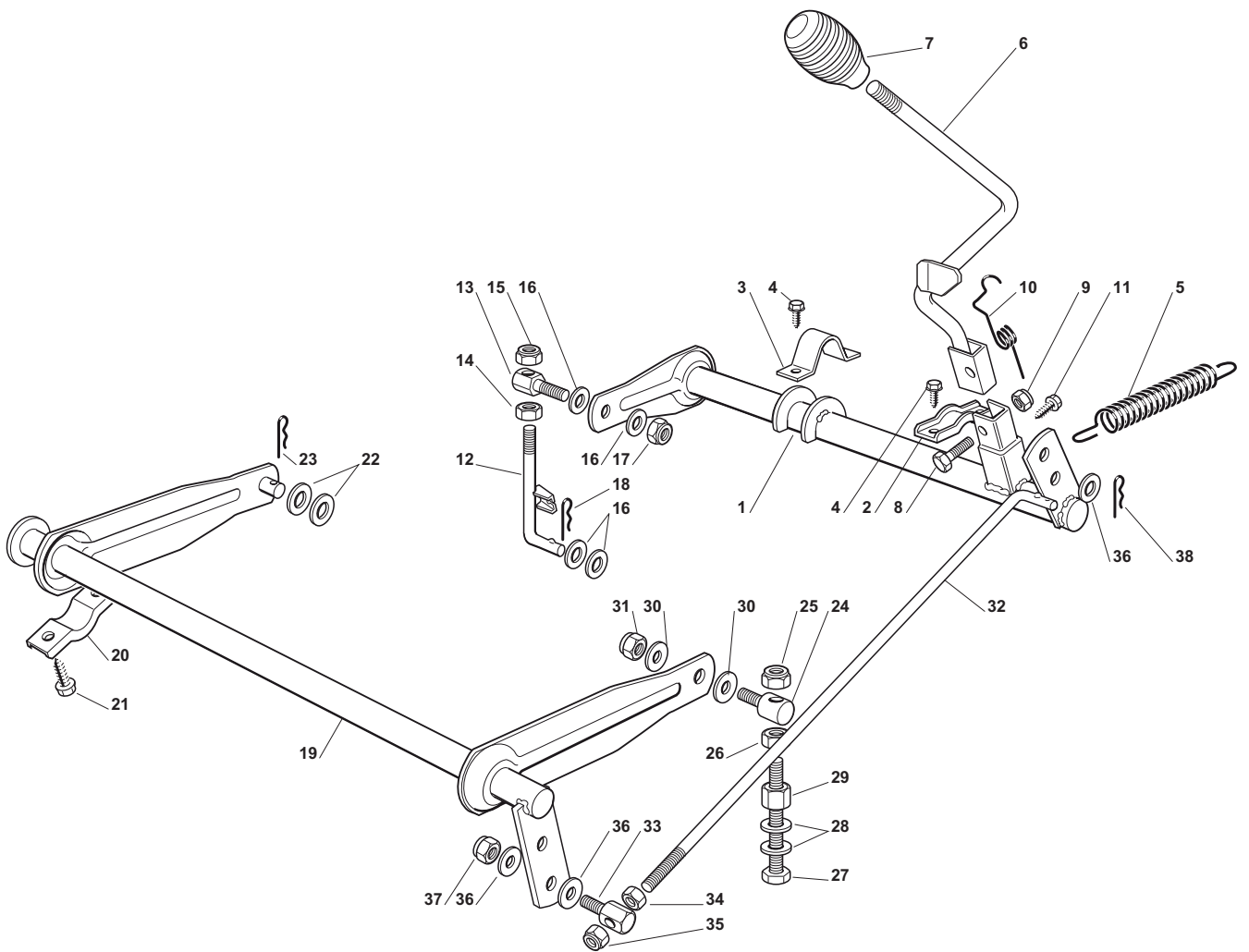
| Engine - B&S | | | | |
|--------------|-------------|------|--------------------|-------|
| POSITION | CODE | Q.TY | DESCRIPTION | NOTES |
| 1 | 12691100/0 | 2 | Screw | |
| 2 | 12154210/0 | 3 | Nut | |
| 3 | 12691800/0 | 1 | Screw | |
| 4 | 118738245/0 | 1 | Exauste Tube | |
| 5 | 12735104/0 | 1 | Screw | |
| 6 | 127787077/0 | 1 | Bracket | |
| 7 | 12735110/0 | 1 | Screw | |
| 11 | 25869033/1 | 1 | Tube | |
| 12 | 18375051/1 | 2 | Fair Led | |
| 21 | 18718000/0 | 1 | Syringe | |
| 31 | 384317094/0 | 1 | Accelerator Lever | |
| 32 | 12523040/0 | 2 | Washer | |
| 33 | 12530060/0 | 1 | Washer | |
| 34 | 12791500/0 | 1 | Screw | |
| 35 | 12154510/0 | 1 | Nut | |
| 36 | 22981467/0 | 1 | Plate | |
| 37 | 12735105/0 | 2 | Screw | |
| 38 | 184000254/0 | 1 | Throttle Cable | |
| 39 | 114364614/0 | 1 | Label (ELV63,EL63) | |
| 41 | 27787057/0 | 1 | Support | |
| 42 | 27733002/1 | 1 | Tank | |
| 43 | 27600113/0 | 1 | Guard | |
| 44 | 27790000/1 | 1 | Cap | |



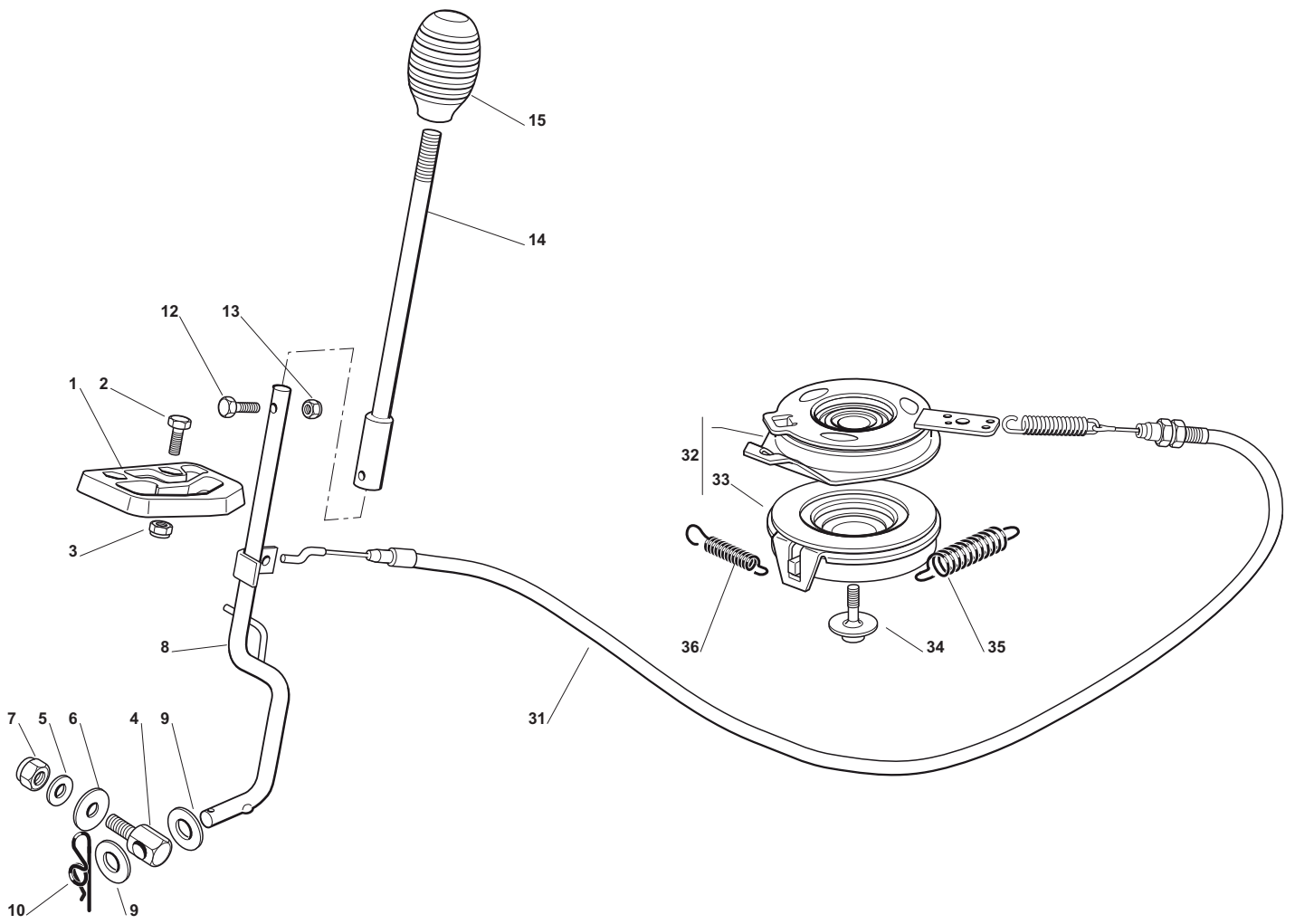
| Engine - Honda | | | | |
|----------------|-------------|------|-------------------|-------|
| POSITION | CODE | Q.TY | DESCRIPTION | NOTES |
| 2 | 12691100/0 | 3 | Screw | |
| 3 | 12154210/0 | 3 | Nut | |
| 4 | 118738232/0 | 1 | Exhaust Tube | |
| 5 | 12735111/0 | 3 | Screw | |
| 8 | 112878000/0 | 2 | Screw | |
| 9 | 12292102/0 | 2 | Nut | |
| 11 | 25869035/1 | 1 | Tube | |
| 12 | 18375051/1 | 2 | Fair Led | |
| 21 | 18718000/0 | 1 | Syringe | |
| 31 | 81007280/2 | 1 | Accelerator Lever | |
| 32 | 12523040/0 | 2 | Washer | |
| 33 | 12530060/0 | 1 | Washer | |
| 34 | 12791500/0 | 1 | Screw | |
| 35 | 12154510/0 | 1 | Nut | |
| 36 | 22981467/0 | 1 | Plate | |
| 37 | 12735105/0 | 2 | Screw | |
| 38 | 84000253/1 | 1 | Throttle Cable | |
| 39 | 14358415/0 | 1 | Label | |
| 41 | 27787057/0 | 1 | Support | |
| 42 | 27733002/1 | 1 | Tank | |
| 43 | 27600113/0 | 1 | Guard | |
| 44 | 27790000/1 | 1 | Cap | |



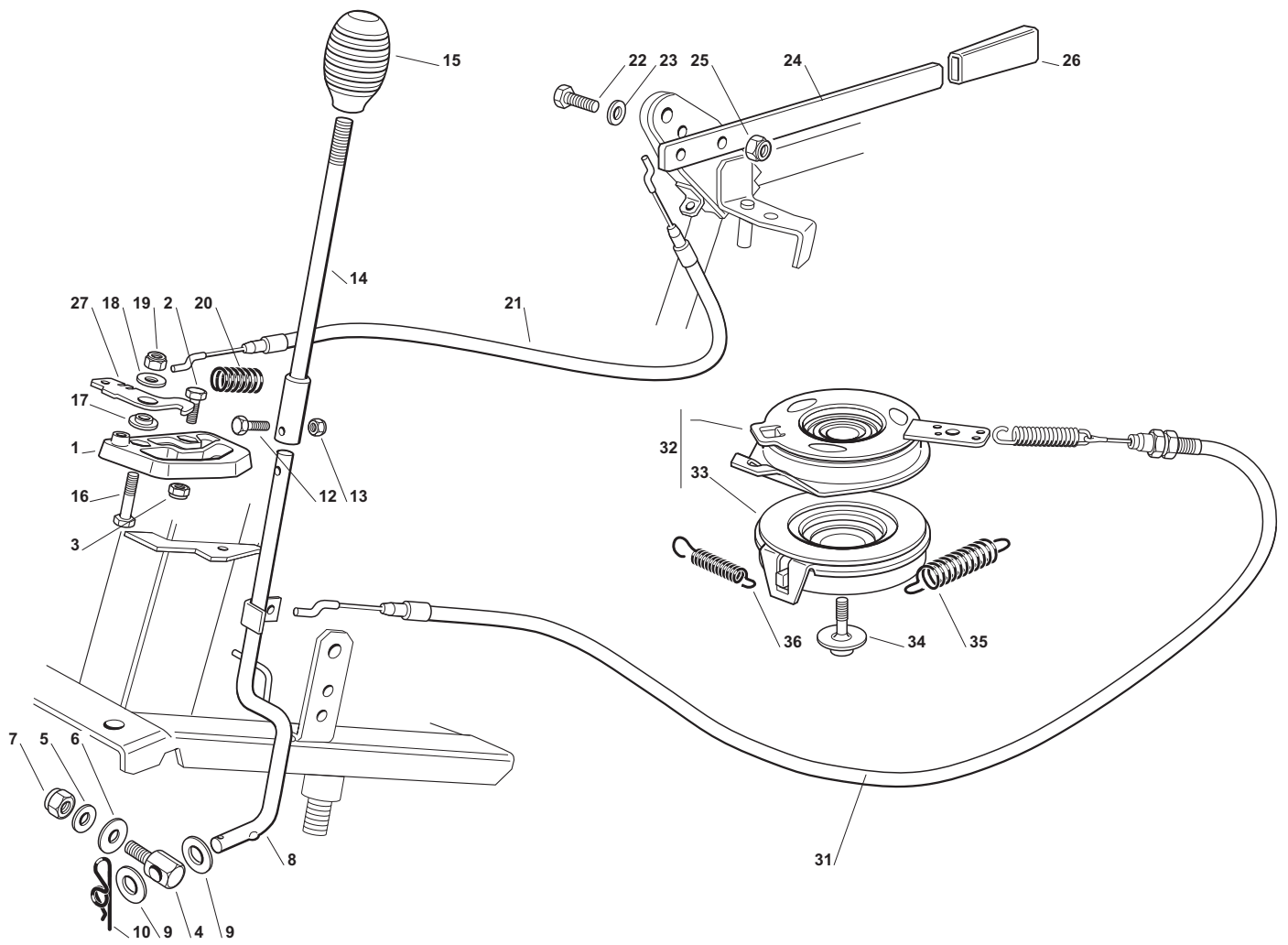
| Transmission | | | | |
|--------------|-------------|------|-------------------|-------|
| POSITION | CODE | Q.TY | DESCRIPTION | NOTES |
| 1 | 127604012/0 | 1 | Pulley | |
| 2 | 12139100/0 | 1 | Feather | |
| 3 | 135061427/0 | 1 | Belt | |
| 4 | 84207103/2 | 1 | Cable | |
| 5 | 384317091/0 | 1 | Lever | |
| 6 | 27604007/0 | 1 | Pulley | |
| 7 | 27047007/0 | 1 | Bush | |
| 8 | 12691200/0 | 1 | Screw | |
| 9 | 12523060/0 | 1 | Washer | |
| 10 | 12155000/0 | 1 | Nut | |
| 11 | 27670054/0 | 1 | Washer | |
| 12 | 12523070/0 | 1 | Washer | |
| 12 | 119700064/0 | 1 | Gearbox Switch | |
| 13 | 25670011/0 | 1 | Washer | |
| 14 | 12155000/0 | 1 | Nut | |
| 15 | 27546029/0 | 1 | Plate | |
| 16 | 12735121/0 | 2 | Screw | |
| 17 | 25430219/0 | 1 | Spring | |
| 18 | 25840005/0 | 1 | Tie Rod | |
| 19 | 12293200/0 | 2 | Nut | |
| 20 | 327773081/1 | 1 | Angle Bracket | |
| 23 | 382270305/0 | 1 | Plate | |
| 24 | 382270307/0 | 1 | Plate | |
| 31 | 118400973/1 | 1 | Transmission Unit | |
| 32 | 12692050/0 | 4 | Screw | |
| 33 | 12154210/0 | 4 | Nut | |
| 34 | 384783045/0 | 1 | Support | |
| 35 | 12691115/0 | 1 | Screw | |
| 36 | 12154210/0 | 1 | Nut | |
| 37 | 12793102/0 | 1 | Screw | |
| 38 | 12154210/0 | 2 | Nut | |
| 39 | 384783043/0 | 1 | Support | |
| 40 | 12793301/0 | 1 | Screw | |
| 41 | 12154210/0 | 1 | Nut | |
| 51 | 84680057/1 | 2 | Rear Wheel | |
| 52 | 84044005/0 | 2 | Rimm | |
| 53 | 27590059/0 | 2 | Shoe | |
| 54 | 27590057/0 | 2 | Inner Tube | |
| 55 | 12521410/0 | 2 | Washer | |
| 56 | 25670005/1 | 2 | Washer | |
| 57 | 12001010/0 | 2 | Snap Ring | |
| 61 | 119700059/0 | 1 | Brake Kit | |
| 63 | 119700065/0 | 1 | Control Unit | |
| 64 | 119700061/0 | 1 | Bush | |
| 65 | 119700057/0 | 1 | Variator Kit | |
| 66 | 119700066/0 | 1 | Pulley | |
| 67 | 119700062/0 | 1 | Belt | |



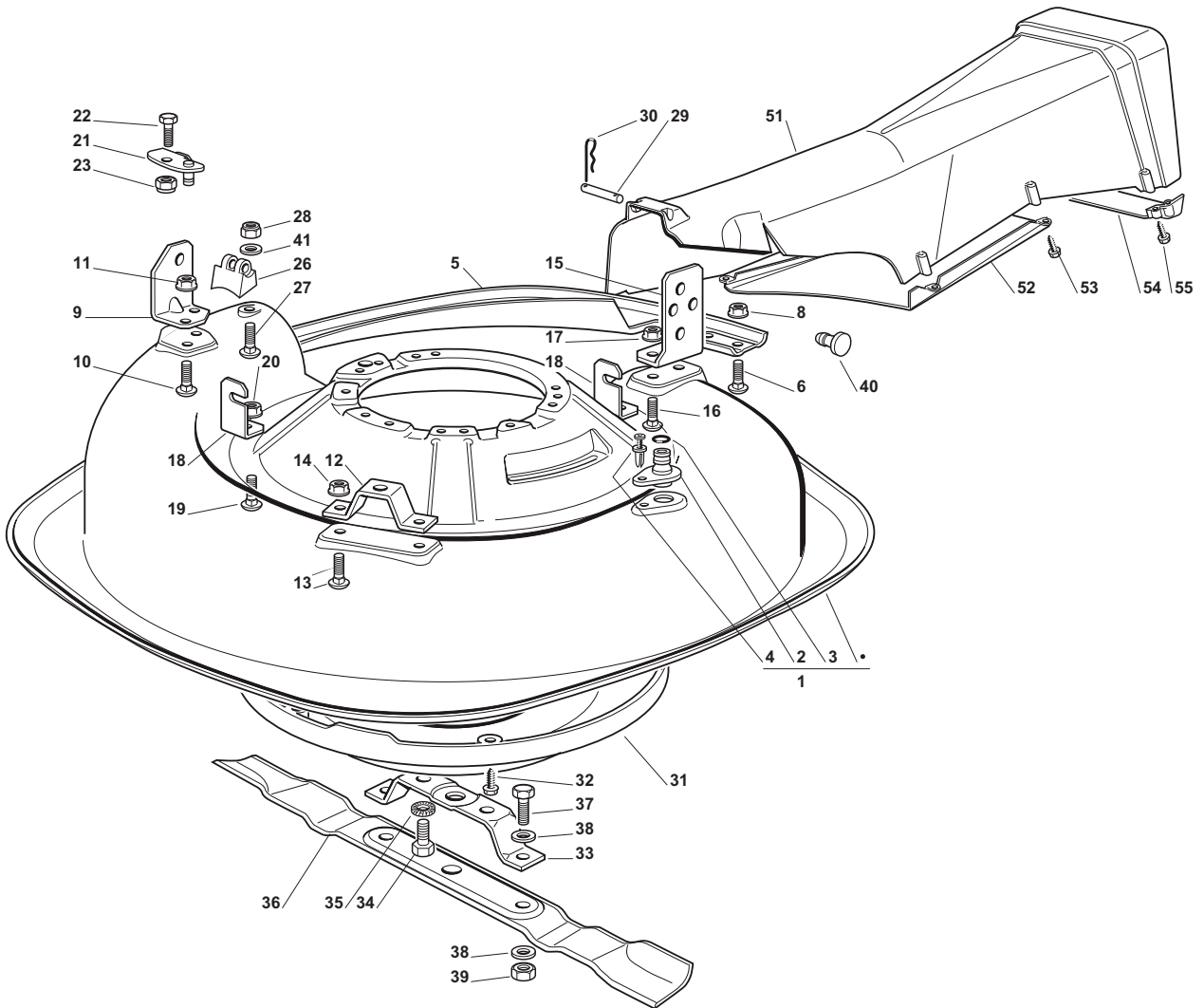
| Cutting Plate Lifting | | | | |
|-----------------------|-------------|------|-------------|-------|
| POSITION | CODE | Q.TY | DESCRIPTION | NOTES |
| 1 | 84001017/0 | 1 | Axle | |
| 2 | 27546015/1 | 1 | Plate | |
| 3 | 25547037/1 | 1 | Plate | |
| 4 | 12729600/0 | 4 | Screw | |
| 5 | 27430568/0 | 1 | Spring | |
| 6 | 84317075/0 | 1 | Gearshift | |
| 7 | 25394510/0 | 1 | Knob | |
| 8 | 12674700/0 | 1 | Screw | |
| 9 | 12154510/0 | 1 | Nut | |
| 10 | 27430574/0 | 1 | Spring | |
| 11 | 12729600/0 | 4 | Screw | |
| 12 | 84002073/0 | 1 | Rod | |
| 13 | 25510056/0 | 1 | Pin | |
| 14 | 12295200/0 | 1 | Nut | |
| 15 | 12156602/0 | 1 | Nut | |
| 16 | 25670008/1 | 4 | Washer | |
| 17 | 12156602/0 | 1 | Nut | |
| 18 | 24487997/0 | 1 | Cotter Pin | |
| 19 | 84001019/0 | 1 | Axle | |
| 19 | 384001033/0 | 1 | Axle (GGP) | |
| 20 | 27546015/1 | 2 | Plate | |
| 21 | 12731350/0 | 4 | Screw | |
| 22 | 25670008/1 | 2 | Washer | |
| 23 | 24487997/0 | 1 | Cotter Pin | |
| 24 | 125510007/2 | 1 | Pin | |
| 25 | 12156602/0 | 1 | Nut | |
| 26 | 12295200/0 | 1 | Nut | |
| 27 | 12794970/0 | 1 | Screw | |
| 28 | 12521360/0 | 2 | Washer | |
| 29 | 12154250/0 | 1 | Nut | |
| 30 | 25670008/1 | 2 | Washer | |
| 31 | 12156602/0 | 1 | Nut | |
| 32 | 27034065/0 | 1 | Rod | |
| 33 | 25510040/1 | 1 | Pin | |
| 34 | 12293200/0 | 1 | Nut | |
| 35 | 12155000/0 | 1 | Nut | |
| 36 | 25670011/0 | 3 | Washer | |
| 37 | 12155000/0 | 1 | Nut | |
| 38 | 24487997/0 | 1 | Cotter Pin | |



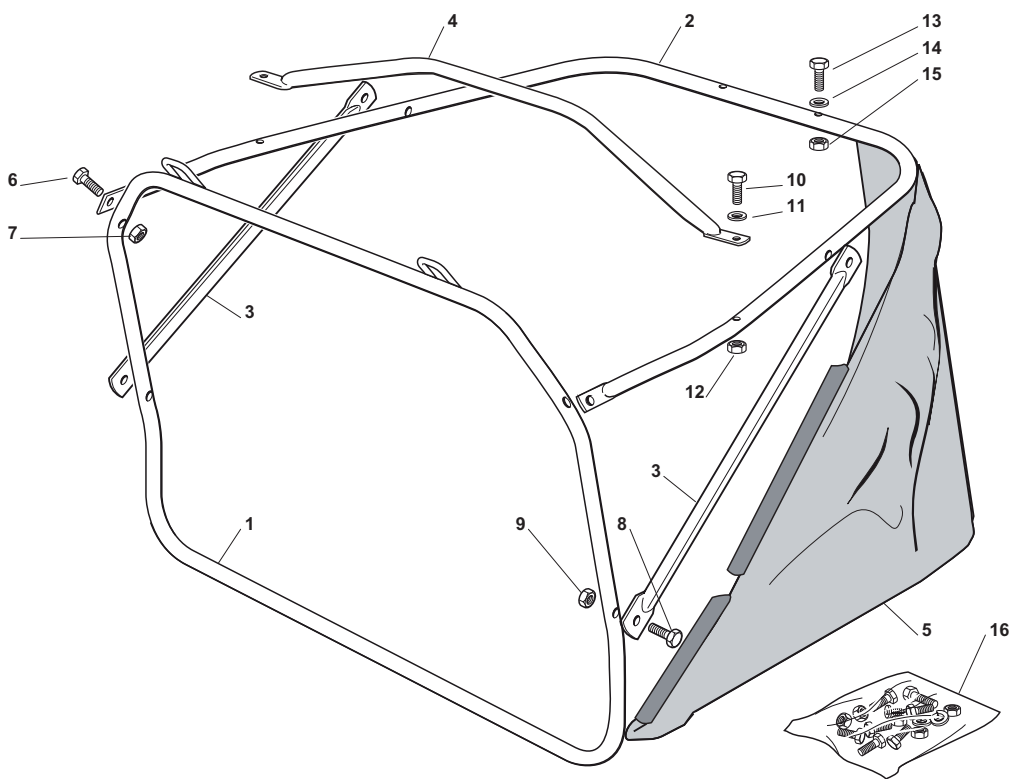
| Blades Engagement - GGP Engine - Honda Engines | | | | |
|--|-------------|------|-------------------------|-------|
| POSITION | CODE | Q.TY | DESCRIPTION | NOTES |
| 1 | 27487001/0 | 1 | Shoe | |
| 2 | 112791200/1 | 2 | Screw | |
| 3 | 12154510/0 | 2 | Nut | |
| 4 | 27510107/0 | 1 | Pin | |
| 5 | 25670011/0 | 1 | Washer | |
| 6 | 22672152/0 | 1 | Washer | |
| 7 | 12155000/0 | 1 | Nut | |
| 8 | 84317073/1 | 1 | Lever | |
| 9 | 21660100/0 | 2 | Thurst Washer | |
| 10 | 24487998/0 | 1 | Cotter Pin | |
| 12 | 12789020/0 | 1 | Screw | |
| 13 | 12154330/0 | 1 | Nut | |
| 14 | 84317079/0 | 1 | Gearshift | |
| 15 | 25394510/0 | 1 | Knob | |
| 31 | 84207104/1 | 1 | Cable | |
| 32 | 18399065/1 | 1 | Mechanical Clutch Ass.Y | |
| 33 | 18399066/1 | 1 | Clutch, Lower Part | |
| 34 | 12735460/0 | 1 | Screw | |
| 35 | 27430579/0 | 1 | Spring | |
| 36 | 22450110/0 | 1 | Spring | |



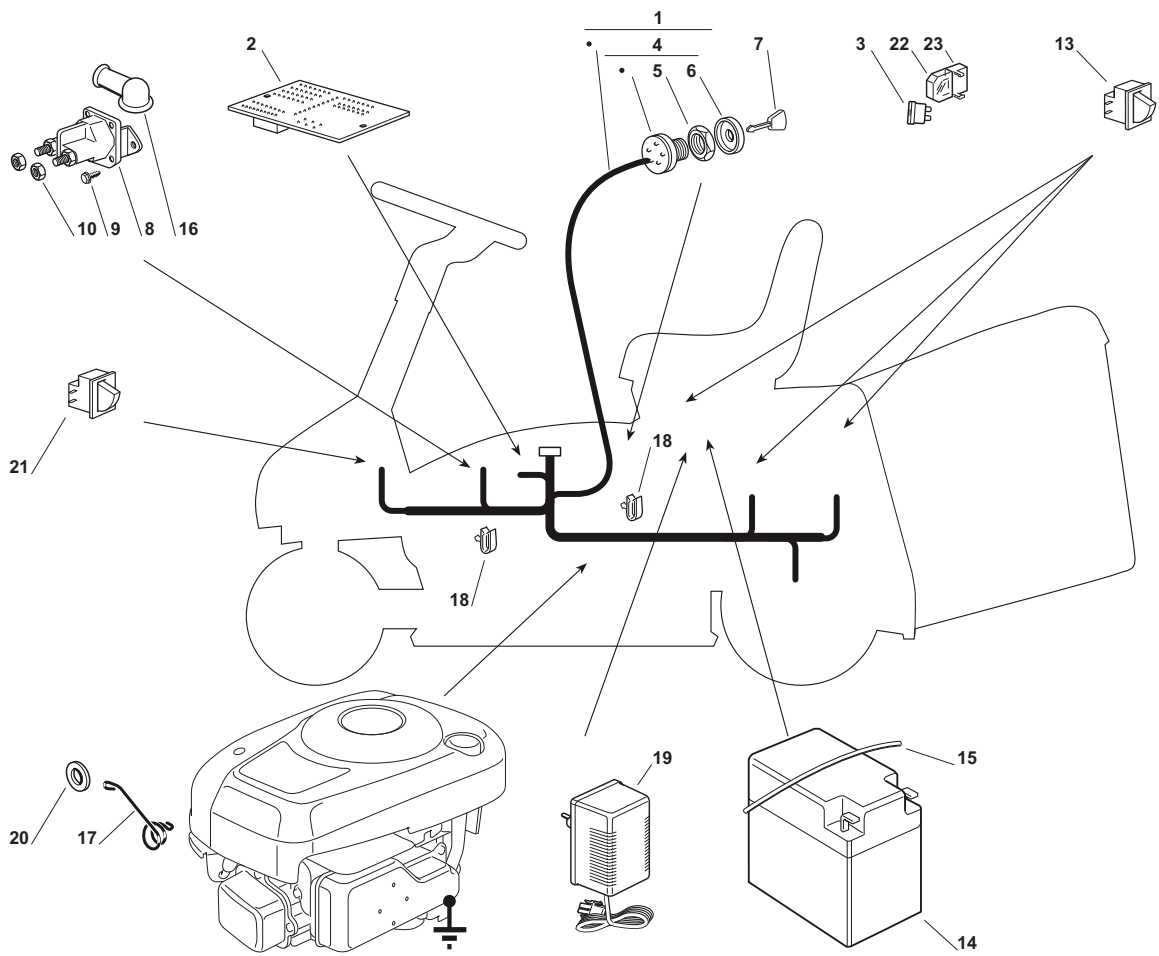
| Blades Engagement - B&S Engine | | | | |
|--------------------------------|-------------|------|-------------------------|-------|
| POSITION | CODE | Q.TY | DESCRIPTION | NOTES |
| 1 | 27487003/0 | 1 | Shoe | |
| 2 | 112791200/1 | 2 | Screw | |
| 3 | 12154510/0 | 2 | Nut | |
| 4 | 27510107/0 | 1 | Pin | |
| 5 | 25670011/0 | 1 | Washer | |
| 6 | 22672152/0 | 1 | Washer | |
| 7 | 12155000/0 | 1 | Nut | |
| 8 | 84317073/1 | 1 | Lever | |
| 9 | 21660100/0 | 2 | Thurst Washer | |
| 10 | 24487998/0 | 1 | Cotter Pin | |
| 12 | 12789020/0 | 1 | Screw | |
| 13 | 12154330/0 | 1 | Nut | |
| 14 | 84317079/0 | 1 | Gearshift | |
| 15 | 25394510/0 | 1 | Knob | |
| 16 | 12792099/0 | 1 | Screw | |
| 17 | 325160039/0 | 1 | Spacer | |
| 18 | 12523040/0 | 1 | Washer | |
| 19 | 12154510/0 | 1 | Nut | |
| 20 | 25430206/1 | 1 | Spring | |
| 21 | 184000255/0 | 1 | Cable | |
| 22 | 125510080/1 | 1 | Pin | |
| 23 | 12521350/0 | 1 | Washer | |
| 24 | 327315131/0 | 1 | Lever | |
| 25 | 12154510/0 | 1 | Nut | |
| 26 | 22397000/0 | 1 | Knob | |
| 27 | 327253000/1 | 1 | Hook | |
| 31 | 84207104/1 | 1 | Cable | |
| 32 | 18399065/1 | 1 | Mechanical Clutch Ass.Y | |
| 33 | 18399066/1 | 1 | Clutch, Lower Part | |
| 34 | 12735460/0 | 1 | Screw | |
| 35 | 27430579/0 | 1 | Spring | |
| 36 | 22450110/0 | 1 | Spring | |



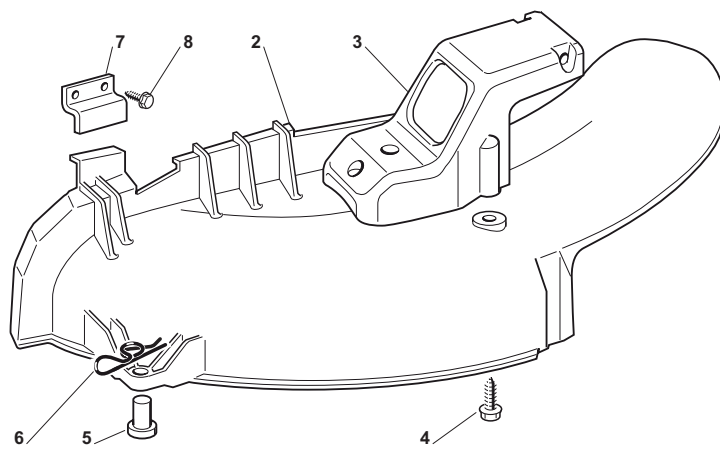
| Cutting Plate | | | | |
|---------------|-------------|------|-----------------------|-------|
| POSITION | CODE | Q.TY | DESCRIPTION | NOTES |
| 1 | 384564095/1 | 1 | Cutting Plate, Black | |
| 1 | 384564104/1 | 1 | Cutting Plate, Red | |
| 1 | 384564117/0 | 1 | Cutting Plate, Yellow | |
| 2 | 25033060/0 | 1 | Water Hose Connection | |
| 3 | 19035000/0 | 1 | O Ring | |
| 4 | 12500030/0 | 1 | Rivet | |
| 5 | 84650103/0 | 1 | Stiffening | |
| 6 | 12815200/0 | 4 | Screw | |
| 8 | 12292102/0 | 4 | Nut | |
| 9 | 27772119/0 | 1 | Clamp | |
| 10 | 12818690/0 | 2 | Screw | |
| 11 | 12293201/0 | 2 | Nut | |
| 12 | 27772133/0 | 1 | Clamp | |
| 13 | 12818690/0 | 2 | Screw | |
| 14 | 12293201/0 | 2 | Nut | |
| 15 | 327772127/2 | 1 | Clamp | |
| 16 | 12818700/0 | 2 | Screw | |
| 17 | 12293201/0 | 2 | Nut | |
| 18 | 27753071/0 | 2 | Angle Bracket | |
| 19 | 12818690/0 | 2 | Screw | |
| 20 | 12293201/0 | 2 | Nut | |
| 21 | 84545063/0 | 1 | Plate | |
| 22 | 12792611/0 | 1 | Screw | |
| 23 | 12155000/0 | 1 | Nut | |
| 26 | 27230200/2 | 1 | Hook | |
| 27 | 12815210/0 | 1 | Screw | |
| 28 | 12154510/0 | 1 | Nut | |
| 29 | 27510097/1 | 1 | Pin | |
| 30 | 24487997/0 | 2 | Cotter Pin | |
| 31 | 27600122/0 | 1 | Guard | |
| 32 | 12728530/0 | 5 | Screw | |
| 33 | 27787045/1 | 1 | Bracket | |
| 34 | 12794110/0 | 2 | Screw | |
| 35 | 12540070/0 | 2 | Washer | |
| 36 | 84109504/0 | 1 | Blade | |
| 37 | 12793102/0 | 2 | Screw | |
| 38 | 12523060/0 | 4 | Washer | |
| 39 | 12155010/0 | 2 | Nut | |
| 40 | 27275000/0 | 1 | Grommet | |
| 41 | 12521330/0 | 1 | Washer | |
| 51 | 27107502/0 | 1 | Conveyor | |
| 52 | 327140056/0 | 1 | Deflector | |
| 53 | 12735402/0 | 5 | Screw | |
| 54 | 27650120/0 | 1 | Stiffening | |
| 55 | 12735410/0 | 2 | Screw | |



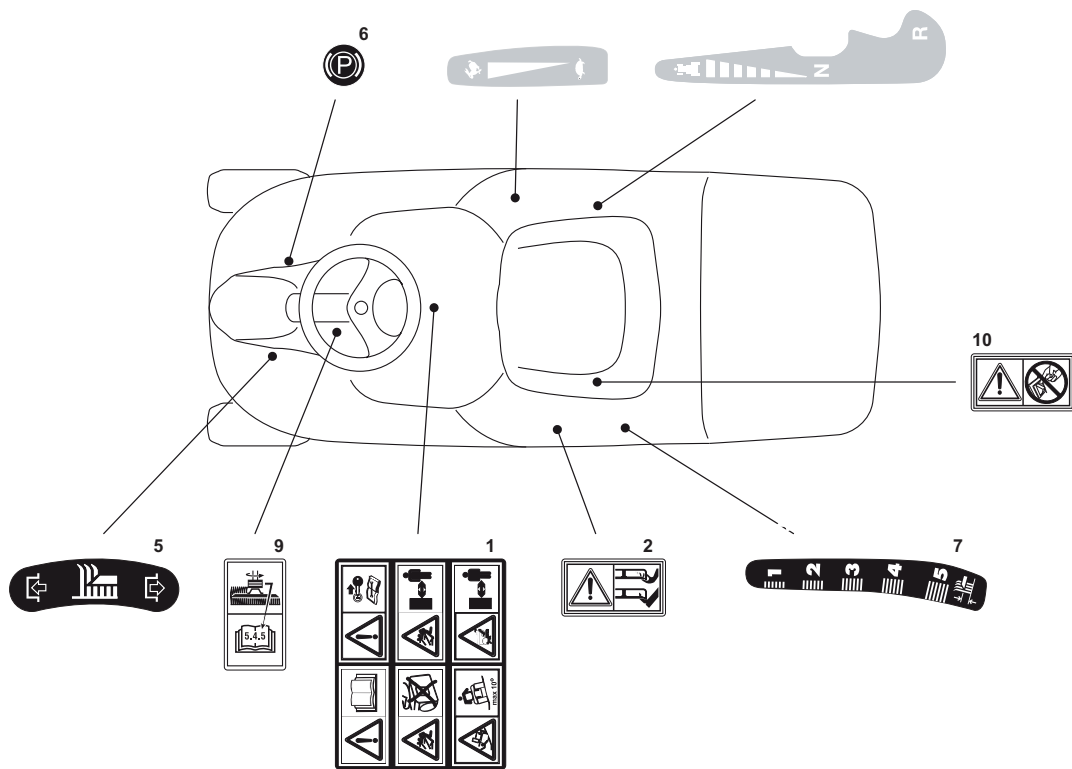
| Grasscatcher | | | | |
|--------------|-------------|------|----------------------|-------|
| POSITION | CODE | Q.TY | DESCRIPTION | NOTES |
| 1 | 84801121/0 | 1 | Front Frame | |
| 2 | 84801119/0 | 1 | Upper Frame | |
| 3 | 327650129/0 | 2 | Stiffening | |
| 4 | 84394051/0 | 1 | Handle | |
| 5 | 184106068/0 | 1 | Grasscatcher | |
| 6 | 12789020/0 | 2 | Screw | |
| 7 | 12154330/0 | 2 | Nut | |
| 8 | 12789020/0 | 4 | Screw | |
| 9 | 12154330/0 | 4 | Nut | |
| 10 | 12789210/0 | 2 | Screw | |
| 11 | 12521331/0 | 2 | Washer | |
| 12 | 12154330/0 | 2 | Nut | |
| 13 | 12674530/0 | 2 | Screw | |
| 14 | 12521331/0 | 2 | Washer | |
| 15 | 12154330/0 | 2 | Nut | |
| 16 | 84180186/0 | 1 | Screws Outfit (6÷15) | |



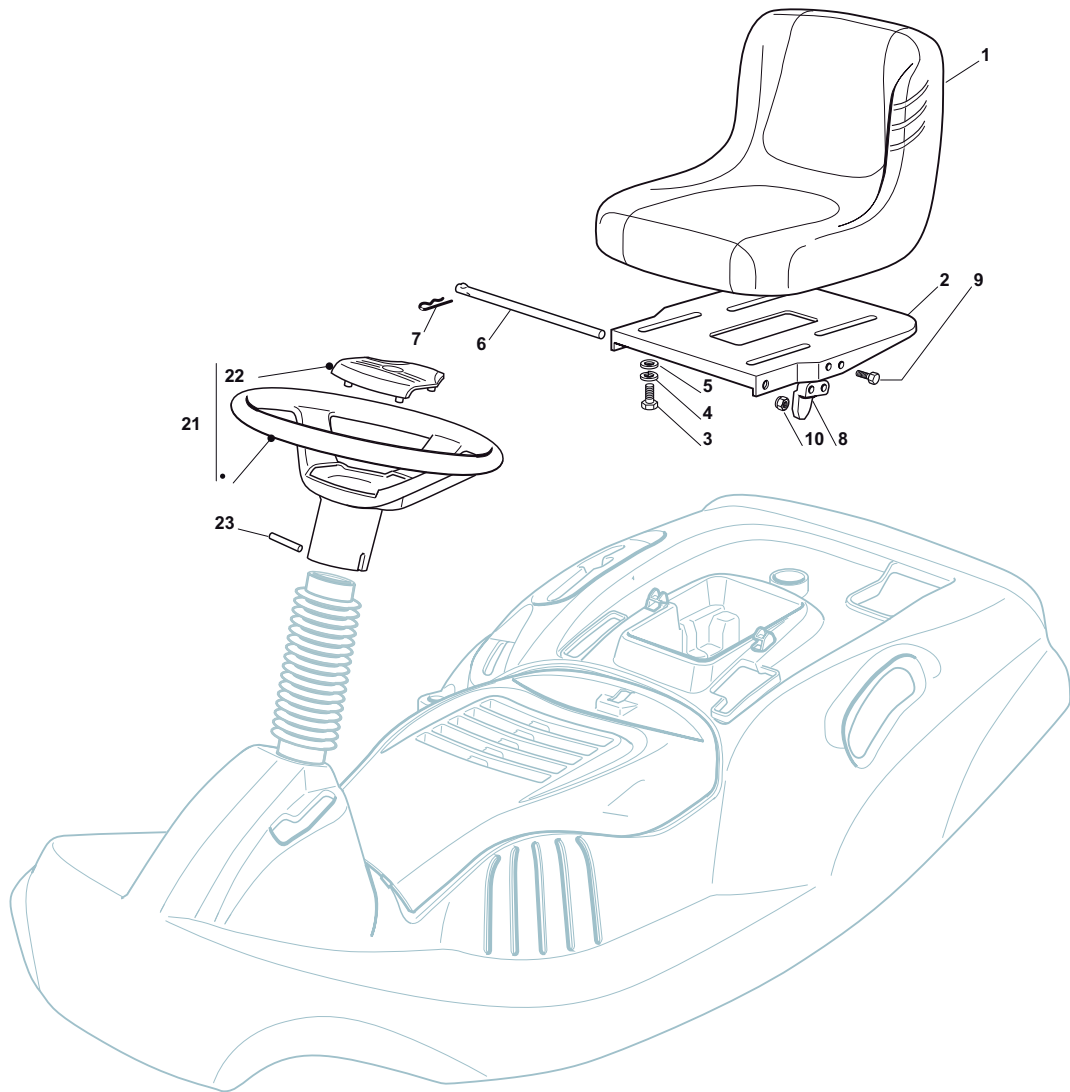
| Electrical Parts | | | | |
|------------------|-------------|------|-------------------------|-------|
| POSITION | CODE | Q.TY | DESCRIPTION | NOTES |
| 1 | 84040123/1 | 1 | Cables | |
| 2 | 27722354/0 | 1 | Electronic Card | |
| 3 | 33340040/0 | 1 | Fuse 10A | |
| 4 | 18450065/1 | 1 | Starting Switch | |
| 5 | 18400861/0 | 1 | Screwed Ring | |
| 6 | 18565351/0 | 1 | Screwed Ring Protection | |
| 7 | 18210016/1 | 1 | Starting Key | |
| 8 | 18736111/0 | 1 | Starter Relay | |
| 9 | 12735110/0 | 2 | Screw | |
| 10 | 12360352/0 | 2 | Nut | |
| 13 | 119410615/0 | 3 | Microswitch | |
| 14 | 18120004/0 | 1 | Battery | |
| 15 | 27430572/0 | 1 | Spring | |
| 16 | 18564861/1 | 1 | Protection | |
| 17 | 27430557/0 | 1 | Spring | |
| 18 | 33320506/0 | 5 | Fairlead | |
| 19 | 82180051/0 | 1 | Battery Charger | |
| 19 | 82180053/0 | 1 | Battery Charger (Uk) | |
| 20 | 12523020/0 | 1 | Washer | |
| 21 | 119410612/1 | 1 | Microswitch | |
| 22 | 33215000/0 | 1 | Cover | |
| 23 | 33500007/0 | 1 | Fuse Carrier | |



| Optionals On Request | | | | |
|----------------------|------------|------|-------------|-------|
| POSITION | CODE | Q.TY | DESCRIPTION | NOTES |
| 2 | 27140052/0 | 1 | Deflector | |
| 3 | 27230201/0 | 1 | Fulcrum | |
| 4 | 12735410/0 | 3 | Screw | |
| 5 | 25510022/0 | 1 | Pin | |
| 6 | 24487998/0 | 1 | Cotter Pin | |
| 7 | 27772139/0 | 1 | Clamp | |
| 8 | 12735110/0 | 2 | Screw | |



| Labels | | | | |
|-----------------|-------------|-------------|--------------------|--------------|
| POSITION | CODE | Q.TY | DESCRIPTION | NOTES |
| 1 | 114357428/1 | 1 | Label | |
| 2 | 114356699/1 | 1 | Label | |
| 5 | 14358418/0 | 1 | Label | |
| 6 | 14358460/0 | 1 | Label | |
| 7 | 14358417/0 | 1 | Label | |
| 9 | 114358654/1 | 1 | Label | |
| 10 | 14360118/0 | 1 | Label | |



| Seat & Steering Wheel | | | | |
|----------------------------------|-------------|-------------|--------------------|--------------|
| POSITION | CODE | Q.TY | DESCRIPTION | NOTES |
| 1 | 25722463/0 | 1 | Seat | |
| 2 | 27546039/1 | 1 | Support | |
| 3 | 12793101/0 | 4 | Screw | |
| 4 | 12583500/0 | 4 | Grower | |
| 5 | 12523060/0 | 4 | Washer | |
| 6 | 27864052/0 | 1 | Pin | |
| 7 | 24487997/0 | 1 | Cotter Pin | |
| 8 | 27063021/1 | 1 | Cam | |
| 9 | 12789100/0 | 2 | Screw | |
| 10 | 12154330/0 | 2 | Nut | |
| 21 | 25961211/0 | 1 | Steering Wheel | |
| 22 | 325580500/0 | 1 | Cap | |
| 23 | 12620305/0 | 1 | Pin | |