



Green Passion

Illustrated Parts List

PG 135 HD

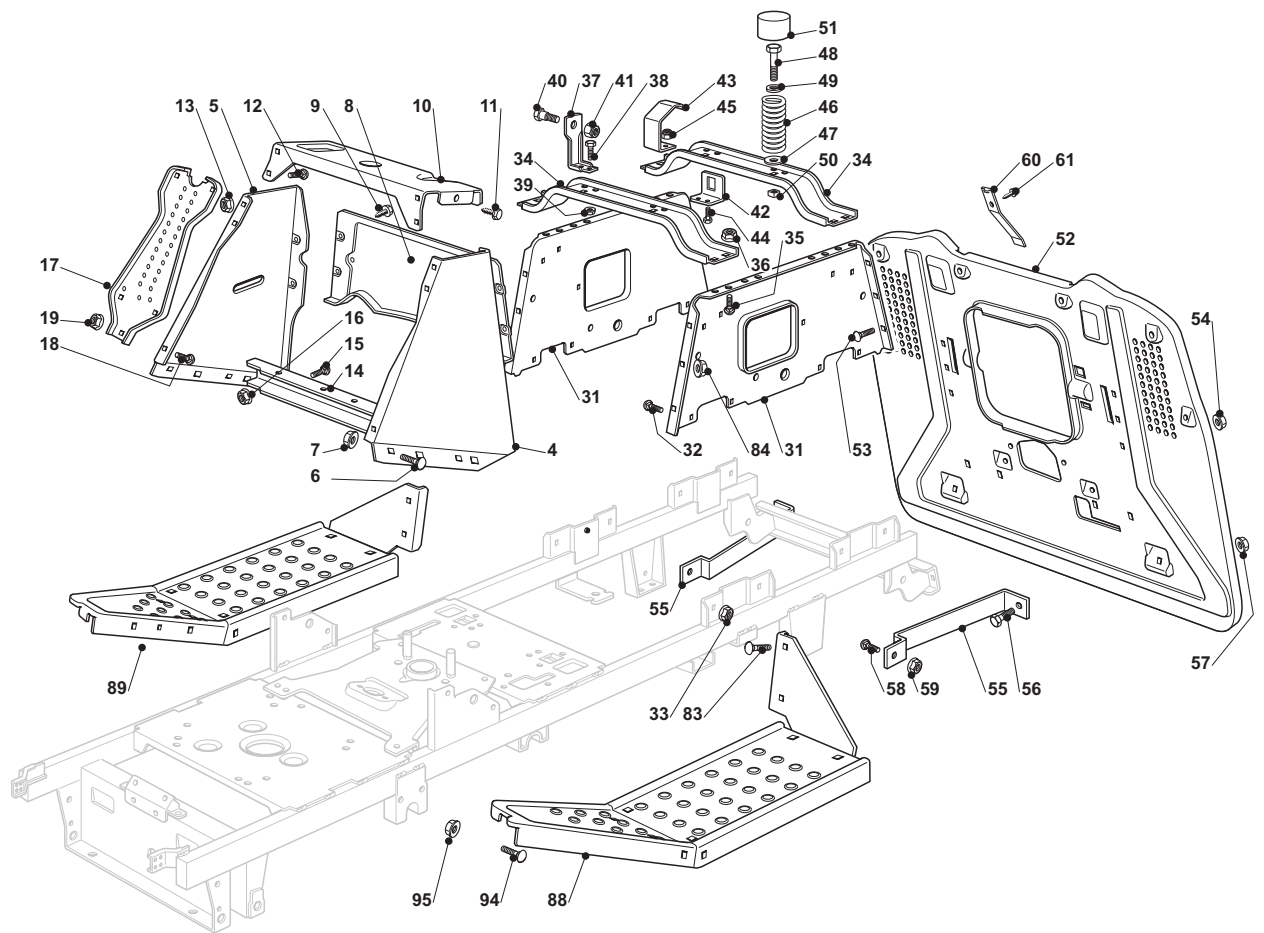
PG 140 HD

- Use GLOBAL GARDEN PRODUCT Genuine Spare Parts specified in the parts list for repair and/or replacement.
- The contents described in the parts list may change due to improvement.
- The drawings of the spare parts are only indicative and might not represent the part in question exactly.
- The indications "right" - "left" - "front" - "rear" refer to the position of the operator when using the machine.
- When placing orders of parts for repair and/or replacement, make sure that the illustrated parts list is the one applying to the machine's year of manufacture, as shown on the identification plate attached to the machine.

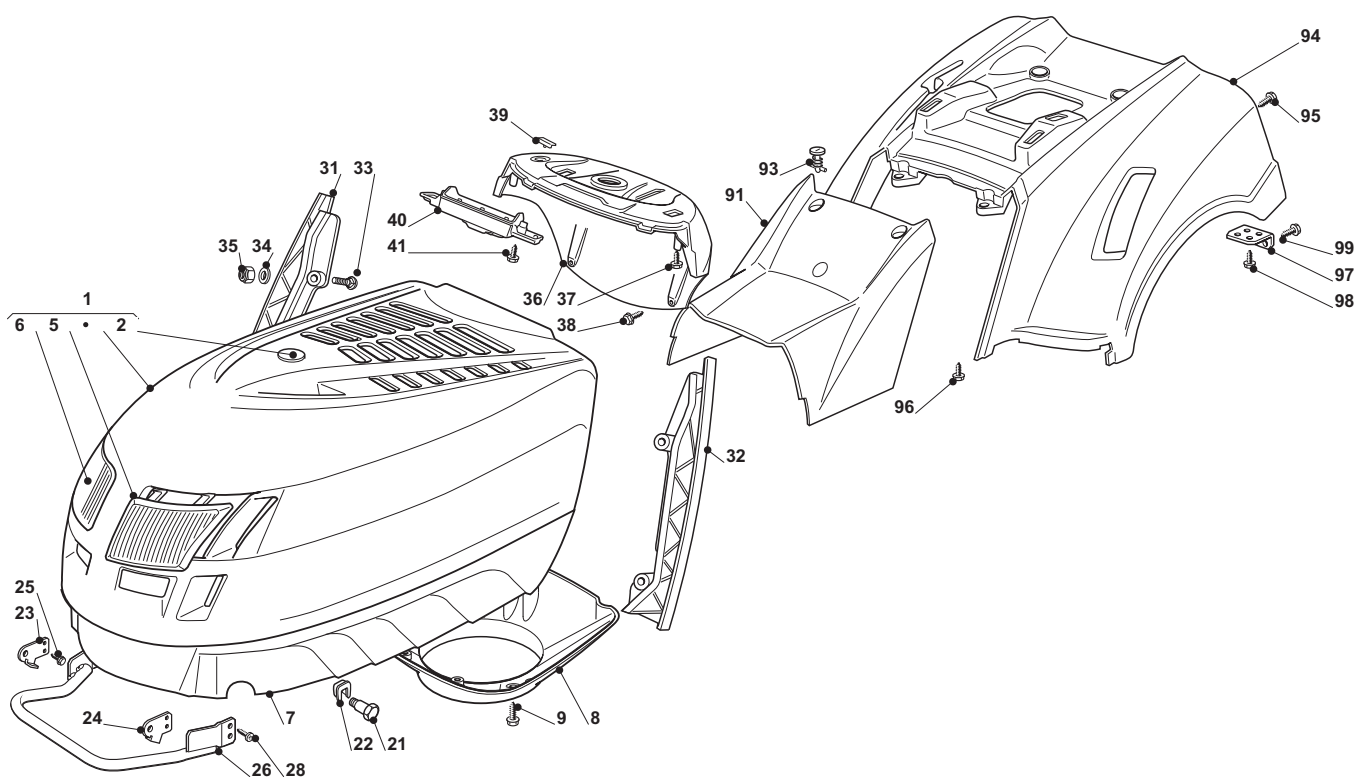
© Copyright 2012 Global Garden Products

All content is subject to copyright by Global Garden Products and may not be reproduced in whole or in part by any means, electronic or otherwise, without prior written approval.

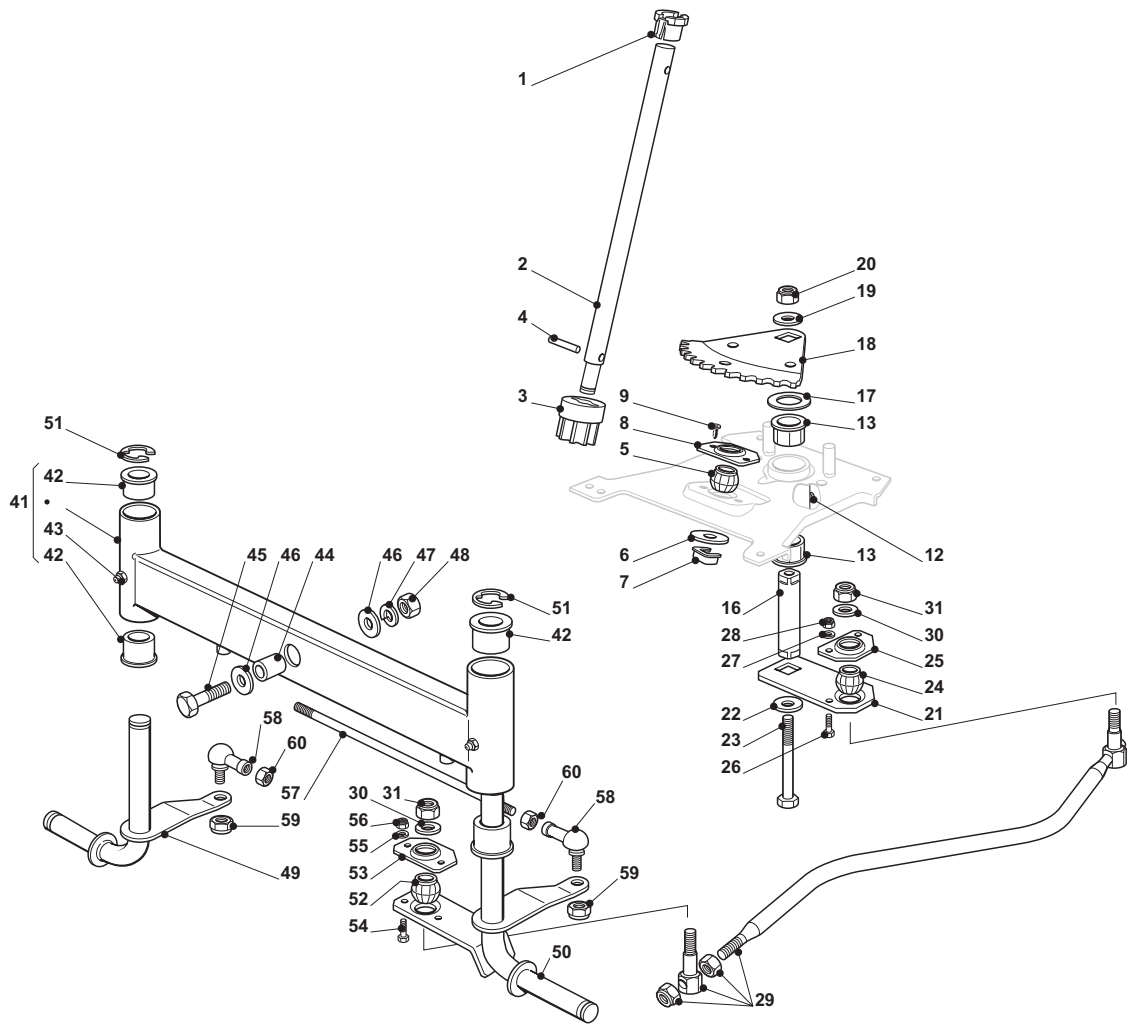
THIS INFORMATION IS NOT INTENDED FOR SALE OR RESALE, AND THIS NOTICE MUST REMAIN ON ALL COPIES.



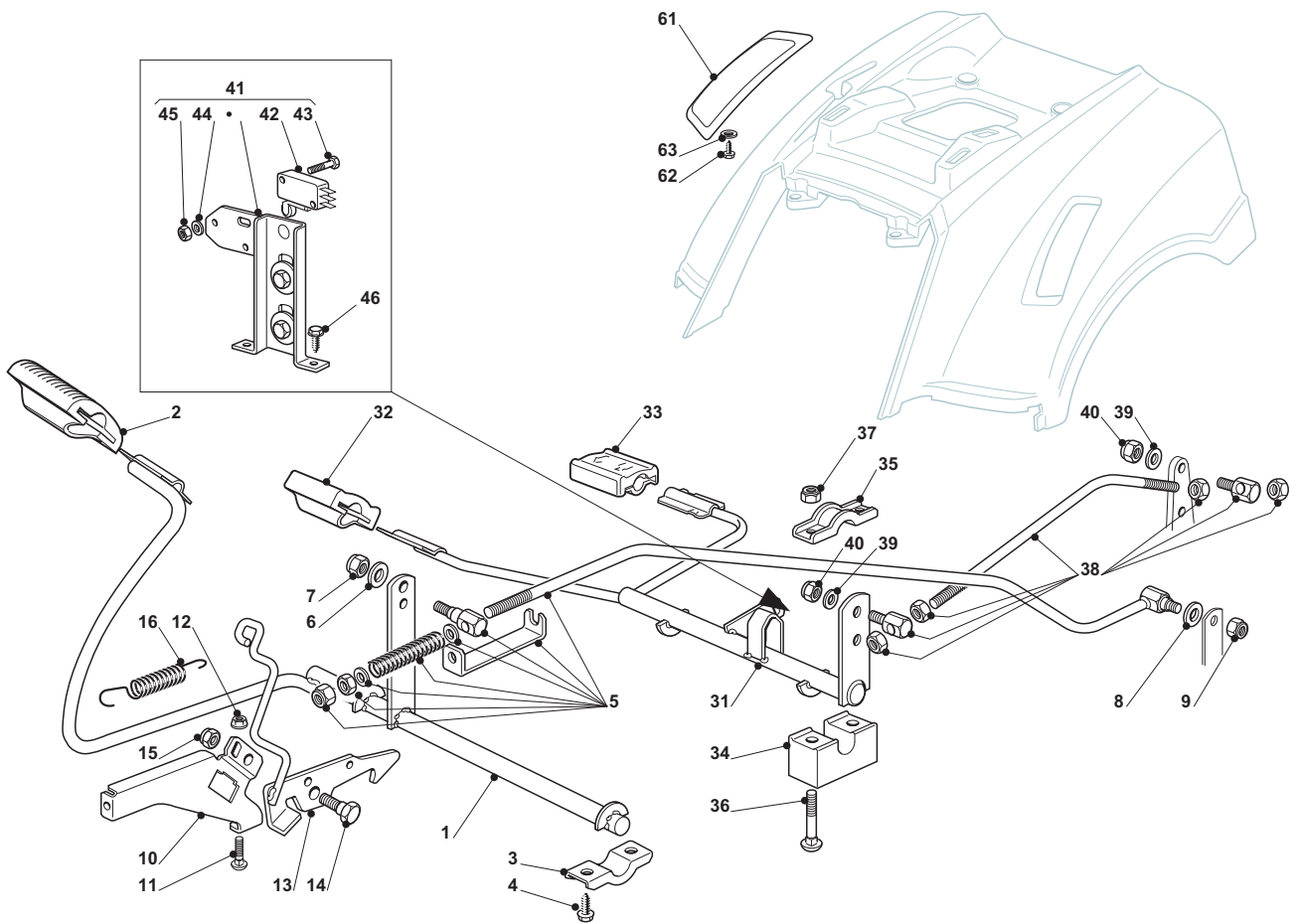
| Chassis | | | | |
|----------|-------------|------|-------------------------|-------|
| POSITION | CODE | Q.TY | DESCRIPTION | NOTES |
| 4 | 325785243/1 | 1 | Left Dashboard Supp. | |
| 5 | 25785245/0 | 1 | Right Dashboard Supp. | |
| 6 | 12818690/0 | 4 | Screw | |
| 7 | 12293201/0 | 4 | Nut | |
| 8 | 382785151/1 | 1 | Rear Dashboard Supp | |
| 9 | 12735110/0 | 4 | Screw | |
| 10 | 25785255/0 | 1 | Central Dashboard Supp | |
| 11 | 12735110/0 | 2 | Screw | |
| 12 | 12815200/0 | 4 | Screw | |
| 13 | 12292102/0 | 4 | Nut | |
| 14 | 25785241/0 | 1 | Support | |
| 15 | 12815200/0 | 2 | Screw | |
| 16 | 12292102/0 | 2 | Nut | |
| 17 | 382785153/1 | 2 | Front Dashboard Supp | |
| 18 | 12815200/0 | 2 | Screw | |
| 19 | 12292102/0 | 2 | Nut | |
| 31 | 325785249/1 | 2 | Seat Support | |
| 32 | 12815200/0 | 8 | Screw | |
| 33 | 12292102/0 | 8 | Nut | |
| 34 | 325785257/1 | 2 | Seat Support | |
| 35 | 12818690/0 | 8 | Screw | |
| 36 | 12293201/0 | 8 | Nut | |
| 37 | 25755039/0 | 2 | Bracket | |
| 38 | 12792611/0 | 4 | Screw | |
| 39 | 12293201/0 | 4 | Nut | |
| 40 | 22524970/2 | 2 | Pin | |
| 41 | 12155010/0 | 2 | Nut | |
| 42 | 25755043/0 | 1 | Bracket | |
| 43 | 25430253/0 | 1 | Spring | |
| 44 | 12789000/0 | 2 | Screw | |
| 45 | 12154330/0 | 2 | Nut | |
| 46 | 125430257/1 | 2 | Spring | |
| 47 | 12523070/0 | 2 | Washer | |
| 48 | 12760515/0 | 2 | Screw | |
| 49 | 22671653/0 | 2 | Washer | |
| 50 | 12360425/0 | 2 | Nut | |
| 51 | 25122000/2 | 2 | Hood | |
| 52 | 382547041/1 | 1 | Plate | |
| 53 | 12792611/0 | 6 | Screw | |
| 54 | 12293201/0 | 6 | Nut | |
| 55 | 25650119/0 | 2 | Plate Stiffening | |
| 56 | 12792611/0 | 2 | Screw | |
| 57 | 12293201/0 | 2 | Nut | |
| 58 | 12818690/0 | 2 | Screw | |
| 59 | 12293201/0 | 2 | Nut | |
| 60 | 27430554/0 | 1 | Spring | |
| 61 | 12735110/0 | 1 | Screw | |
| 83 | 12792611/0 | 4 | Screw | |
| 84 | 12293201/0 | 4 | Nut | |
| 88 | 382510079/0 | 1 | Left Footboard Support | |
| 89 | 382510077/0 | 1 | Right Footboard Support | |
| 94 | 12815200/0 | 4 | Screw | |
| 95 | 12292102/0 | 4 | Nut | |



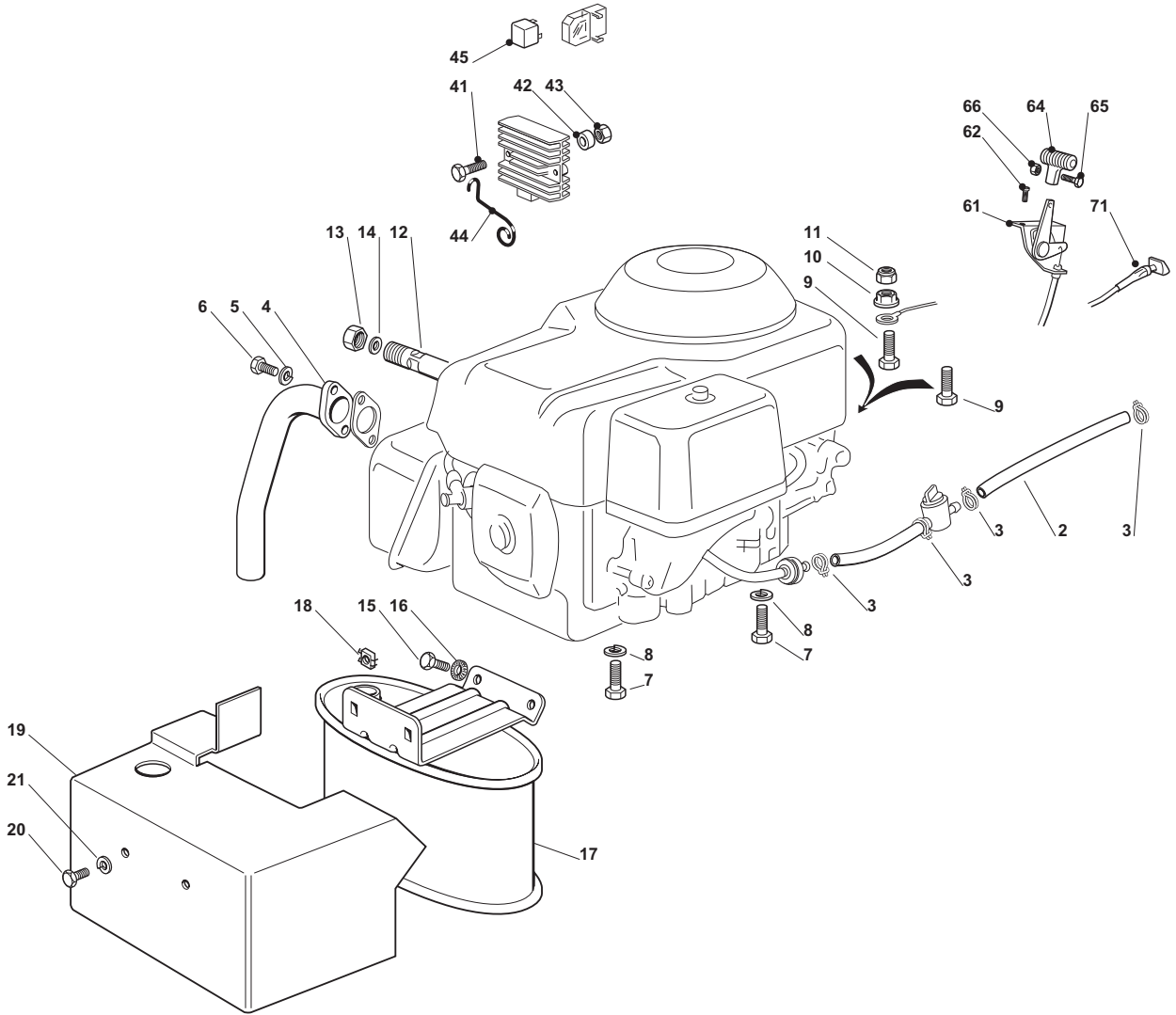
| Body | | | | |
|----------|-------------|------|-----------------------|---|
| POSITION | CODE | Q.TY | DESCRIPTION | NOTES |
| 1 | 82076841/3 | 1 | Upper Engine Hood Red | |
| 2 | 25547025/1 | 1 | Plate Red | |
| 5 | 25410861/0 | 1 | Left Grill | |
| 6 | 25410860/0 | 1 | Right Grill | |
| 7 | 25076808/0 | 1 | Lower Engine Hood | |
| 8 | 25108024/0 | 1 | Conveyor (Honda) | only for model with Honda engine |
| 8 | 25108028/0 | 1 | Conveyor | for models with engine GGP, B&S, Kohler |
| 9 | 12728686/0 | 3 | Screw | |
| 21 | 25510023/1 | 2 | Pin | |
| 22 | 12436050/0 | 2 | Plate | |
| 23 | 325547089/1 | 1 | Right Plate | |
| 24 | 325547091/1 | 1 | Left Plate | |
| 25 | 12731580/0 | 4 | Screw | |
| 26 | 82869033/0 | 1 | Muffler Protection | |
| 28 | 12734995/0 | 4 | Screw | |
| 31 | 25599012/0 | 1 | Right Dashboard Supp. | |
| 32 | 25599013/0 | 1 | Left Dashboard Supp. | |
| 33 | 12815221/0 | 4 | Screw | |
| 34 | 12521330/0 | 4 | Washer | |
| 35 | 12154510/0 | 4 | Nut | |
| 36 | 325120188/2 | 1 | Dashboard | |
| 37 | 12728440/0 | 2 | Screw | |
| 38 | 12735402/0 | 2 | Screw | |
| 39 | 25260000/0 | 2 | Grommet | |
| 40 | 25600074/0 | 1 | Card Protection | |
| 41 | 12735402/0 | 2 | Screw | |
| 91 | 325110363/0 | 1 | Cover, Red | |
| 93 | 125580020/2 | 2 | Pivot | |
| 94 | 25110322/0 | 1 | Wheels Cover, Red | |
| 95 | 12735402/0 | 4 | Screw | |
| 96 | 12735402/0 | 2 | Screw | |
| 97 | 25755041/0 | 2 | Bracket | |
| 98 | 12728686/0 | 4 | Screw | |
| 99 | 12735110/0 | 2 | Screw | |



| Steering | | | | |
|----------|-------------|------|------------------------------------|-------|
| POSITION | CODE | Q.TY | DESCRIPTION | NOTES |
| 1 | 25038004/0 | 1 | Bush | |
| 2 | 125520006/1 | 1 | Steering Column | |
| 3 | 27570050/0 | 1 | Pinion | |
| 4 | 12622650/0 | 1 | Pin | |
| 5 | 25743000/0 | 1 | Joint | |
| 6 | 12521370/0 | 1 | Washer | |
| 7 | 12436030/0 | 1 | Plate | |
| 8 | 325785213/1 | 1 | Support | |
| 9 | 12729601/1 | 2 | Screw | |
| 12 | 12379511/0 | 1 | Grease Dispenser | |
| 13 | 25040624/0 | 2 | Bush | |
| 16 | 25510092/0 | 1 | Pin | |
| 17 | 25670019/0 | 1 | Washer | |
| 18 | 25735513/0 | 1 | Steering Shaft | |
| 19 | 12523080/0 | 1 | Washer | |
| 20 | 12155020/0 | 1 | Nut | |
| 21 | 25318205/0 | 1 | Lever | |
| 22 | 12523080/0 | 1 | Washer | |
| 23 | 12794985/0 | 1 | Screw | |
| 24 | 25743000/0 | 1 | Joint | |
| 25 | 325785213/1 | 1 | Support | |
| 26 | 12791213/1 | 2 | Screw | |
| 27 | 12521330/0 | 2 | Washer | |
| 28 | 12154510/0 | 2 | Nut | |
| 29 | 382000539/1 | 1 | Steering Rod | |
| 30 | 12523070/0 | 2 | Washer | |
| 31 | 12155010/0 | 2 | Nut | |
| 41 | 382034024/1 | 1 | Equalizer With Bush And Lubricator | |
| 42 | 25034002/1 | 4 | Bush | |
| 43 | 12379511/0 | 2 | Grease Dispenser | |
| 44 | 25160016/0 | 1 | Spacer | |
| 45 | 12692695/0 | 1 | Screw | |
| 46 | 12523100/0 | 2 | Washer | |
| 47 | 12587100/0 | 1 | Grower | |
| 48 | 12295300/0 | 1 | Nut | |
| 49 | 82230363/0 | 1 | Right Stub Axle | |
| 50 | 82230365/0 | 1 | Left Stub Axle | |
| 51 | 12001000/0 | 2 | Snap Ring | |
| 52 | 25743000/0 | 1 | Joint | |
| 53 | 325785213/1 | 1 | Support | |
| 54 | 12791213/1 | 2 | Screw | |
| 55 | 12521330/0 | 2 | Washer | |
| 56 | 12154510/0 | 2 | Nut | |
| 57 | 125840023/0 | 1 | Tie Rod | |
| 58 | 122746609/0 | 2 | Joint | |
| 59 | 12156602/0 | 2 | Nut | |
| 60 | 112295201/0 | 2 | Nut | |

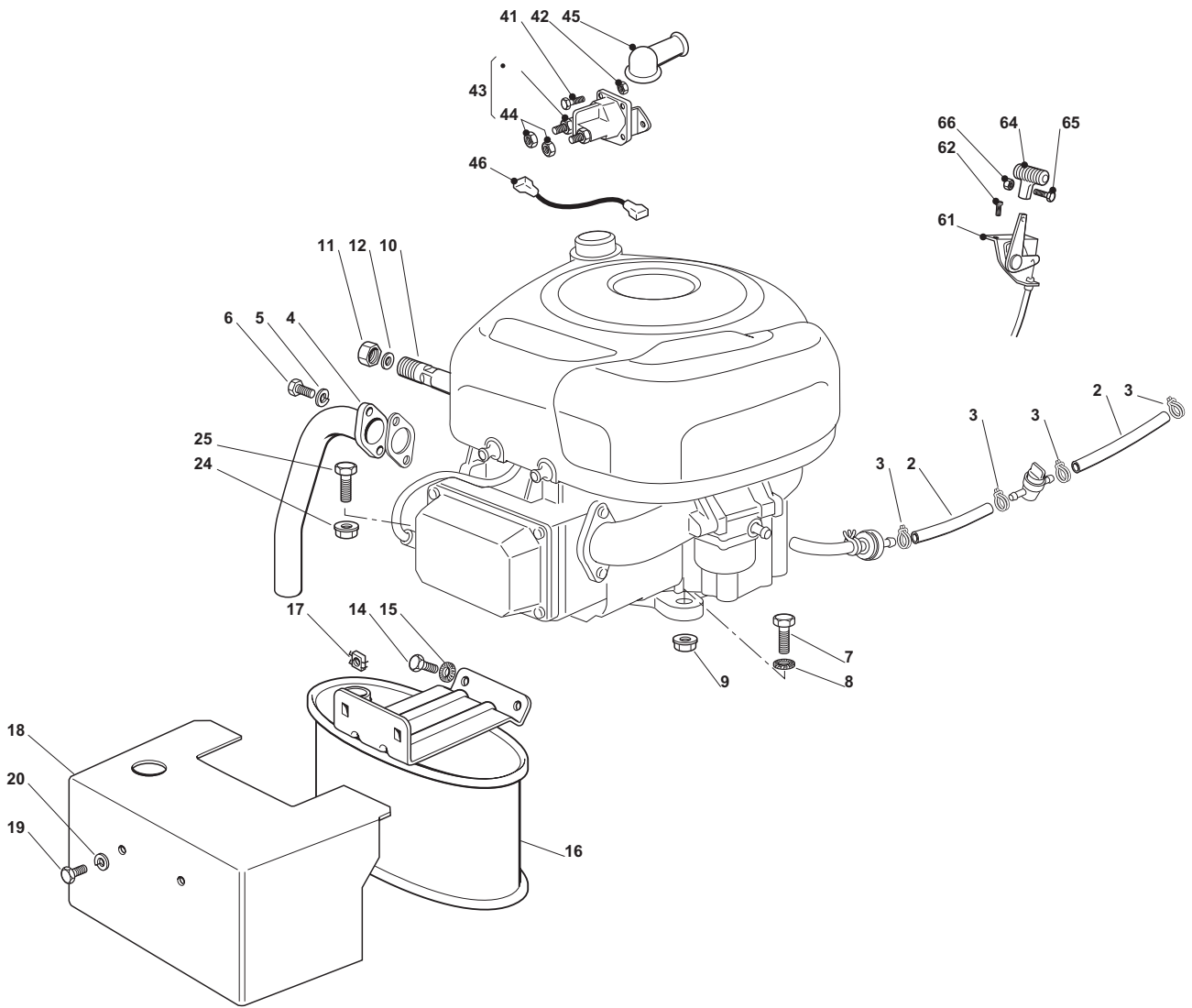


| Brake And Gearbox Controls | | | | |
|----------------------------|-------------|------|-------------------|-------|
| POSITION | CODE | Q.TY | DESCRIPTION | NOTES |
| 1 | 82500029/1 | 1 | Pedal | |
| 2 | 325110416/0 | 1 | Clamp Cover | |
| 3 | 27546015/1 | 2 | Plate | |
| 4 | 12729601/1 | 4 | Screw | |
| 5 | 382000542/1 | 1 | Rod (Tuff Torq) | |
| 6 | 12521350/0 | 1 | Washer | |
| 7 | 12155000/0 | 1 | Nut | |
| 8 | 12521350/0 | 1 | Washer | |
| 9 | 12155000/0 | 1 | Nut | |
| 10 | 25785261/0 | 1 | Support | |
| 11 | 12815200/0 | 2 | Screw | |
| 12 | 12292102/0 | 2 | Nut | |
| 13 | 82000531/0 | 1 | Rod | |
| 14 | 22524970/2 | 1 | Pin | |
| 15 | 12155000/0 | 1 | Nut | |
| 16 | 25430213/0 | 1 | Spring | |
| 31 | 382000605/0 | 1 | Drive Pedal | |
| 32 | 325110417/0 | 1 | Clamp Cover Front | |
| 33 | 325110418/0 | 1 | Clamp Cover Rear | |
| 34 | 25785185/0 | 2 | Support | |
| 35 | 27546015/1 | 2 | Plate | |
| 36 | 12815245/0 | 4 | Screw | |
| 37 | 12154510/0 | 4 | Nut | |
| 38 | 82000543/0 | 1 | Rod | |
| 39 | 12523040/0 | 2 | Washer | |
| 40 | 12154510/0 | 2 | Nut | |
| 41 | 382394853/0 | 1 | Switch Ass.Y | |
| 42 | 19410609/0 | 1 | Microswitch | |
| 43 | 12735602/0 | 2 | Screw | |
| 44 | 12581100/0 | 2 | Grower | |
| 45 | 12290791/0 | 2 | Nut | |
| 46 | 12735110/0 | 2 | Screw | |
| 61 | 25207171/0 | 1 | Cover (Hydro) | |
| 62 | 12735402/0 | 2 | Screw | |
| 63 | 12523050/0 | 4 | Washer | |

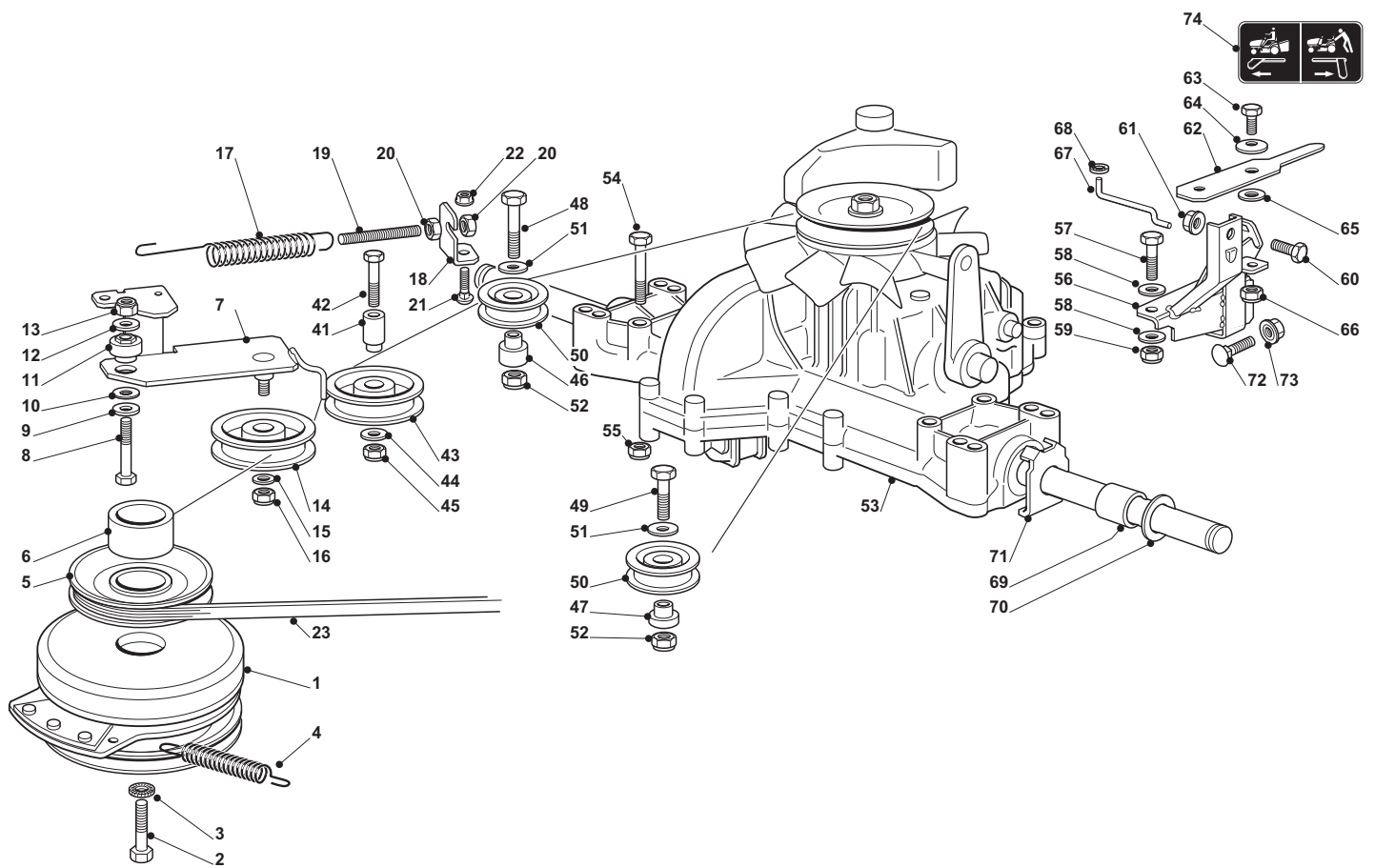


Engine - Honda GXV 390

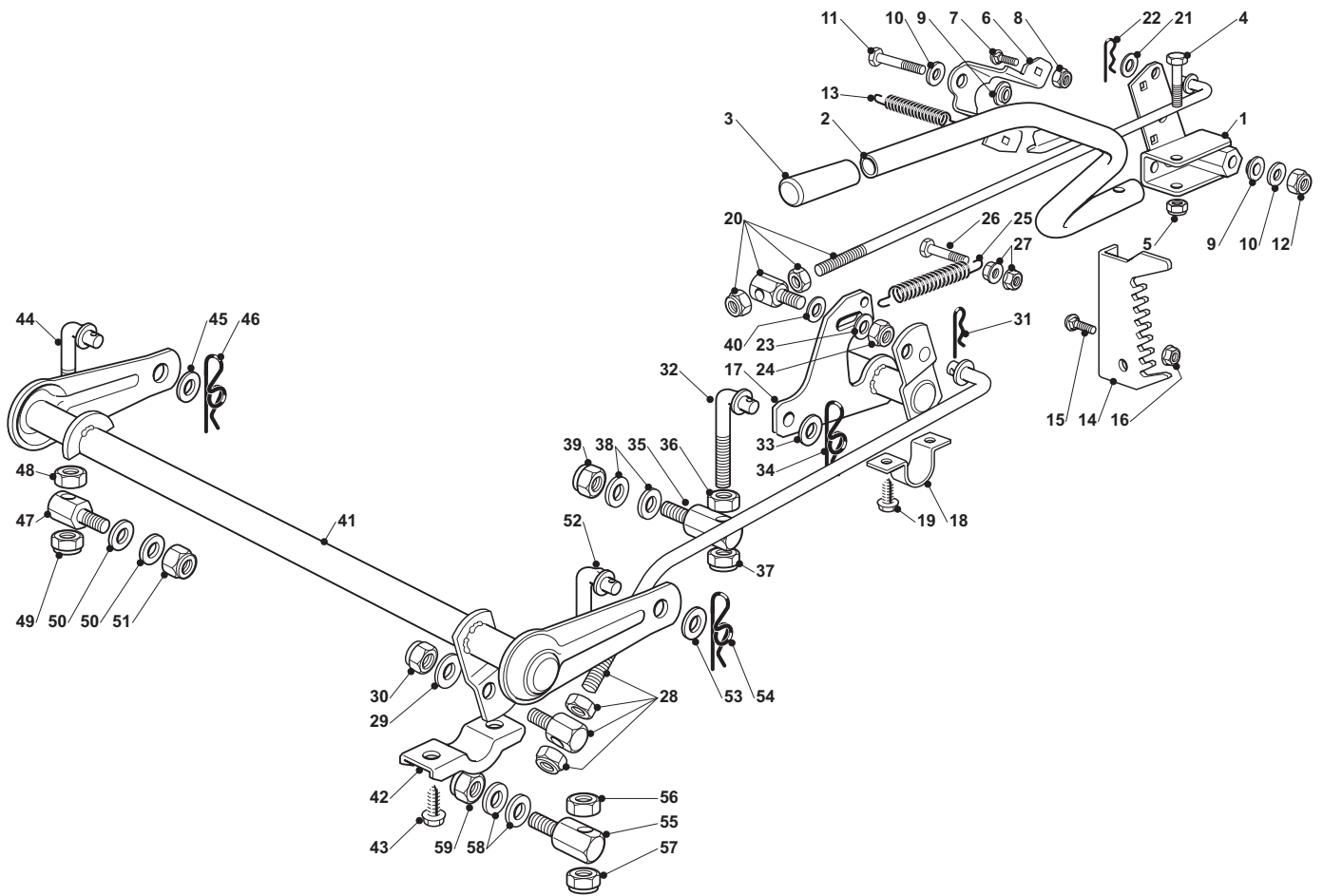
| POSITION | CODE | Q.TY | DESCRIPTION | NOTES |
|-----------------|-------------|-------------|---------------------------|--------------|
| 2 | 25869057/0 | 1 | Connecting Tube (1000 Mm) | |
| 3 | 18375051/1 | 4 | Fair Led | |
| 4 | 18738204/0 | 1 | Exhaust Tube | |
| 5 | 12583500/0 | 2 | Grower | |
| 6 | 12793102/0 | 2 | Screw | |
| 7 | 12735802/0 | 2 | Screw | |
| 8 | 12583500/0 | 2 | Grower | |
| 9 | 12691100/0 | 2 | Screw | |
| 10 | 12154210/0 | 2 | Nut | |
| 11 | 12155000/0 | 1 | Nut | |
| 12 | 27598061/1 | 1 | Oil Discharge Extension | |
| 13 | 18737849/0 | 1 | Oil Cap | |
| 14 | 18401001/1 | 1 | Oil Seal | |
| 15 | 12792611/0 | 2 | Screw | |
| 16 | 12540260/0 | 2 | Washer | |
| 17 | 182750010/0 | 1 | Muffler | |
| 18 | 12360425/0 | 2 | Nut (Mech.) | |
| 19 | 82598003/1 | 1 | Guard | |
| 20 | 125943012/0 | 2 | Screw | |
| 21 | 12583500/0 | 2 | Grower | |
| 41 | 12815221/0 | 2 | Screw | |
| 42 | 22170950/0 | 2 | Spacer | |
| 43 | 12292102/0 | 2 | Nut | |
| 44 | 27430561/0 | 1 | Spring | |
| 45 | 33567000/0 | 1 | Relay | |
| 61 | 82000200/1 | 1 | Accelerator | |
| 62 | 12788512/0 | 2 | Screw | |
| 64 | 25394501/0 | 1 | Handle | |
| 65 | 12726388/0 | 1 | Screw | |
| 66 | 12290800/0 | 1 | Nut | |
| 71 | 125090007/0 | 1 | Choke Control | |



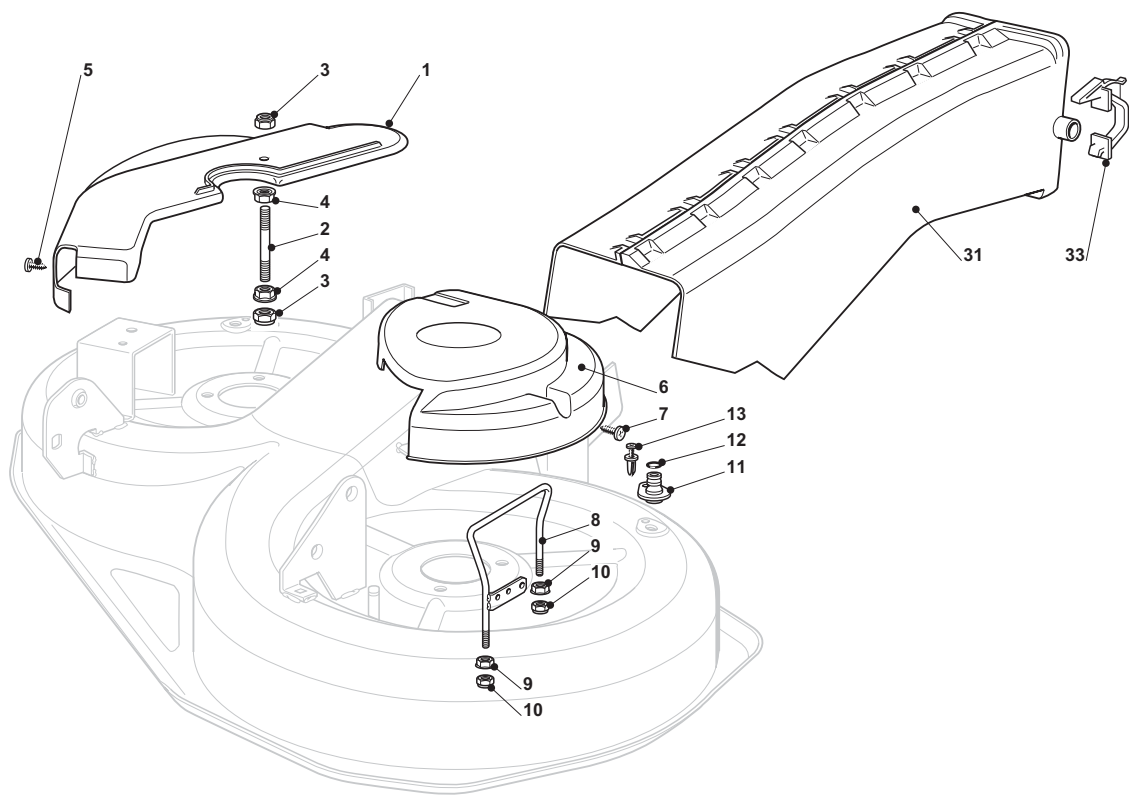
| Engine - B&S 11.5 - 12.5 - 13.5 HP | | | | |
|------------------------------------|-------------|------|---------------------------|-------|
| POSITION | CODE | Q.TY | DESCRIPTION | NOTES |
| 2 | 25869057/0 | 1 | Connecting Tube (1000 Mm) | |
| 3 | 18375051/1 | 4 | Fair Led | |
| 4 | 18738224/0 | 1 | Exhaust Tube | |
| 5 | 12583500/0 | 2 | Grower | |
| 6 | 12735530/0 | 2 | Screw | |
| 7 | 12691115/0 | 1 | Screw | |
| 8 | 12540260/0 | 1 | Washer | |
| 9 | 12154210/0 | 1 | Nut | |
| 10 | 25598050/0 | 1 | Oil Discharge Extension | |
| 11 | 18737849/0 | 1 | Oil Cap | |
| 12 | 18401001/1 | 1 | Oil Seal | |
| 14 | 12793102/0 | 2 | Screw | |
| 15 | 12540260/0 | 2 | Washer | |
| 16 | 182750010/0 | 1 | Muffler | |
| 17 | 12360425/0 | 2 | Nut (Mech.) | |
| 18 | 82598009/2 | 1 | Guard | |
| 19 | 12792611/0 | 2 | Screw | |
| 20 | 12583500/0 | 2 | Grower | |
| 24 | 12154210/0 | 3 | Nut | |
| 25 | 12691100/0 | 3 | Screw | |
| 41 | 12791213/1 | 2 | Screw | |
| 42 | 12292102/0 | 2 | Nut | |
| 43 | 18736110/0 | 1 | Starter Relay | |
| 44 | 12360352/0 | 2 | Nut | |
| 45 | 18564864/1 | 1 | Protection | |
| 46 | 25065017/0 | 1 | Cable | |
| 61 | 82000200/1 | 1 | Accelerator | |
| 62 | 125943012/0 | 2 | Screw | |
| 64 | 25394501/0 | 1 | Handle | |
| 65 | 12726388/0 | 1 | Screw | |
| 66 | 12290800/0 | 1 | Nut | |



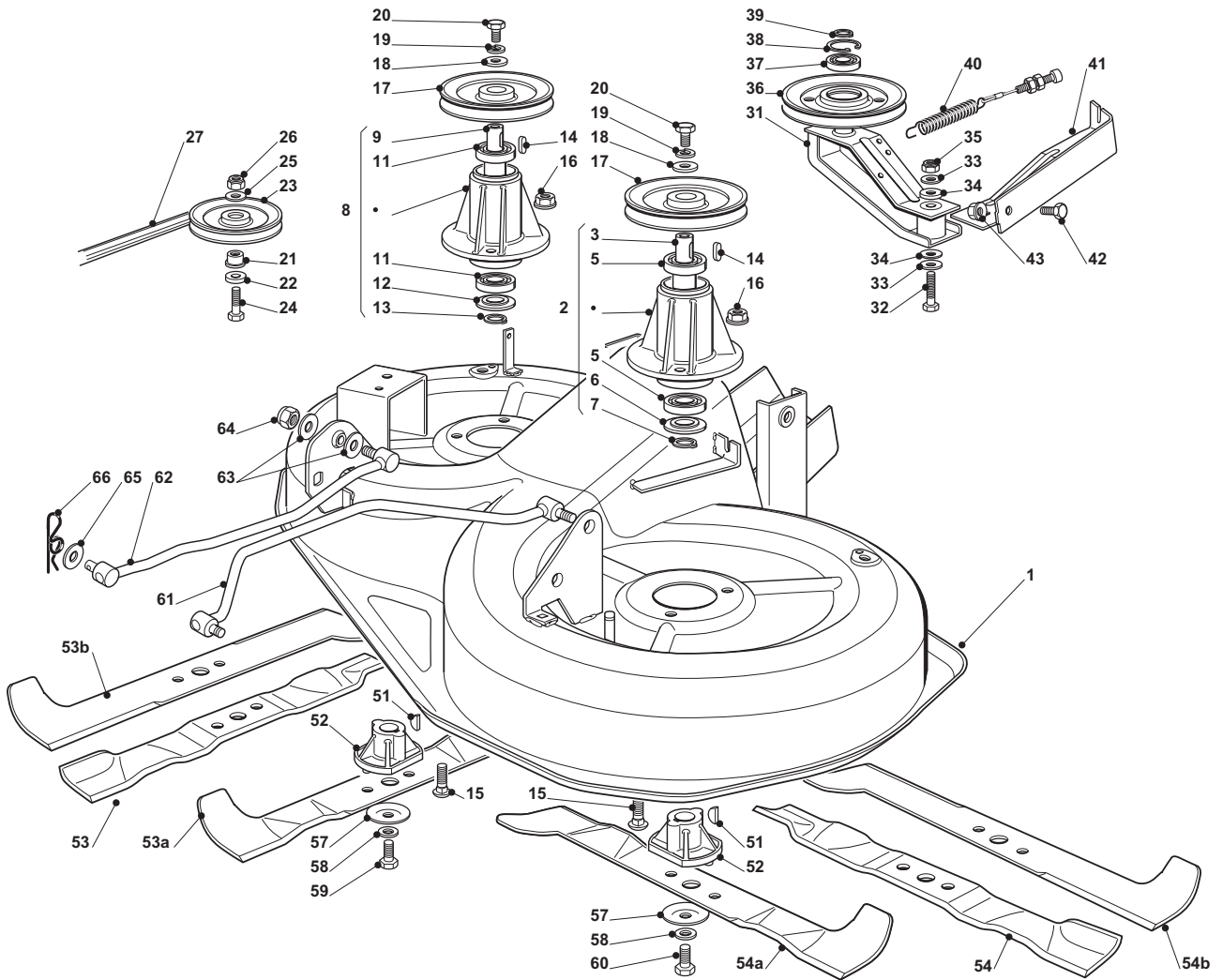
| Transmission | | | | |
|--------------|-------------|------|----------------|----------------|
| POSITION | CODE | Q.TY | DESCRIPTION | NOTES |
| 1 | 118399063/0 | 1 | Clutc | |
| 2 | 12737320/0 | 1 | Screw | |
| 3 | 12543000/0 | 1 | Washer | |
| 4 | 122430216/1 | 1 | Spring | |
| 5 | 25601566/0 | 1 | Pulley | |
| 6 | 25160021/0 | 1 | Spacer | |
| 7 | 82318217/0 | 1 | Lever | |
| 8 | 12691115/0 | 1 | Screw | |
| 9 | 12523060/0 | 1 | Washer | |
| 10 | 27670055/0 | 1 | Washer | |
| 11 | 25510087/0 | 1 | Pin | |
| 12 | 12523060/0 | 1 | Washer | |
| 13 | 12155000/0 | 1 | Nut | |
| 14 | 25601554/0 | 1 | Pulley | |
| 15 | 12523060/0 | 1 | Washer | |
| 16 | 12155000/0 | 1 | Nut | |
| 17 | 25430260/0 | 1 | Spring | |
| 18 | 25755049/0 | 1 | Bracket | |
| 19 | 25840005/0 | 1 | Tie Rod | |
| 20 | 12293200/0 | 2 | Nut | |
| 21 | 12818690/0 | 1 | Screw | |
| 22 | 12293201/0 | 1 | Nut | |
| 23 | 35062001/0 | 1 | Belt | |
| 41 | 125510100/0 | 1 | Pin | |
| 42 | 12691800/0 | 1 | Screw | |
| 43 | 25601555/0 | 1 | Pulley | |
| 44 | 12523060/0 | 1 | Washer | |
| 45 | 12155000/0 | 1 | Nut | |
| 46 | 125160024/2 | 1 | Right Spacer | |
| 47 | 125160030/2 | 1 | Left Spacer | |
| 48 | 12691400/0 | 1 | Screw | |
| 49 | 12691115/0 | 1 | Screw | |
| 50 | 125601588/0 | 2 | Pulley | |
| 51 | 22671653/0 | 2 | Washer | |
| 52 | 12155000/0 | 2 | Nut | |
| 53 | 18400960/0 | 1 | Rear Axle | Tuff Torq K46S |
| 54 | 12691800/0 | 4 | Screw | |
| 55 | 12154210/0 | 4 | Nut | |
| 56 | 82785149/0 | 1 | Support | |
| 57 | 12691200/0 | 1 | Screw | |
| 58 | 12521350/0 | 2 | Washer | |
| 59 | 12155000/0 | 1 | Nut | |
| 60 | 12792611/0 | 1 | Screw | |
| 61 | 12293201/0 | 1 | Nut | |
| 62 | 25318157/0 | 1 | Lever | |
| 63 | 12793102/0 | 1 | Screw | |
| 64 | 12369500/0 | 1 | Elastic Washer | |
| 65 | 25670011/0 | 1 | Washer | |
| 66 | 12155000/0 | 1 | Nut | |
| 67 | 25033033/0 | 1 | Rod | |
| 68 | 12604896/0 | 1 | Crown Fastener | |
| 69 | 25160031/0 | 2 | Spacer | |
| 70 | 12521410/0 | 2-4 | Washer | |
| 71 | 325670025/0 | 2 | Washer | |
| 72 | 12792611/0 | 1 | Screw | |
| 73 | 12293201/0 | 1 | Nut | |
| 74 | 14361451/0 | 1 | Label | |



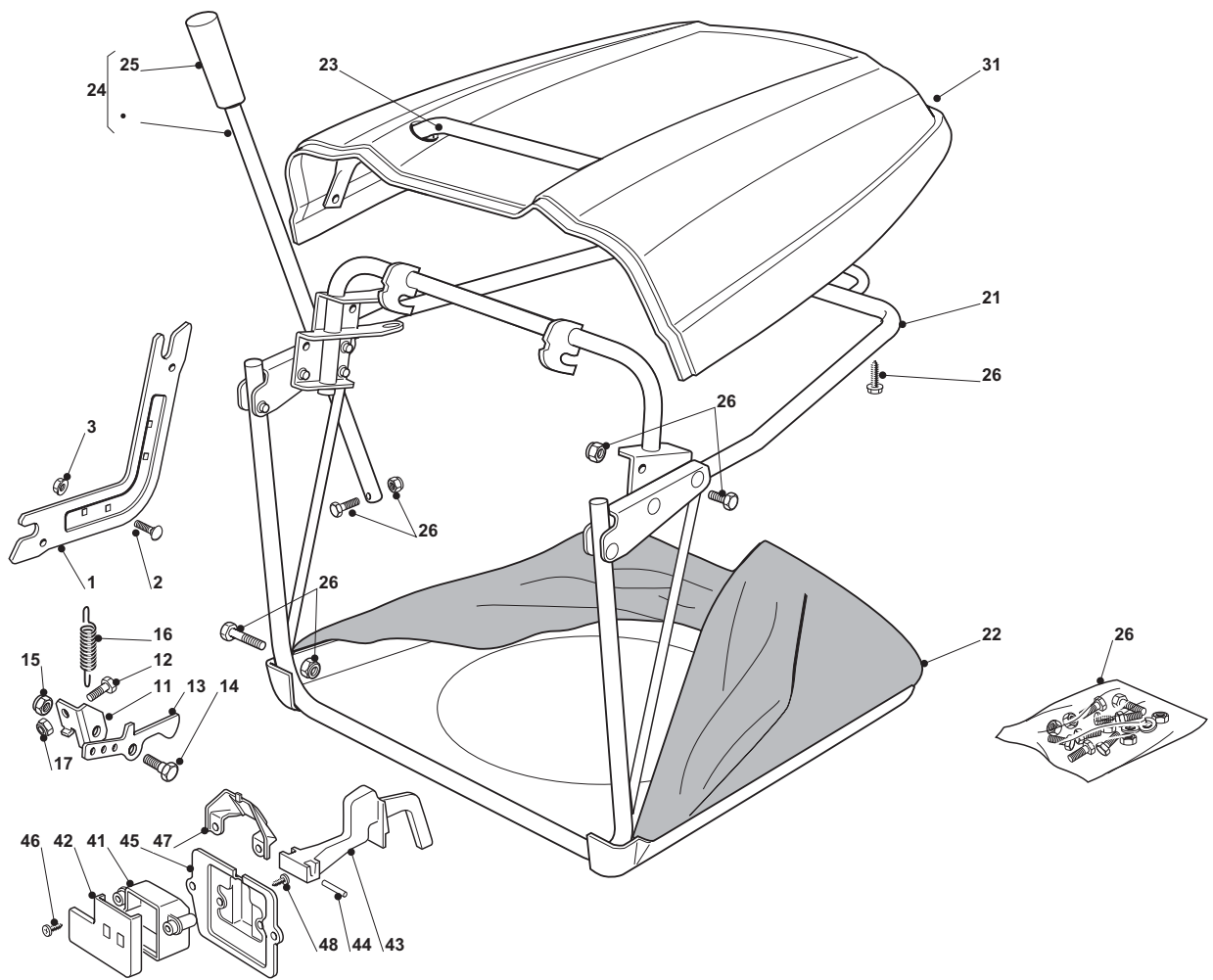
| Cutting Plate Lifting | | | | |
|-----------------------|-------------|------|----------------|-------|
| POSITION | CODE | Q.TY | DESCRIPTION | NOTES |
| 1 | 82774249/0 | 1 | Clamp | |
| 2 | 382318219/1 | 1 | Lever | |
| 3 | 25394508/0 | 1 | Handle | |
| 4 | 12674700/0 | 1 | Screw | |
| 5 | 12154510/0 | 1 | Nut | |
| 6 | 25650113/0 | 1 | Plate | |
| 7 | 12818690/0 | 2 | Screw | |
| 8 | 12155000/0 | 2 | Nut | |
| 9 | 22041980/0 | 2 | Bush | |
| 10 | 12523060/0 | 2 | Washer | |
| 11 | 12691600/0 | 1 | Screw | |
| 12 | 12155000/0 | 1 | Nut | |
| 13 | 25430259/0 | 1 | Spring | |
| 14 | 25735511/0 | 1 | Sector | |
| 15 | 12818690/0 | 2 | Screw | |
| 16 | 12293201/0 | 2 | Nut | |
| 17 | 82000387/0 | 1 | Axle | |
| 18 | 325547041/1 | 2 | Plate | |
| 19 | 12731580/0 | 4 | Screw | |
| 20 | 382000618/0 | 1 | Rod | |
| 21 | 25670011/0 | 1 | Washer | |
| 22 | 24487998/0 | 1 | Cotter Pin | |
| 23 | 12523040/0 | 1 | Washer | |
| 24 | 12154210/0 | 1 | Nut | |
| 25 | 22446402/0 | 1 | Spring | |
| 26 | 12792410/0 | 1 | Screw | |
| 27 | 12292102/0 | 2 | Nut | |
| 28 | 82000537/0 | 1 | Connecting Rod | |
| 29 | 25670008/1 | 2 | Washer | |
| 30 | 12156602/0 | 1 | Nut | |
| 31 | 24487998/0 | 1 | Cotter Pin | |
| 32 | 25840025/0 | 1 | Tie Rod | |
| 33 | 25670008/1 | 1 | Washer | |
| 34 | 24487998/0 | 1 | Cotter Pin | |
| 35 | 25510090/0 | 1 | Pin | |
| 36 | 12295200/0 | 1 | Nut | |
| 37 | 12156602/0 | 1 | Nut | |
| 38 | 25670008/1 | 2 | Washer | |
| 39 | 12156602/0 | 1 | Nut | |
| 40 | 12521360/0 | 2 | Washer | |
| 41 | 82000385/0 | 1 | Axle | |
| 42 | 27546015/1 | 2 | Plate | |
| 43 | 12731350/0 | 4 | Screw | |
| 44 | 25840024/0 | 1 | Tie Rod | |
| 45 | 25670008/1 | 1 | Washer | |
| 46 | 24487998/0 | 1 | Cotter Pin | |
| 47 | 25510098/0 | 1 | Pin | |
| 48 | 12295200/0 | 1 | Nut | |
| 49 | 12156602/0 | 1 | Nut | |
| 50 | 25670008/1 | 2 | Washer | |
| 51 | 12156602/0 | 1 | Nut | |
| 52 | 25840025/0 | 1 | Tie Rod | |
| 53 | 25670008/1 | 1 | Washer | |
| 54 | 24487998/0 | 1 | Cotter Pin | |
| 55 | 25510090/0 | 1 | Pin | |
| 56 | 12295200/0 | 1 | Nut | |
| 57 | 12156602/0 | 1 | Nut | |
| 58 | 25670008/1 | 2 | Washer | |
| 59 | 12156602/0 | 1 | Nut | |



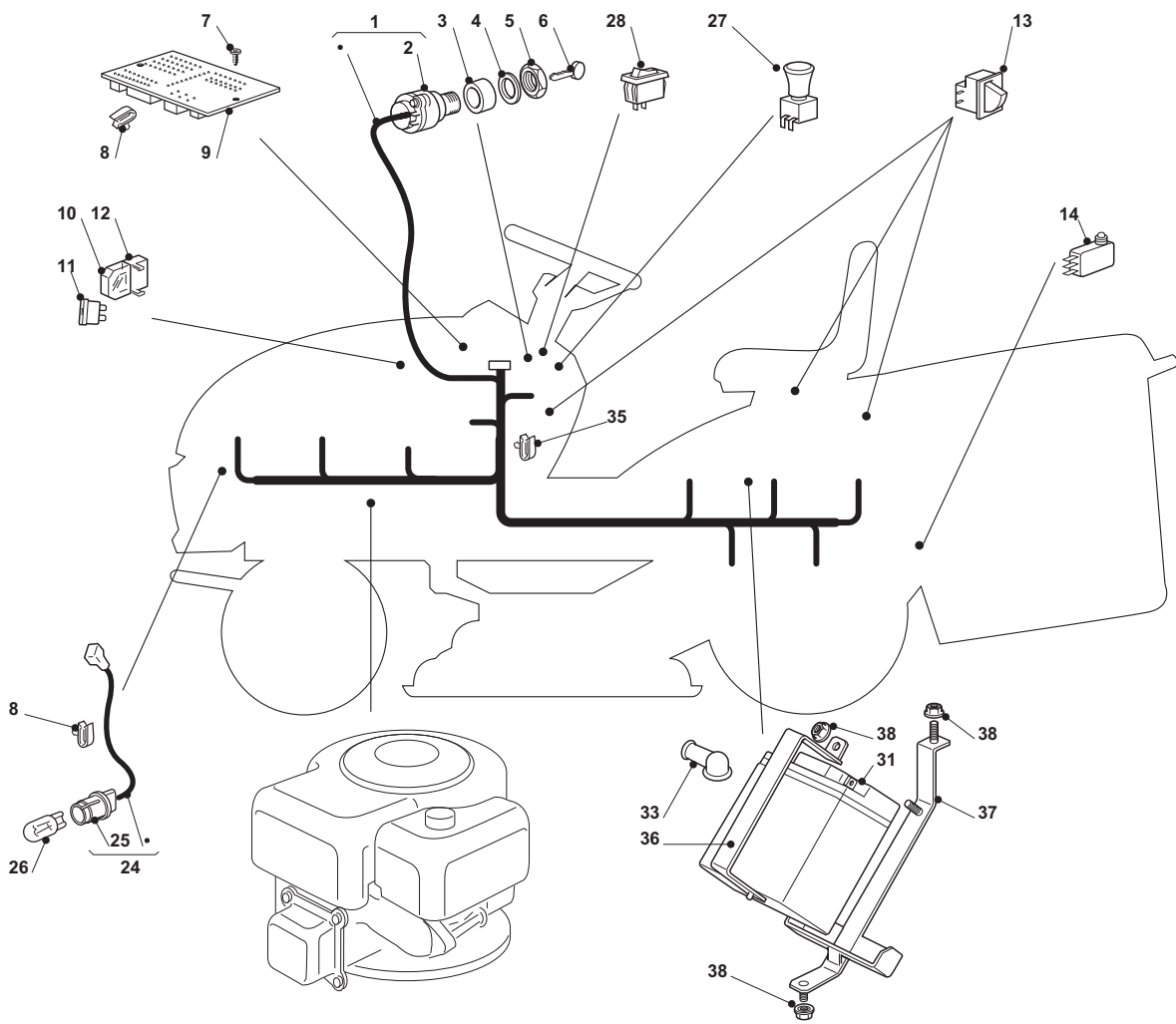
| Guards And Conveyor | | | | |
|---------------------|-------------|------|-----------------------|-------|
| POSITION | CODE | Q.TY | DESCRIPTION | NOTES |
| 1 | 25060111/0 | 1 | Case,Grey | |
| 1 | 25060102/0 | 1 | Case,Black | |
| 2 | 25580007/0 | 1 | Stud Screw | |
| 3 | 12155000/0 | 2 | Nut | |
| 4 | 12293201/0 | 2 | Nut | |
| 5 | 12735110/0 | 2 | Screw | |
| 6 | 25060112/0 | 1 | Case,Grey | |
| 6 | 25060103/0 | 1 | Case,Black | |
| 7 | 12735110/0 | 2 | Screw | |
| 8 | 82270301/0 | 1 | Belt Guide | |
| 9 | 12293201/0 | 2 | Nut | |
| 10 | 12155000/0 | 2 | Nut | |
| 11 | 25033060/0 | 2 | Water Hose Connection | |
| 12 | 19035000/0 | 2 | O Ring | |
| 13 | 12500030/0 | 2 | Rivet | |
| 31 | 382108008/0 | 1 | Conveyor | |
| 33 | 25774373/0 | 2 | Clamp | |



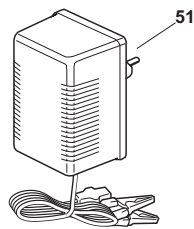
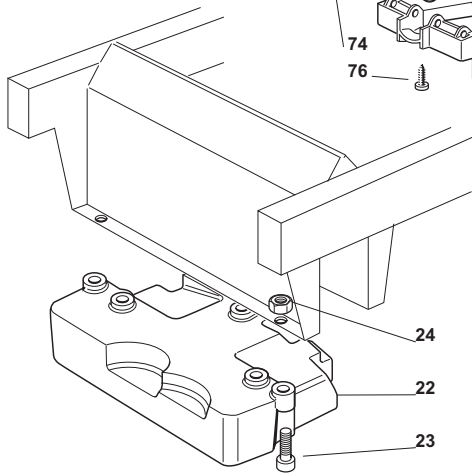
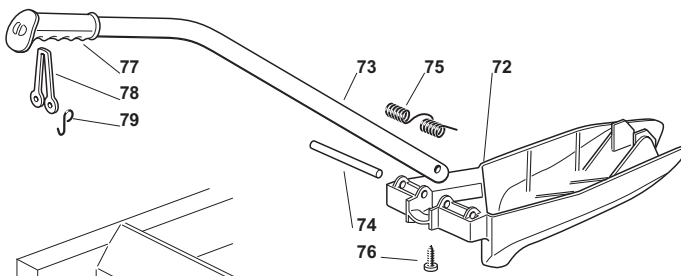
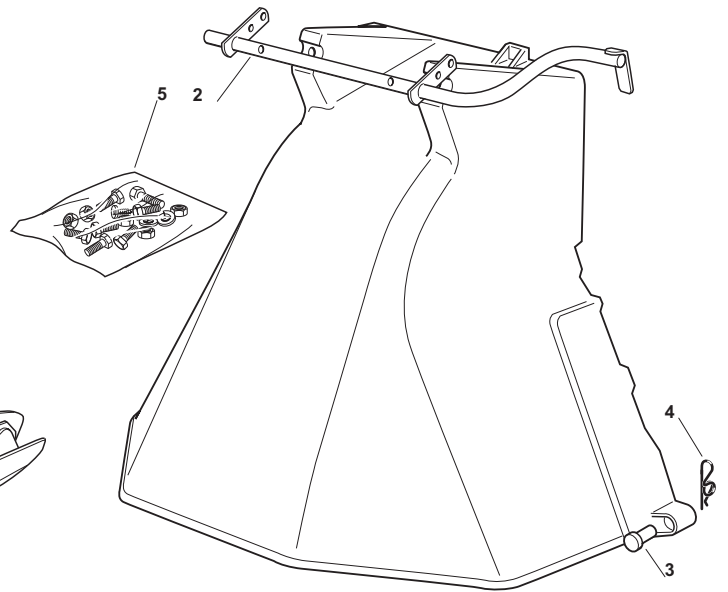
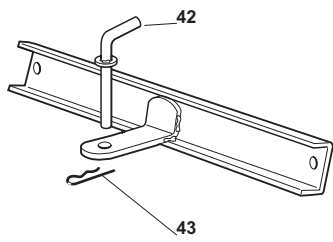
| Cutting Plate | | | | |
|---------------|-------------|------|------------------------------|-------|
| POSITION | CODE | Q.TY | DESCRIPTION | NOTES |
| 1 | 82564075/0 | 1 | Plate, Black | |
| 1 | 382564091/0 | 1 | Plate, Red | |
| 1 | 382564112/0 | 1 | Plate, Yellow | |
| 2 | 82207202/0 | 1 | Left Flange Ass.Y (6÷10) | |
| 3 | 25020802/0 | 1 | Shaft | |
| 5 | 119216047/0 | 2 | Bearing | |
| 6 | 25160501/0 | 1 | Dust Cover | |
| 7 | 12609260/0 | 1 | Seeger | |
| 8 | 82207203/0 | 1 | Right Flange Ass.Y (12÷16) | |
| 9 | 25020803/0 | 1 | Shaft | |
| 11 | 119216047/0 | 2 | Bearing | |
| 12 | 25160501/0 | 1 | Dust Cover | |
| 13 | 12609260/0 | 1 | Seeger | |
| 14 | 12139480/0 | 2 | Key | |
| 15 | 12818700/0 | 6 | Screw | |
| 16 | 12154210/0 | 6 | Nut | |
| 17 | 25601563/0 | 2 | Pulley | |
| 18 | 25670007/0 | 2 | Washer | |
| 19 | 12583500/0 | 2 | Grower | |
| 20 | 12793102/0 | 2 | Screw | |
| 21 | 25160007/0 | 1 | Spacer | |
| 22 | 25670007/0 | 1 | Washer | |
| 23 | 25601555/0 | 1 | Pulley | |
| 24 | 12691115/0 | 1 | Screw | |
| 25 | 12523060/0 | 1 | Washer | |
| 26 | 12155000/0 | 1 | Nut | |
| 27 | 35065701/0 | 1 | Belt | |
| 31 | 82318141/2 | 1 | Lever | |
| 32 | 12691700/0 | 1 | Screw | |
| 33 | 12523070/0 | 2 | Washer | |
| 34 | 22672152/0 | 2 | Washer | |
| 35 | 12155000/0 | 1 | Nut | |
| 36 | 25601564/0 | 1 | Pulley | |
| 37 | 119216048/0 | 1 | Bearing | |
| 38 | 12610800/0 | 1 | Snap Ring | |
| 39 | 12609200/0 | 1 | Seeger | |
| 40 | 82004618/0 | 1 | Wire | |
| 41 | 382774215/3 | 1 | Clamp | |
| 42 | 12792611/0 | 1 | Screw | |
| 43 | 12293201/0 | 1 | Nut | |
| 51 | 12139100/0 | 2 | Feather | |
| 52 | 25463200/0 | 2 | Blade Hub | |
| 53 | 82004352/0 | 1 | Right Blade Mulching | |
| 53a | 82004354/0 | 1 | Right Blade Mulching, Winged | |
| 53b | 82004345/1 | 1 | Right Blade, Winged | |
| 54 | 81004346/3 | 1 | Left Blade Mulching | |
| 54a | 82004353/0 | 1 | Left Blade Mulching, Winged | |
| 54b | 82004344/1 | 1 | Left Blade, Winged | |
| 57 | 22160400/0 | 2 | Elastic Washer | |
| 58 | 12523080/0 | 2 | Washer | |
| 59 | 12735695/1 | 1 | Screw | |
| 60 | 12735694/0 | 1 | Screw | |
| 61 | 82000535/0 | 1 | Equalizer Rod | |
| 62 | 82000533/0 | 1 | Equalizer Rod | |
| 63 | 25670008/1 | 4 | Washer | |
| 64 | 12156602/0 | 2 | Nut | |
| 65 | 25670008/1 | 2 | Washer | |
| 66 | 24487998/0 | 2 | Cotter Pin | |



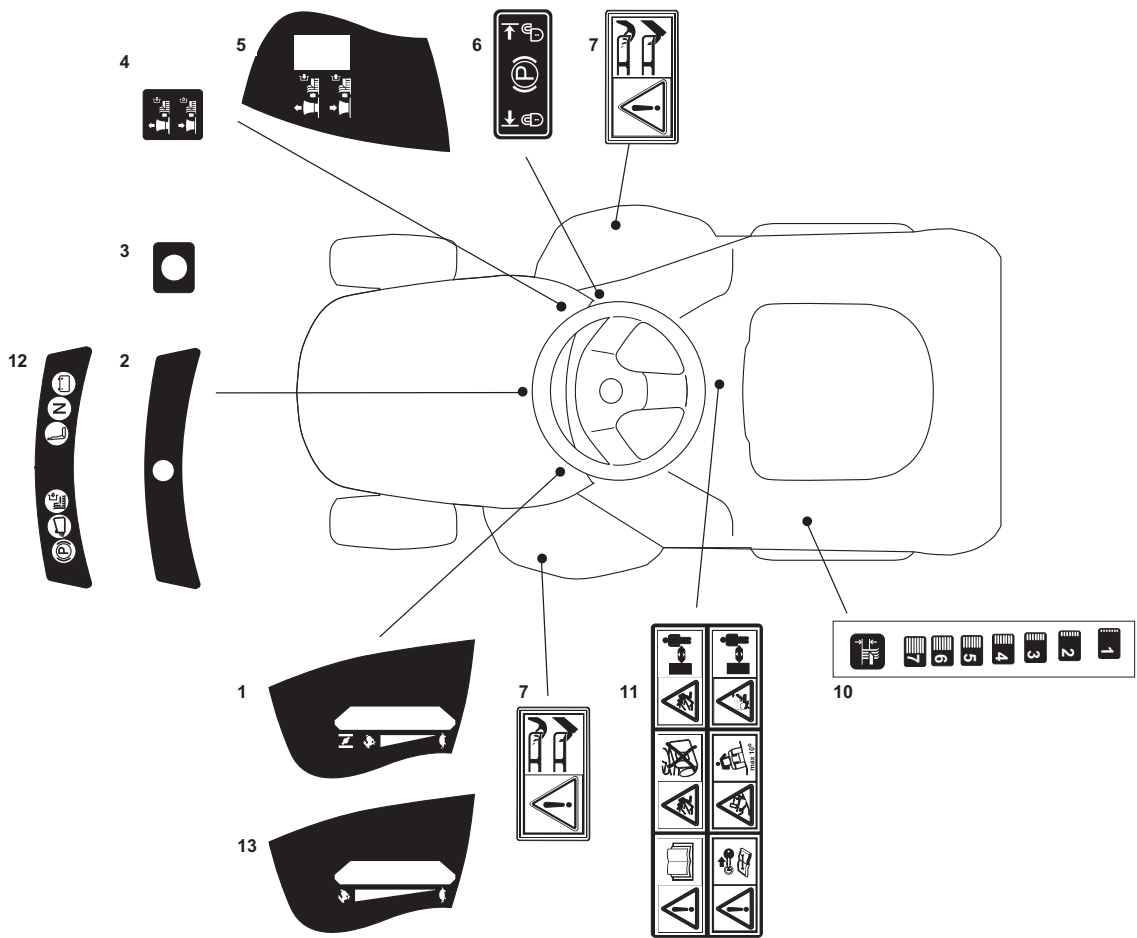
| Grasscatcher | | | | |
|--------------|-------------|------|--------------------------|-------|
| POSITION | CODE | Q.TY | DESCRIPTION | NOTES |
| 1 | 25785275/0 | 2 | Support | |
| 2 | 12818690/0 | 4 | Screw | |
| 3 | 12293201/0 | 4 | Nut | |
| 11 | 325755031/1 | 1 | Bracket | |
| 12 | 12789000/0 | 1 | Screw | |
| 12 | 12789000/0 | 1 | Screw | |
| 13 | 325774315/1 | 1 | Bracket | |
| 14 | 125510080/1 | 1 | Pin | |
| 15 | 12292102/0 | 1 | Nut | |
| 16 | 22450432/0 | 1 | Spring | |
| 17 | 12154330/0 | 1 | Nut | |
| 21 | 82800111/0 | 1 | Front Frame | |
| 22 | 82105973/0 | 1 | Grasscatcher | |
| 23 | 82394003/0 | 1 | Front Handle | |
| 24 | 82869023/0 | 1 | Rod | |
| 25 | 25394508/0 | 1 | Handle | |
| 26 | 82180048/0 | 1 | Screws Outfit | |
| 31 | 25110320/0 | 1 | Grass-Catcher Cover, Red | |
| 41 | 25600041/0 | 1 | Micro Protection | |
| 42 | 25600042/0 | 1 | Protection Cover | |
| 43 | 25318124/0 | 1 | Lever | |
| 44 | 12400030/0 | 1 | Pin | |
| 45 | 25785272/0 | 1 | Micro Protection | |
| 46 | 12728510/0 | 1 | Screw | |
| 47 | 25600048/0 | 1 | Deflector Cover | |
| 48 | 12735110/0 | 2 | Screw | |



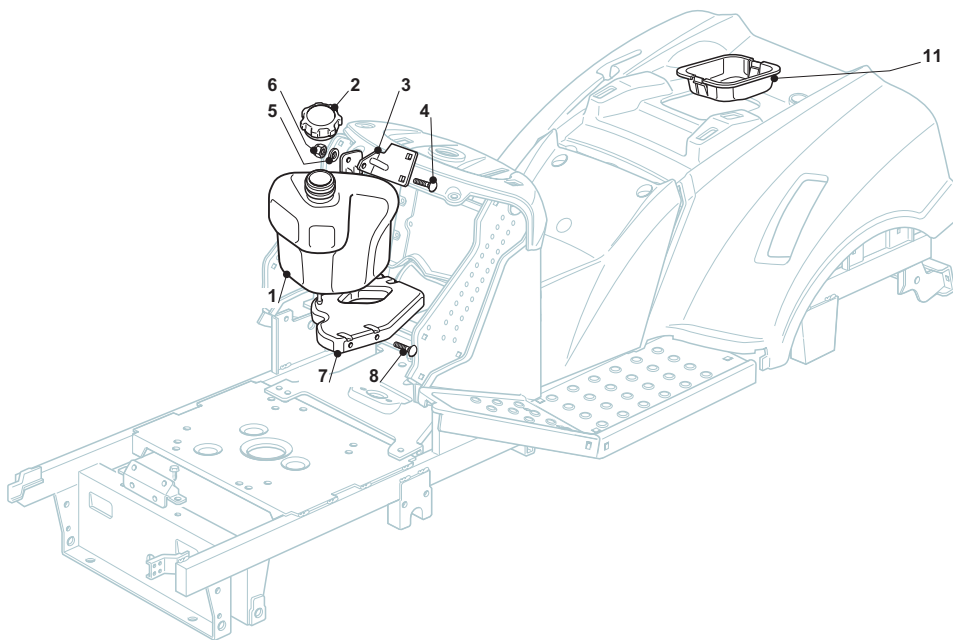
| Electrical Parts | | | | |
|------------------|-------------|------|--------------------------|-------|
| POSITION | CODE | Q.TY | DESCRIPTION | NOTES |
| 1 | 182040153/0 | 1 | Cables Ass.Y (B&S - GGP) | |
| 1 | 182040154/0 | 1 | Cables Ass.Y (Honda) | |
| 2 | 18450072/0 | 1 | Starting Switch | |
| 3 | 18550136/0 | 1 | Spacer | |
| 4 | 18550135/0 | 1 | Washer | |
| 5 | 18400862/0 | 1 | Ringnut | |
| 6 | 18210022/0 | 1 | Starting Key | |
| 7 | 12727810/0 | 3 | Screw | |
| 8 | 33320506/0 | 2 | Fairlead | |
| 9 | 125722430/1 | 1 | Electronic Card (1 Led) | |
| 9 | 125722431/0 | 1 | Electronic Card (6 Led) | |
| 10 | 33215000/0 | 2 | Cover | |
| 11 | 33340040/0 | 1 | Fuse 10A | |
| 11 | 33340036/0 | 1 | Fuse 25 A | |
| 12 | 33500007/0 | 2 | Fuse Carrier | |
| 13 | 119410615/0 | 3 | Microswitch | |
| 14 | 19410605/1 | 1 | Full Grasscatc. Micro | |
| 24 | 82040073/0 | 1 | Cable | |
| 25 | 33500030/0 | 2 | Lamp Holder | |
| 26 | 18459100/0 | 2 | Farilamp For Lights | |
| 27 | 18450068/0 | 1 | Clutch Switch | |
| 28 | 18450060/1 | 1 | Farilamp Switch | |
| 31 | 18120002/1 | 1 | Battery | |
| 33 | 18564861/1 | 1 | Protection | |
| 35 | 33320506/0 | 9 | Fairlead | |
| 36 | 27772099/1 | 1 | Clamp | |
| 37 | 382785191/0 | 1 | Battery Support | |
| 38 | 12155000/0 | 3 | Nut | |



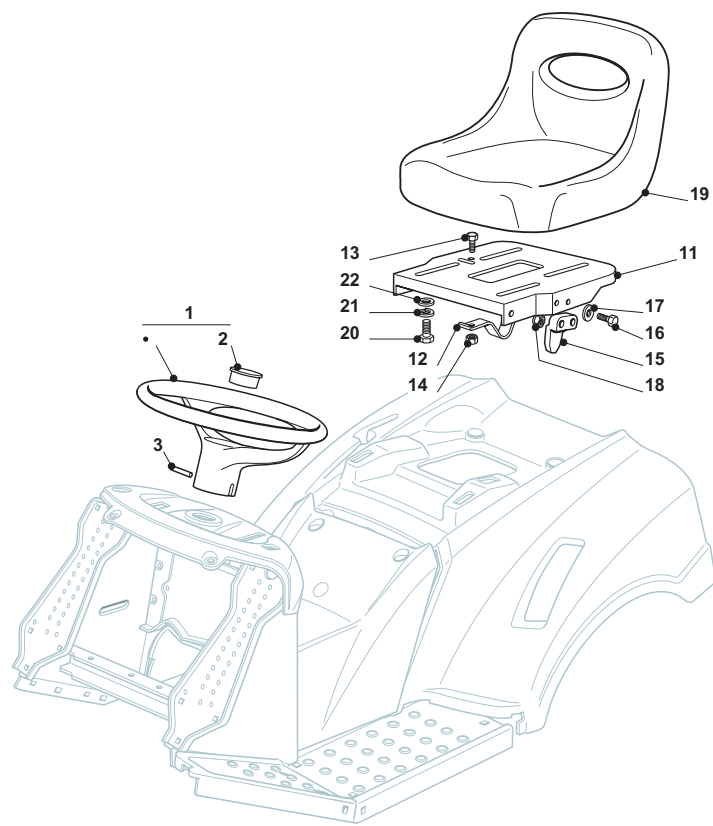
| Optionals On Request | | | | |
|----------------------|-------------|------|------------------------|---------|
| POSITION | CODE | Q.TY | DESCRIPTION | NOTES |
| 3 | 25510022/0 | 2 | Pin | |
| 4 | 24487998/0 | 2 | Cotter Pin | |
| 5 | 82180062/0 | 1 | Screws Outfit | |
| 22 | 25519997/1 | 1 | Weight | |
| 23 | 12760520/0 | 3 | Screw | |
| 24 | 12155000/0 | 3 | Nut | |
| 42 | 25510021/1 | 1 | Pin | |
| 43 | 24487999/0 | 1 | Cotter Pin | |
| 51 | 182180090/0 | 1 | Battery Charger | EU plug |
| 51 | 182180091/0 | 1 | Battery Charger (U.K.) | UK plug |
| 72 | 25140093/0 | 1 | Deflector | |
| 73 | 25394007/0 | 1 | Handle | |
| 74 | 25510077/0 | 1 | Pin | |
| 75 | 25430245/0 | 1 | Spring | |
| 76 | 12735410/0 | 1 | Screw | |
| 77 | 25280000/1 | 1 | Handgrip | |
| 78 | 25840011/1 | 1 | Elastic Tie-Rod | |
| 79 | 25253004/0 | 2 | Hook | |



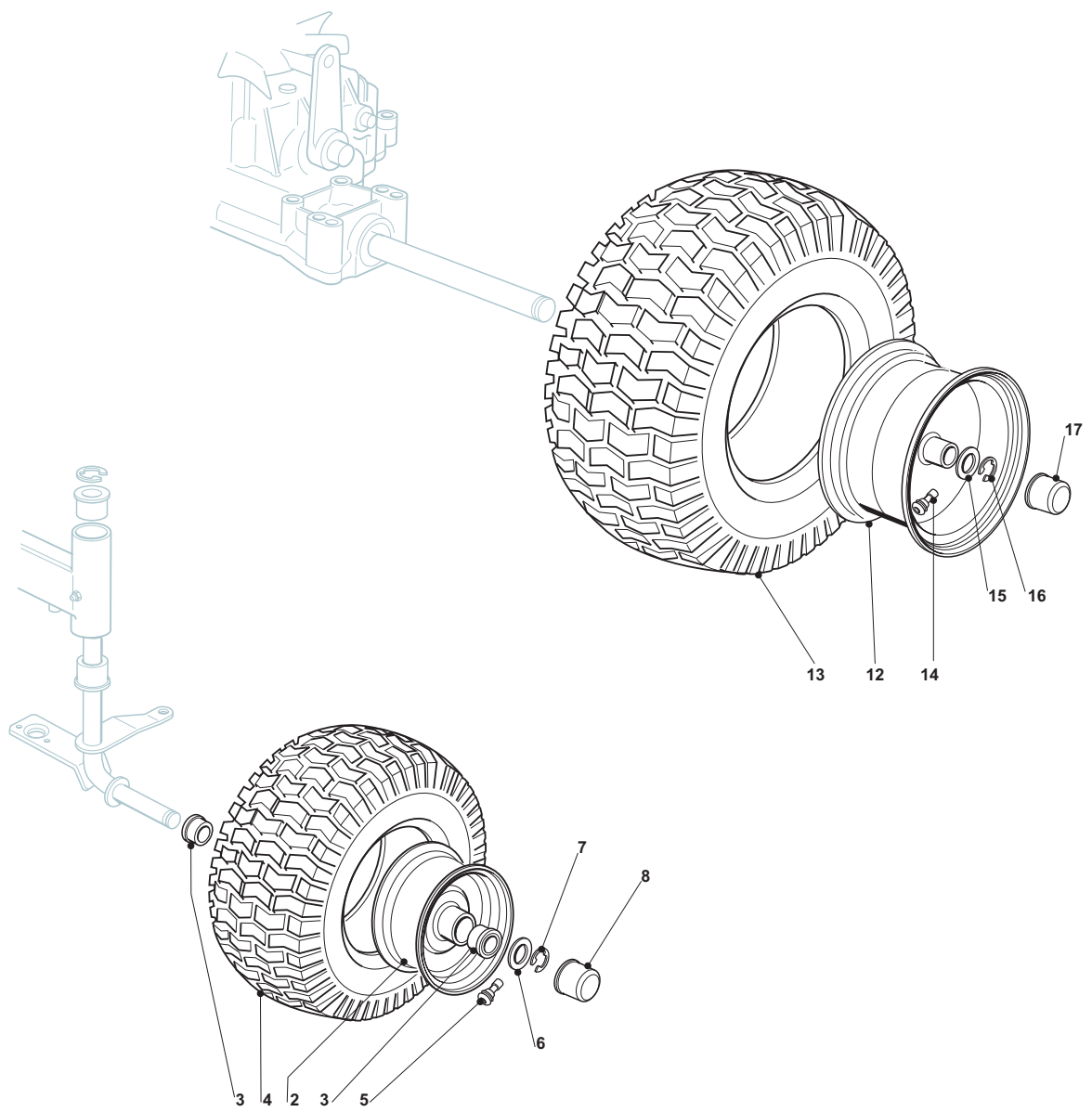
| Labels | | | | |
|-----------------|-------------|-------------|--------------------|--|
| POSITION | CODE | Q.TY | DESCRIPTION | NOTES |
| 1 | 14361440/0 | 1 | Label | |
| 2 | 25420019/0 | 1 | Label | for 1 led dashboard version |
| 3 | 25420018/0 | 1 | Label | |
| 4 | 14361438/0 | 1 | Label | |
| 5 | 14361439/0 | 1 | Label | |
| 6 | 14361452/0 | 1 | Label | |
| 7 | 114356699/1 | 2 | Label | |
| 10 | 14361441/0 | 1 | Label | |
| 11 | 14361553/0 | 1 | Label | |
| 12 | 125420020/0 | 1 | Label | for 6 led dashboard version |
| 13 | 114364616/0 | 1 | Label | use only for model with Honda GXV 390 engine |



| Tank | | | | |
|----------|-------------|------|-------------|-------|
| POSITION | CODE | Q.TY | DESCRIPTION | NOTES |
| 1 | 325735124/0 | 1 | Tank | |
| 2 | 25795001/1 | 1 | Cap | |
| 3 | 325785291/0 | 1 | Support | |
| 4 | 12789195/0 | 1 | Screw | |
| 5 | 12581500/0 | 1 | Grower | |
| 6 | 12437503/0 | 1 | Plate | |
| 7 | 325785289/0 | 1 | Support | |
| 8 | 12735403/0 | 4 | Screw | |
| 11 | 325207176/0 | 1 | Basin | |



| Seat & Steering Wheel | | | | |
|-----------------------|------------|------|----------------|-------|
| POSITION | CODE | Q.TY | DESCRIPTION | NOTES |
| 1 | 25961201/0 | 1 | Steering Wheel | |
| 2 | 25120230/0 | 1 | Cap | |
| 3 | 12620299/0 | 1 | Pin | |
| 11 | 25547033/1 | 1 | Plate | |
| 12 | 25430223/2 | 1 | Spring | |
| 13 | 12789000/0 | 1 | Screw | |
| 14 | 12154330/0 | 1 | Nut | |
| 15 | 27063021/1 | 1 | Cam | |
| 16 | 12789100/0 | 2 | Screw | |
| 17 | 12523020/0 | 2 | Washer | |
| 18 | 12154330/0 | 2 | Nut | |
| 19 | 25722453/1 | 1 | Seat | |
| 20 | 12793101/0 | 4 | Screw | |
| 21 | 12583500/0 | 4 | Grower | |
| 22 | 12523060/0 | 4 | Washer | |



| Wheels | | | | |
|----------|-------------|------|-------------|-------|
| POSITION | CODE | Q.TY | DESCRIPTION | NOTES |
| 2 | 182000598/0 | 2 | Rimm | |
| 3 | 25122200/2 | 4 | Bearing | |
| 4 | 125590014/0 | 2 | Tyre 13 " | |
| 4 | 127590066/0 | 2 | Tyre 15" | |
| 5 | 25950000/0 | 2 | Valve | |
| 6 | 25670005/1 | 2 | Washer | |
| 7 | 12001000/0 | 2 | Snap Ring | |
| 8 | 22110230/0 | 2 | Hub Cover | |
| 12 | 182000599/0 | 2 | Rimm | |
| 13 | 125590015/0 | 2 | Shoe | |
| 14 | 25950000/0 | 2 | Valve | |
| 15 | 25670005/1 | 2 | Washer | |
| 16 | 12001010/0 | 2 | Snap Ring | |
| 17 | 22110230/0 | 2 | Hub Cover | |