

# Genuine Spare Parts

Catalogo delle parti di ricambio  
Spare parts catalogue  
Catalogue des pieces de rechange  
Ersatzteilkatalog

# 2009

- Use GLOBAL GARDEN PRODUCT Genuine Spare Parts specified in the parts list for repair and/or replacement.
- The contents described in the parts list may change due to improvement.
- The drawings of the spare parts are only indicative and might not represent the part in question exactly.
- The indications "right" - "left" - "front" - "rear" refer to the position of the operator when using the machine.
- When placing orders of parts for repair and/or replacement, make sure that the illustrated parts list is the one applying to the machine's year of manufacture, as shown on the identification plate attached to the machine.

**COPYRIGHT** by GLOBAL GARDEN PRODUCTS

All rights reserved. No part of this material may be reproduced or transmitted, in any form or by any means, electronic or mechanical, including photocopying, recording or by any information storage and retrieval system, without permission in writing from GLOBAL GARDEN PRODUCTS.



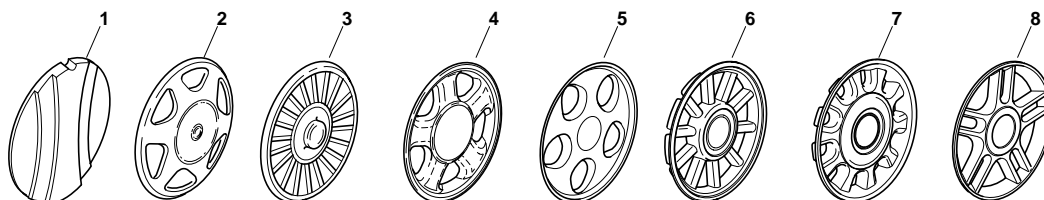
**GLOBAL GARDEN PRODUCTS**

# ENCLOSURE 1

2009

001.0

1 / 1



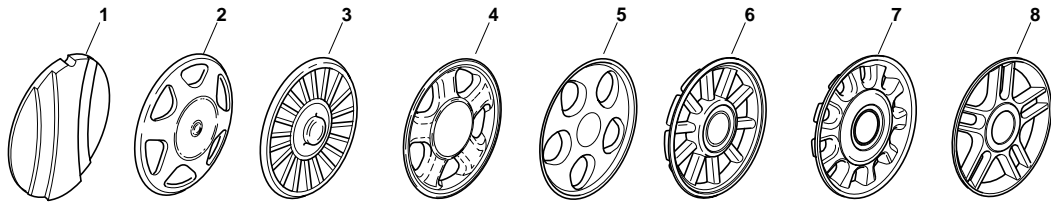
POS.	CODE	Q.TY	DESCRIZIONE	DESCRIPTION	DESCRIPTION	BESCHREIBUNG	REMARKS
1	22110252/1		Coprimozzo Bianco	Hub Cap White	Couvre-Moyeu	Radkappe Weiße	
1	22110254/1		Coprimozzo Giallo	Hub Cap Yellow	Couvre-Moyeu	Radkappe Gelbe	
1	22110255/1		Coprimozzo Rosso	Hub Cap Red	Couvre-Moyeu	Radkappe Rote	
2	22110344/0		Coprimozzo Bianco	Hub Cap White	Couvre-Moyeu	Radkappe Weiße	
2	22110395/0		Coprimozzo Grigio	Hub Cap Grey	Couvre-Moyeu Gris	Radkappe Grau	
3	22110347/0		Coprimozzo Grigio	Hub Cap Grey	Couvre-Moyeu Gris	Radkappe Grau	
4	22110381/0		Coprimozzo Grigio	Hub Cap Grey	Couvre-Moyeu Gris	Radkappe Grau	
5	22110416/0		Coprimozzo Grigio	Hub Cap Grey	Couvre-Moyeu Gris	Radkappe Grau	
6	22110495/0		Coprimozzo Grigio	Hub Cap Grey	Couvre-Moyeu Gris	Radkappe Grau	
7	22110493/0		Coprimozzo Grigio	Hub Cap Grey	Couvre-Moyeu Gris	Radkappe Grau	
8	22110491/0		Coprimozzo Grigio	Hub Cap Grey	Couvre-Moyeu Gris	Radkappe Grau	

# ENCLOSURE 2

2009

002.0

1 / 1



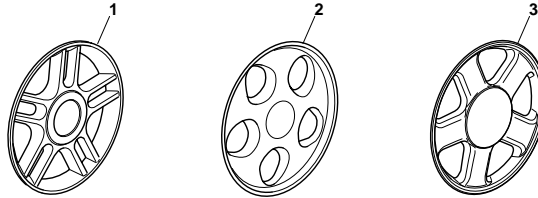
POS.	CODE	Q.TY	DESCRIZIONE	DESCRIPTION	DESCRIPTION	BESCHREIBUNG	REMARKS
1	22110251/0		Coprimezzo Bianco	Hub Cap White	Couvre-Moyeu	Radkappe Weiße	
1	22110253/0		Coprimezzo Giallo	Hub Cap Yellow	Couvre-Moyeu	Radkappe Gelbe	
1	22110256/0		Coprimezzo Rosso	Hub Cap Red	Couvre-Moyeu	Radkappe Rote	
2	22110313/0		Coprimezzo Bianco	Hub Cap White	Couvre-Moyeu	Radkappe Weiße	
2	22110314/0		Coprimezzo Grigio	Hub Cap Grey	Couvre-Moyeu Gris	Radkappe Grau	
3	22110348/0		Coprimezzo Grigio	Hub Cap Grey	Couvre-Moyeu Gris	Radkappe Grau	
4	22110382/0		Coprimezzo Grigio	Hub Cap Grey	Couvre-Moyeu Gris	Radkappe Grau	
5	22110417/0		Coprimezzo Grigio	Hub Cap Grey	Couvre-Moyeu Gris	Radkappe Grau	
6	22110496/0		Coprimezzo Grigio	Hub Cap Grey	Couvre-Moyeu Gris	Radkappe Grau	
7	22110494/0		Coprimezzo Grigio	Hub Cap Grey	Couvre-Moyeu Gris	Radkappe Grau	
8	22110492/0		Coprimezzo Grigio	Hub Cap Grey	Couvre-Moyeu Gris	Radkappe Grau	

# ENCLOSURE 3

2009

003.0

1 / 1

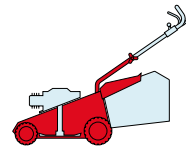


POS.	CODE	Q.TY	DESCRIZIONE	DESCRIPTION	DESCRIPTION	BESCHREIBUNG	REMARKS
1	322110560/0		Coprizzo Grigio	Hub Cap Grey	Couvre-Moyeu Gris	Radkappe Grau	
2	322110590/0		Coprizzo Grigio	Hub Cap Grey	Couvre-Moyeu Gris	Radkappe Grau	
3	22110511/0		Coprizzo Grigio	Hub Cap Grey	Couvre-Moyeu Gris	Radkappe Grau	

T 484

TR

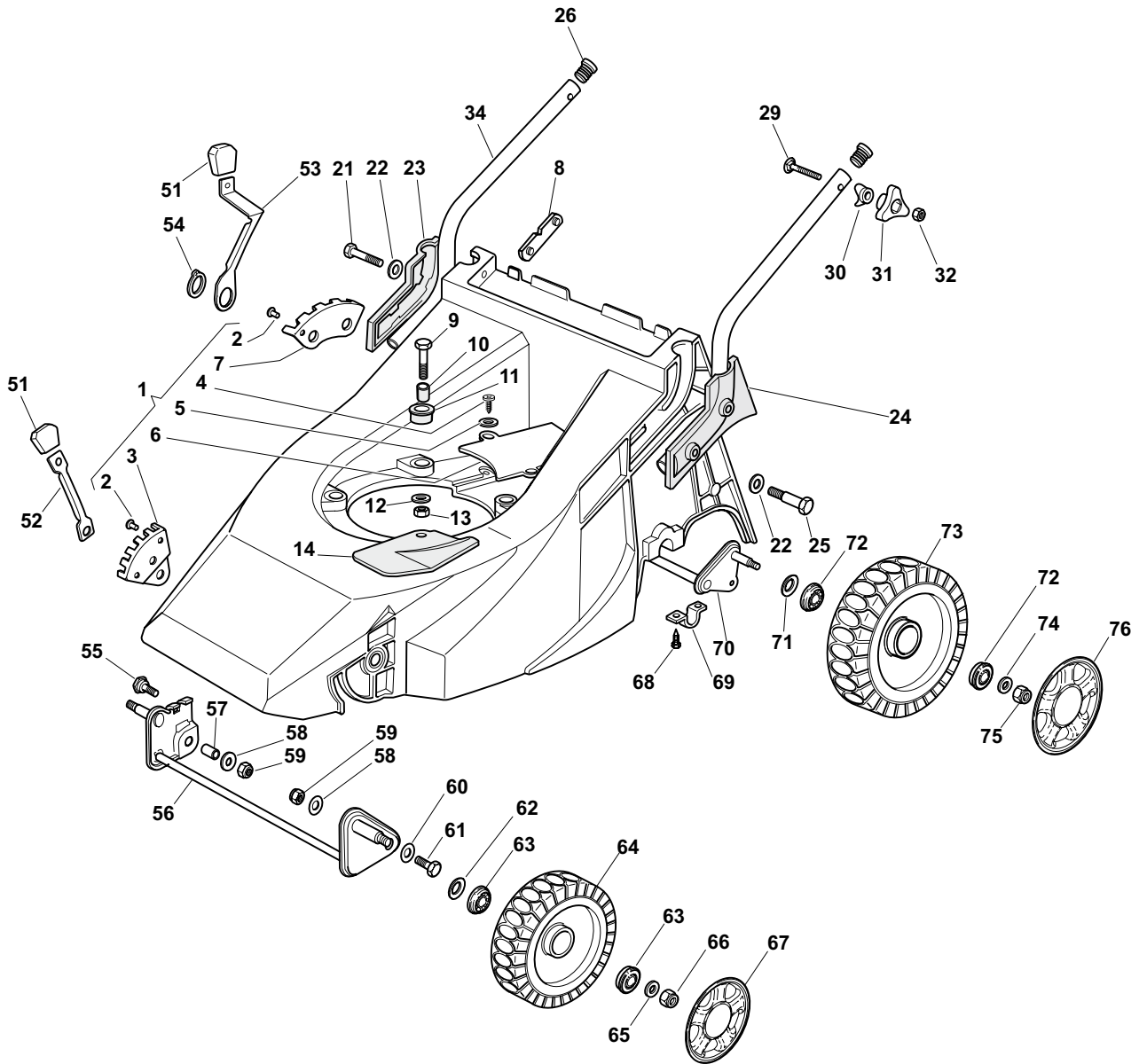
TR-E



2009

4\_001

1 / 2



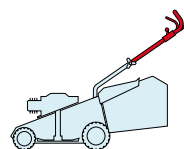
POS.	CODE	Q.TY	DESCRIZIONE	DESCRIPTION	DESCRIPTION	BESCHREIBUNG	REMARKS
1	81001416/2	1	Chassis Rosso	Deck Red	Châssis Rouge	Gehäuse Rot	
2	12500070/0	3	Rivetto	Rivet	Rivet	Niete	
3	22735535/0	1	Settore Regolazione Altezza	Sector, Height Adjustment	Secteur Reglage Hauteur	Sektor, Höheverstellung	
4	12728680/0	2	Vite	Screw	Vis	Schraube	
5	12523020/0	3	Rosetta	Washer	Rondelle	Scheibe	
6	22060172/0	1	Carter Cinghia	Protection, Belt	Protection	Schutz, Riemen	
7	22735508/0	1	Settore Regolazione Altezza	Sector, Height Adjustment	Secteur Reglage Hauteur	Sektor, Höheverstellung	
8	22551632/1	2	Piastrina Fissaggio Manico	Plate For Handle Fastening	Plaquette Fixage Mancheron	Platte Holmbefestigung	
9	12691800/0	3	Vite	Screw	Vis	Schraube	
9	12691900/0	3	Vite	Screw	Vis	Schraube	(Honda)
10	22167840/0	3	Distanziale	Spacer	Entretoise	Distanzring	

POS.	CODE	Q.TY	DESCRIZIONE	DESCRIPTION	DESCRIPTION	BESCHREIBUNG	REMARKS
11	22040265/0	3	Bussola	Bush	Douille	Buchse	
12	12523070/0	3	Rosetta	Washer	Rondelle	Scheibe	
13	12155000/0	3	Dado	Nut	Ecrou	Mutter	
14	22484070/1	1	Paracalore	Muffler Guard	Grille De	Schutzabdeckung	
21	12691400/0	2	Vite	Screw	Vis	Schraube	
22	12521350/0	4	Rosetta	Washer	Rondelle	Scheibe	
23	22600042/0	1	Prot. Manico Dx	Protection, R	Protection Mancheron D	Schutz,	
24	22600043/0	1	Prot. Manico Sx	Protection, L	Protection Mancheron G	Schutz, Linkerholm	
25	12691900/0	2	Vite	Screw	Vis	Schraube	
26	18566110/0	2	Puntale	Cap	Bouchon	Gummistopfen	
29	12819120/0	2	Vite	Screw	Vis	Schraube	
30	22680006/1	2	Rosetta	Washer	Rondelle	Scheibe	
31	22399900/0	2	Manopolina	Knob	Poignée	Griff	
32	12293200/0	2	Dado	Nut	Ecrou	Mutter	
33	81008606/1	1	Dotazione Viteria	Outfit, Screws	Dotation Visserie	Satz, Schrauben	
34	81006917/0	2	Manico, Parte Inf	Handle, Lower Part	Mancheron, Partie Inferieure	Holm, Unterteil	
51	22400000/1	2	Manopolina	Knob	Poignée	Griff	
52	22321502/1	1	Leva Regolazione Altezza	Lever, Height Adjustment	Levier, Reglage Hauteur	Hebel, Höhenverstellung	
53	22321497/0	1	Leva Regolazione Altezza	Lever, Height Adjustment	Levier, Reglage Hauteur	Hebel, Höhenverstellung	
54	12609260/0	1	Anello Arresto	Ring	Anneau De Tennue	Ring	
55	22519510/0	1	Perno	Pin	Pivot	Bolzen	
56	81001410/0	1	Asse Ruote Anteriori	Axle, Front Wheels	Axe Roues Avant	Achse, Vorderrad	
57	22170950/0	1	Distanziale Dx	R Spacer	Entretoise D	Rechter Distanzring	
58	12523060/0	2	Rosetta	Washer	Rondelle	Scheibe	
59	12155000/0	2	Dado	Nut	Ecrou	Mutter	
60	12521350/0	2	Rosetta	Washer	Rondelle	Scheibe	
61	22519515/0	1	Perno	Pin	Pivot	Bolzen	
62	12530150/0	2	Rosetta Elastica	Elastic Washer	Rondelle Elastique	Elastische Scheibe	
63	22122200/0	4	Cuscinetto	Bearing	Coussinet	Lager	
64	81007336/0	2	Ruota Scolpita Ø 170	Wheel, Knobbly Ø 170	Roue Sculptee Ø 170	Rad M. Stollenpr. Ø 170	
65	12521350/0	2	Rosetta	Washer	Rondelle	Scheibe	
66	12155000/0	2	Dado	Nut	Ecrou	Mutter	
67	-	2	Coprizzo	Hub Cap	Couvre-Moyeu	Radkappe	(See Enclosure 1)
68	12735402/0	4	Vite	Screw	Vis	Schraube	
69	22545154/0	2	Piastrina	Plate	Plaquette	Platte	
72	22122200/0	4	Cuscinetto	Bearing	Coussinet	Lager	
73	81007337/0	2	Ruota Scolpita Ø 210	Wheel, Knobbly Ø 210	Roue Sculptee Ø 210	Rad M. Stollenpr. Ø 210	
74	12521350/0	2	Rosetta	Washer	Rondelle	Scheibe	
75	12155000/0	2	Dado	Nut	Ecrou	Mutter	
76	-	2	Coprizzo	Hub Cap	Couvre-Moyeu	Radkappe	(See Enclosure 2)

**T 484**

**TR**

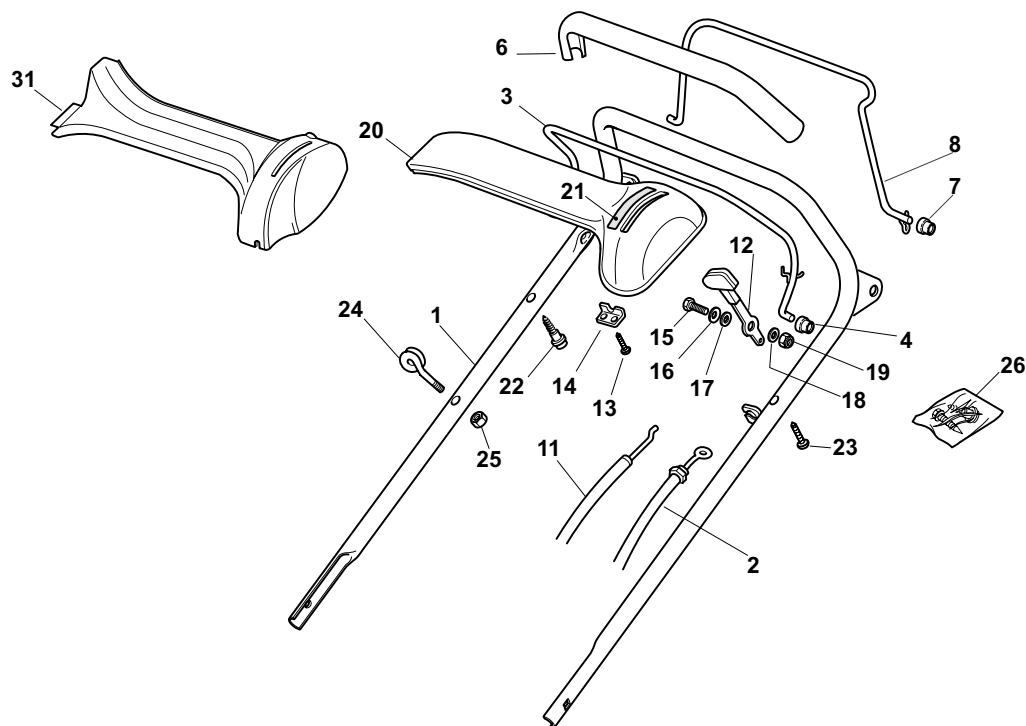
**TR-E**



2009

**4\_002**

1 / 2



POS.	CODE	Q.TY	DESCRIZIONE	DESCRIPTION	DESCRIPTION	BESCHREIBUNG	REMARKS
1	81006857/0	1	Manico, Parte Sup	Handle, Upper Part	Mancheron, Partie Supérieure	Holm, Oberteil	
2	81000621/1	1	Cavo Freno Motore	Cable, Thread Engine Brake	Cable Frein Moteur	Kabel, Motorbremse	(B&S 450-500 Series)
2	81000633/0	1	Cavo Freno Motore	Cable, Thread Engine Brake	Cable Frein Moteur	Kabel, Motorbremse	(B&S 625 Series)
2	81000633/0	1	Cavo Freno Motore	Cable, Thread Engine Brake	Cable Frein Moteur	Kabel, Motorbremse	(B&S 675 Series)
2	81000633/0	1	Cavo Freno Motore	Cable, Thread Engine Brake	Cable Frein Moteur	Kabel, Motorbremse	(Ggp 140 cc)
2	81000615/0	1	Cavo Freno Motore	Cable, Thread Engine Brake	Cable Frein Moteur	Kabel, Motorbremse	(Ggp 150 cc)
2	81000633/0	1	Cavo Freno Motore	Cable, Thread Engine Brake	Cable Frein Moteur	Kabel, Motorbremse	(Ggp 160 cc)
2	81000639/0	1	Cavo Freno Motore	Cable, Thread Engine Brake	Cable Frein Moteur	Kabel, Motorbremse	(Honda Gcv 135-160)
3	81003291/3	1	Leva Freno Motore	Lever, Engine Brake	Levier Frein Moteur	Hebel, Motorbremse	
4	22041966/0	2	Bussola	Bush	Douille	Buchse	
6	22291050/0	1	Impugnatura Manico Nera	Handgrip Black	Poignée Noire	Handgriff Schwarz	
7	22041966/0	2	Bussola	Bush	Douille	Buchse	
8	81003288/1	1	Leva Trazione	Lever, Driving	Levier Traction	Hebel, Antrieb	
11	81007160/0	1	Cavo Acceleratore	Throttle Cable	Cable, Accelérateur	Gashebel Kabel	
12	81007280/2	1	Leva, Acceleratore	Lever, Throttle	Levier,	Hebel, Beshleuniger	(B&S 625-675-700 Series - Honda - Ggp 140-160-196 cc)
12	81007221/0	1	Leva, Acceleratore	Lever, Throttle	Levier,	Hebel, Beshleuniger	(B&S 450-500 Series - Ggp 150 cc)
13	12735105/0	2	Vite	Screw	Vis	Schraube	
14	22981467/0	1	Piastrina	Plate	Plaquette	Platte	

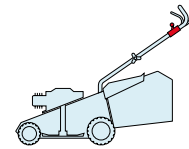
POS.	CODE	Q.TY	DESCRIZIONE	DESCRIPTION	DESCRIPTION	BESCHREIBUNG	REMARKS
15	12791500/0	1	Vite	Screw	Vis	Schraube	
16	12530060/0	1	Rosetta Elastica	Elastic Washer	Rondelle Elastique	Elastische Scheibe	
18	12523040/0	2	Rosetta	Washer	Rondelle	Scheibe	
19	12154510/0	1	Dado	Nut	Ecrou	Mutter	
20	22120152/0	1	Cruscotto Giallo	Dash Board Yellow	Console Jaune	Konsole Gelbe	
20	22120154/0	1	Cruscotto Rosso	Dash Board Red	Console Rouge	Konsole Rote	
20	22120158/0	1	Cruscotto Nero	Dash Board Black	Console Noire	Konsole Schwarze	
21	114356744/1	1	Etichetta	Label	Etiquette	Etikette	(B&S)
21	114356906/1	1	Etichetta	Label	Etiquette	Etikette	(B&S 700 series DOV)
21	114356743/1	1	Etichetta	Label	Etiquette	Etikette	(GGP)
21	114356743/1	1	Etichetta	Label	Etiquette	Etikette	(Honda)
21	114357646/1	1	Etichetta	Label	Etiquette	Etikette	(Honda GCV 160-190 Autochoke)
22	22943006/0	1	Vite	Screw	Vis	Schraube	
23	12728460/0	1	Vite	Screw	Vis	Schraube	
24	22430309/0	1	Molla Guida	Guide Spring	Ressort De Guide	Feder Führer	
25	12154330/0	1	Dado	Nut	Ecrou	Mutter	
26	81008609/0	1	Dotazione Viteria Cruscotto	Outfit, Dash-Board Screws	Dotation Visserie Console	Satz, Konsole Schrauben	
31	22120172/0	1	Cruscotto Nero	Dash Board Black	Console Noire	Konsole Schwarze	
31	22120173/0	1	Cruscotto Rosso	Dash Board Red	Console Rouge	Konsole Rote	
31	22120174/0	1	Cruscotto Giallo	Dash Board Yellow	Console Jaune	Konsole Gelbe	



T 484

TR

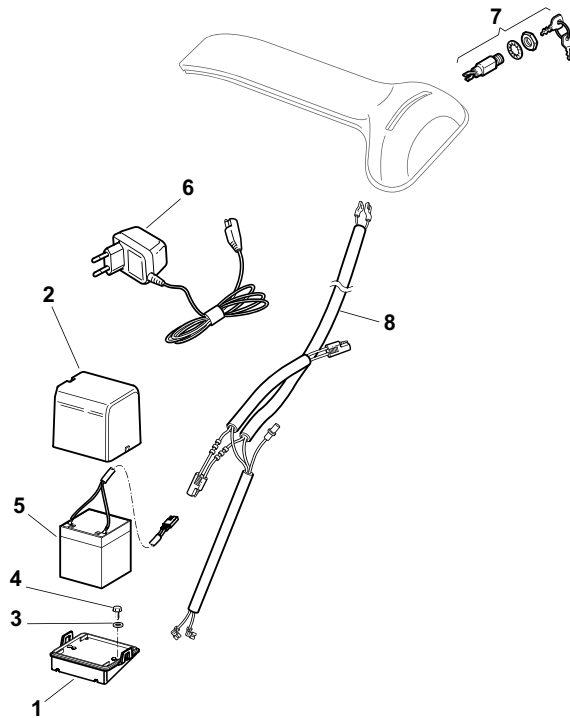
TR-E



2009

4\_003

1 / 1

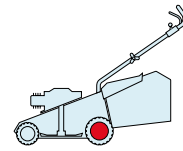


POS.	CODE	Q.TY	DESCRIZIONE	DESCRIPTION	DESCRIPTION	BESCHREIBUNG	REMARKS
1	22785123/0	1	Supporto Batteria	Support, Battery	Support Batterie	Halter, Batterie	
2	22109530/0	1	Coperchio	Cover	Couvercle	Deckel	
3	12521310/0	2	Rosetta	Washer	Rondelle	Scheibe	
4	12731590/0	2	Vite	Screw	Vis	Schraube	
5	18120052/0	1	Batteria	Battery	Batterie	Batterie	
6	18204120/0	1	Carica Batteria	Battery Charger	Chargeur De	Ladgerät	
6	18204121/0	1	Carica Batteria	Battery Charger	Chargeur De	Ladgerät	(Uk)
7	18450050/0	1	Interruttore	Switch	Interrupteur	Schalter	
8	118204192/3	1	Cavo Avviamento	Cable, Start	Cable Démarrage	Kabel, Start	(B&S - GGP)
8	18204198/0	1	Cavo Avviamento	Cable, Start	Cable Démarrage	Kabel, Start	(Honda)

T 484

TR

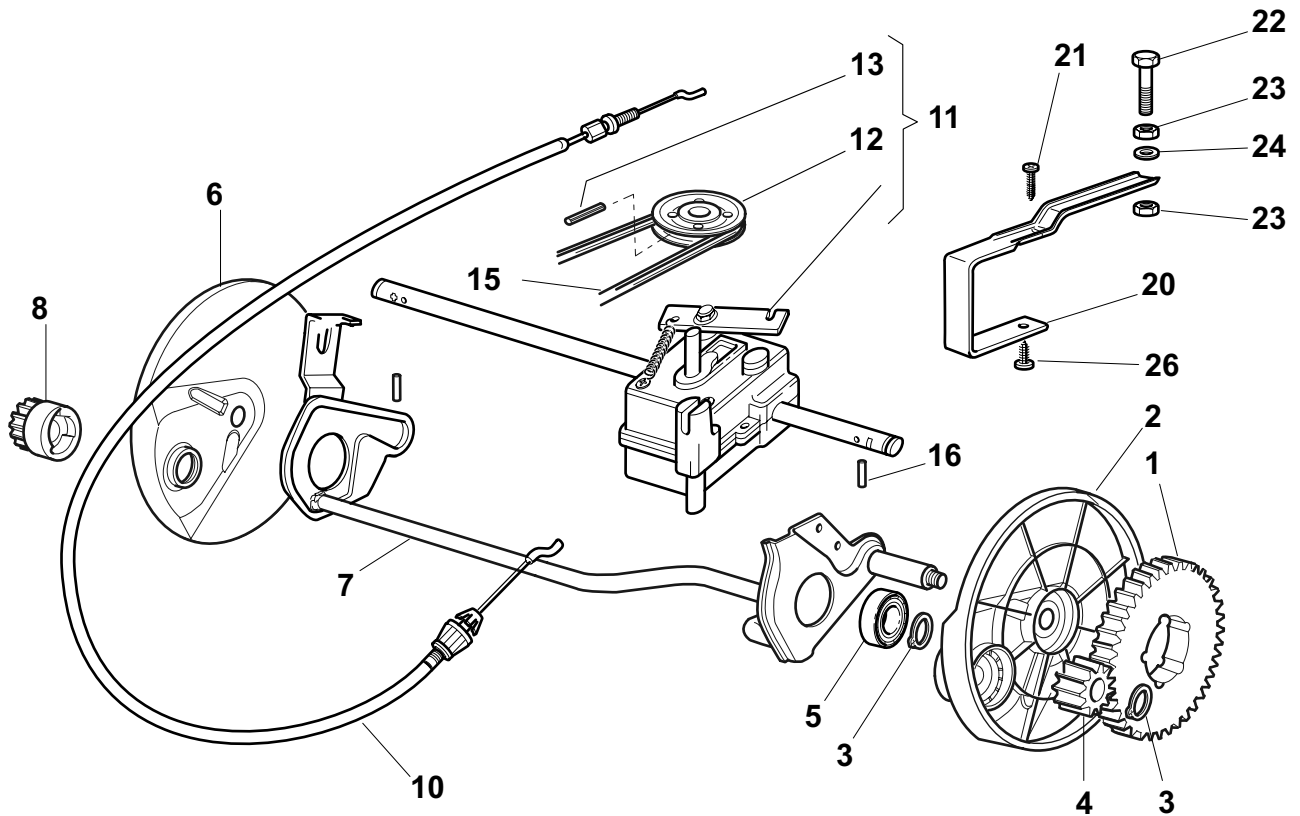
TR-E



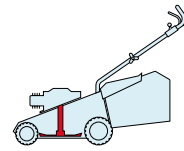
2009

4\_004

1 / 1



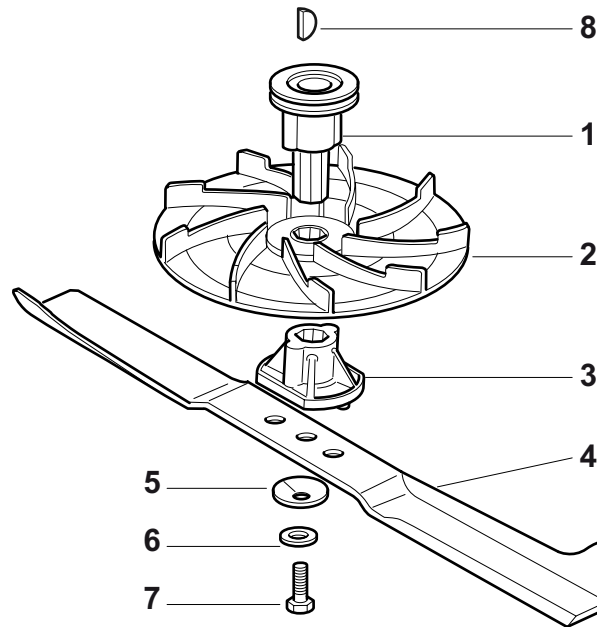
POS.	CODE	Q.TY	DESCRIZIONE	DESCRIPTION	DESCRIPTION	BESCHREIBUNG	REMARKS
1	22120105/1	2	Corona	Ring Gear	Couronne	Kranz	
2	22600091/1	1	Prot. Ruote	Protection, Wheel	Protection Roue	Schütz, Räder	
3	12608600/0	4	Seeger	Seeger	Seeger	Seeger	
4	22570120/1	1	Pignone Sx	Pinion L	Pignon G	Ritzel Linkes	
5	19216035/0	2	Cuscinetto	Bearing	Coussinet	Lager	
6	22600090/0	1	Prot. Ruota Dx	Protection, R Wheel	Protection Roue D	Schütz, Räder	
7	81000149/0	1	Asse Ruote Posteriori	Axle, Rear Wheels	Axe Roues Arriere	Achse, Hinterrad	
8	22570110/1	1	Pignone Dx	Pinion R	Pignon D	Ritzel Rechtes	
10	81000674/0	1	Comando Trazione	Rear Drive	Commande Traction	Antriebkabel	
11	81003099/0	1	Gruppo Trazione	Gear Box	Groupe Traction	Antrieb	
12	22601904/0	1	Puleggia	Pulley	Poulie	Riemenscheibe	
13	12645705/0	1	Spina	Pin	Goupille	Stift	
15	35064100/0	1	Cinghia Z 30	Belt Z 30	Courroie Z 30	Riemen Z 30	
16	22753000/0	2	Spina	Pin	Goupille	Stift	
20	22785111/1	1	Supporto Gruppo	Support, Gear Box	Support Gr.	Halter, Antrieb	
21	12728507/0	1	Vite	Screw	Vis	Schraube	
22	12793850/0	1	Vite	Screw	Vis	Schraube	
23	12293200/0	2	Dado	Nut	Ecrou	Mutter	
24	12521350/0	1	Rosetta	Washer	Rondelle	Scheibe	
26	12728518/0	1	Vite	Screw	Vis	Schraube	

**T 484****TR****TR-E**

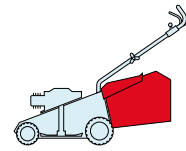
2009

**4\_005**

1 / 1



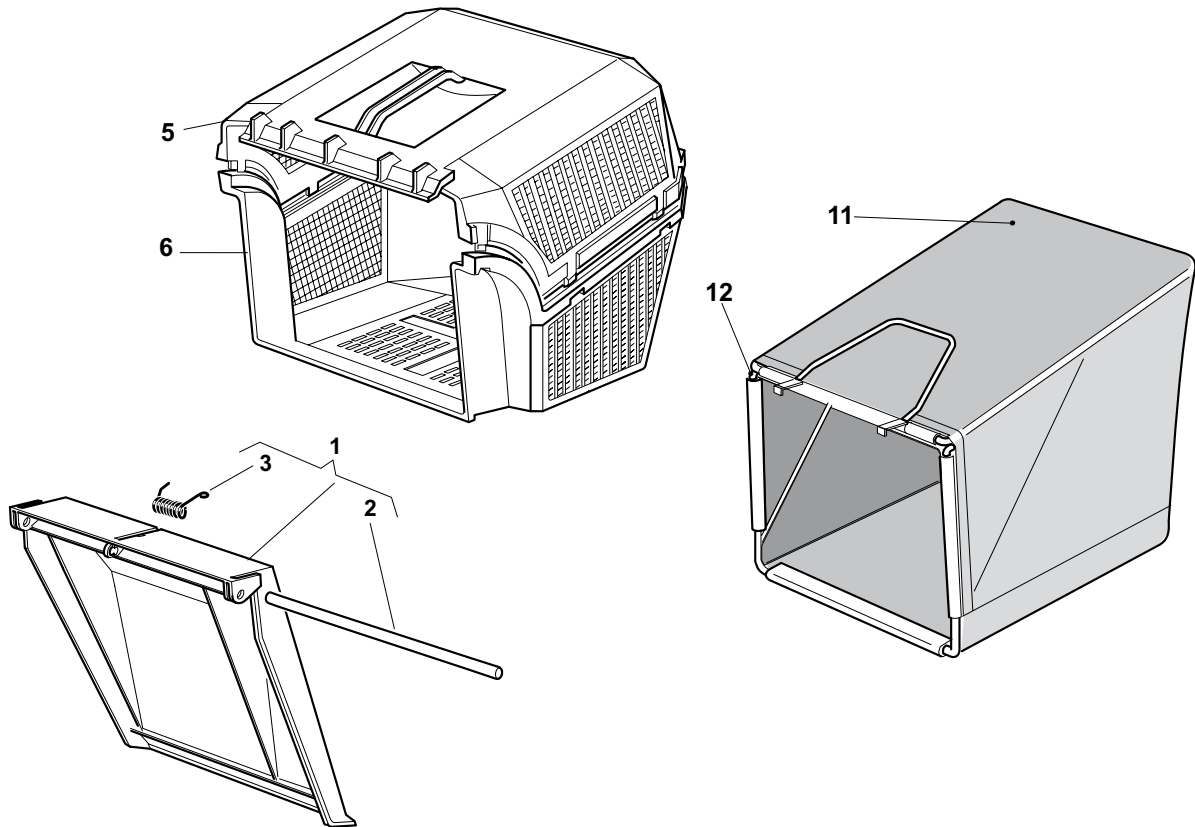
POS.	CODE	Q.TY	DESCRIZIONE	DESCRIPTION	DESCRIPTION	BESCHREIBUNG	REMARKS
1	22465605/0	1	Mozzo Girante, Albero Motore Ø 22.2	Hub Fan, Crankshaft Ø 22.2	Moyeu Ventilateur, Arbre Moteur Ø 22.2	Läufendenabe, Motorwelle Ø 22.2	
1	122465606/1	1	Mozzo Girante, Albero Motore Ø 25	Hub Fan, Crankshaft Ø 25	Moyeu Ventilateur, Arbre Moteur Ø 25	Läufendenabe, Motorwelle Ø 25	
2	22245080/0	1	Girante	Fan	Ventilateur	Lüfter	
3	22465604/0	1	Mozzo	Hub	Moyeu	Halter	
4	81004346/3	1	Coltello Standard	Blade Standard	Lame Standard	Messer Standard	484
4	81004397/0	1	Coltello Alettato	Blade Winged	Lame Ailette	Messer Flügel	484
5	22160400/0	1	Disco Elastico	Elastic Washer	Rondelle Elastique	Elastischescheibe	
6	12523080/0	1	Rosetta	Washer	Rondelle	Scheibe	
7	12736820/0	1	Vite	Screw	Vis	Schraube	
8	12139100/0	1	Linguetta, Albero Motore Ø 22.2	Feather, Crankshaft Ø 22.2	Clavette, Arbre Moteur Ø 22.2	Keil, Motorwelle Ø 22.2	
8	12139150/0	1	Linguetta, Albero Motore Ø 25	Feather, Crankshaft Ø 25	Clavette, Arbre Moteur Ø 25	Keil, Motorwelle Ø 25	

**T 484****TR****TR-E**

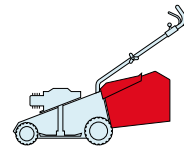
2009

**4\_006**

1 / 1



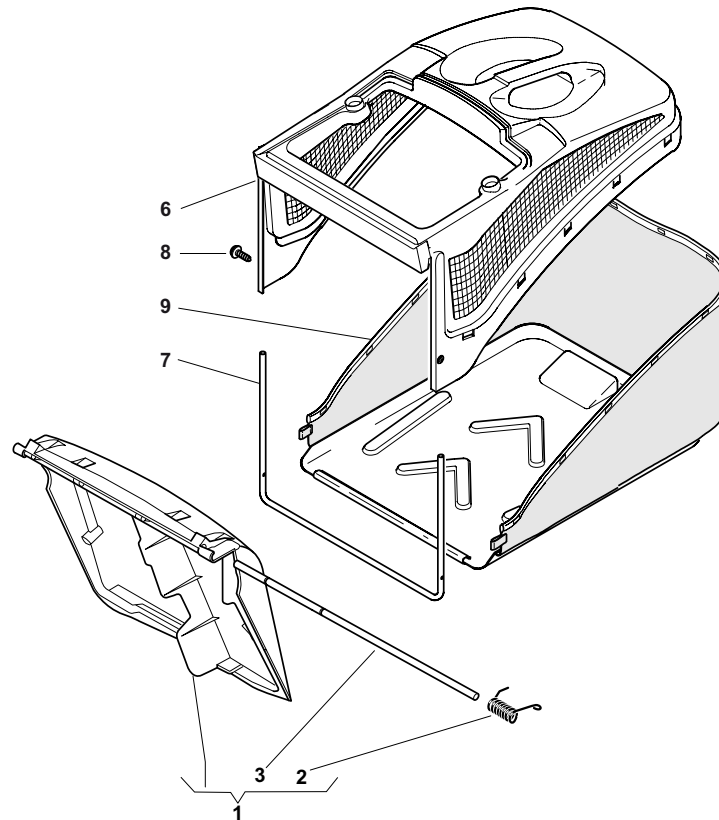
POS.	CODE	Q.TY	DESCRIZIONE	DESCRIPTION	DESCRIPTION	BESCHREIBUNG	REMARKS
1	381008041/0	1	Parasassi	Stone-Guard	Pare-Pierres	Prallblech	
2	22450270/0	1	Molla	Spring	Ressort	Feder	
3	22517907/0	1	Perno	Pin	Pivot	Bolzen	
5	22486065/0	1	Sacco, Parte Sup	Grass-Box, Upper	Sac, Partie Superieure	Korb, Oberteil	
5	22486064/0	1	Sacco, Parte Inf	Grass-Box, Lower	Sac, Partie Inferieure	Korb, Unterteil	
11	81002124/1	1	Sacco, Tela	Box, Fabric	Sac, Toile	Sack, Tuck	
12	81006430/0	1	Telaio Sacco	Chassis Box	Châssis Bac	Rahmen Sack	

**T 484****TR****TR-E**

2009

**4\_007**

1 / 1

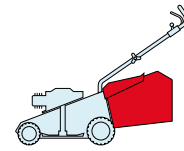


POS.	CODE	Q.TY	DESCRIZIONE	DESCRIPTION	DESCRIPTION	BESCHREIBUNG	REMARKS
1	381008042/0	1	Parasassi	Stone-Guard	Pare-Pierres	Prallblech	
2	22451000/0	1	Molla	Spring	Ressort	Feder	
3	22517907/0	1	Perno	Pin	Pivot	Bolzen	
6	22486094/0	1	Sacco, Parte Sup	Grass-Box, Upper	Sac, Partie	Korb, Oberteil	
7	22608524/0	1	Rinforzo Inf	Stiffening Lower	Réinforcement Inf	Verstärkung	
8	12728445/0	2	Vite	Screw	Vis	Schraube	
9	81002196/0	1	Sacco, Tela	Box, Fabric	Sac, Toile	Sack, Tuck	

T 484

TR

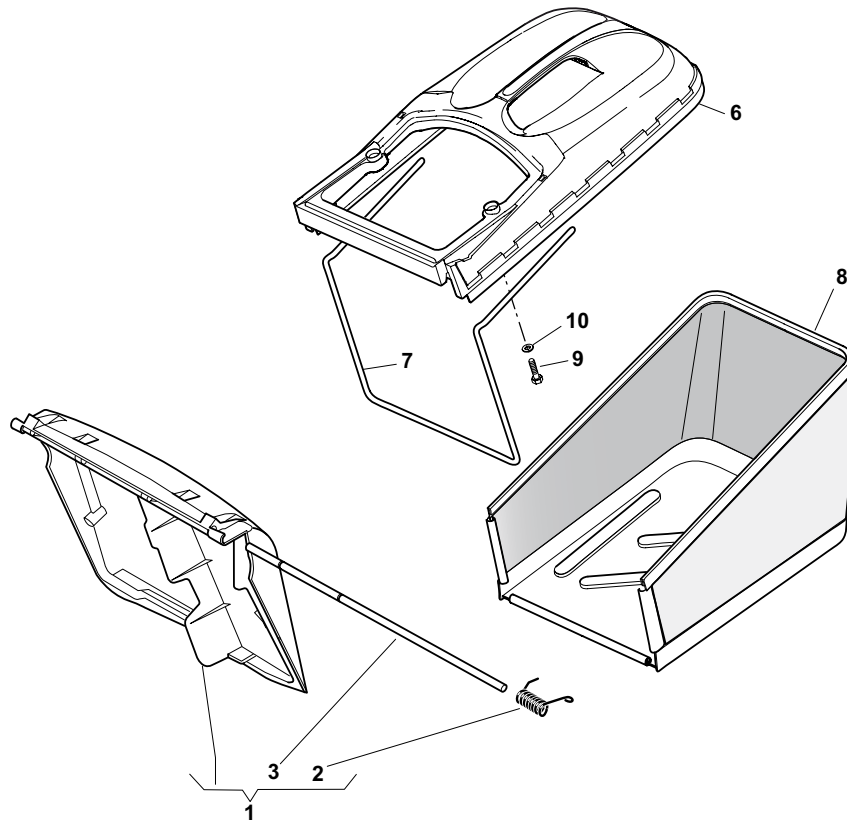
TR-E



2009

4\_008

1 / 1



POS.	CODE	Q.TY	DESCRIZIONE	DESCRIPTION	DESCRIPTION	BESCHREIBUNG	REMARKS
1	381008042/0	1	Parasassi	Stone-Guard	Pare-Pierres	Prallblech	
2	22451000/0	1	Molla	Spring	Ressort	Feder	
3	22517857/0	1	Perno	Pin	Pivot	Bolzen	
6	22486102/0	1	Sacco, Parte Sup	Grass-Box, Upper	Sac, Partie	Korb, Oberteil	
7	22608526/0	1	Rinforzo Inf	Stiffening Lower	Réinforcement Inf	Verstärkung	
8	81002212/0	1	Sacco, Tela	Box, Fabric	Sac, Toile	Sack, Tuck	
9	12728680/0	2	Vite	Screw	Vis	Schraube	
10	12523050/0	2	Rosetta	Washer	Rondelle	Scheibe	