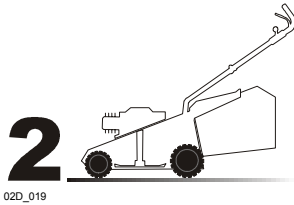


01T.042

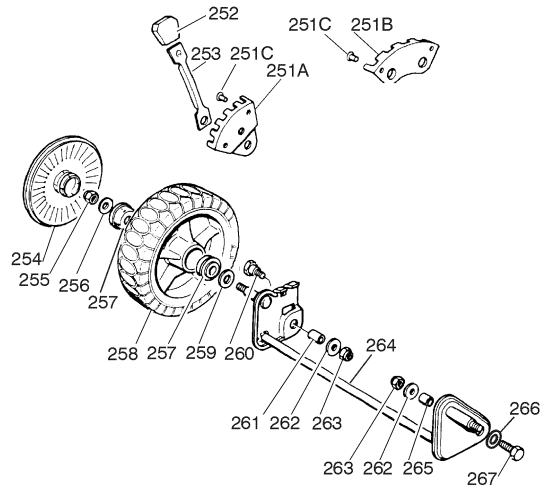
| Pos. | Code | Q.ty | Descrizione | Description | Description | Beschreibung | Remarks |
|------|------------|------|----------------|------------------|----------------------|-----------------|---------|
| 1 | 81001416/1 | 1 | CHASSIS ROSSO | DECK RED | CHÂSSIS ROUGE | GEHÄUSE ROTES | |
| - | 81001418/1 | 1 | CHASSIS GIALLO | DECK YELLOW | CHÂSSIS JAUNE | GEHÄUSE GELBES | |
| - | 81001422/1 | 1 | CHASSIS VERDE | DECK GREEN | CHÂSSIS VERT | GEHÄUSE GRÜNES | |
| 2 | 22060172/0 | 1 | CARTER CINGHIA | PROTECTION, BELT | PROTECTION COURROIRE | SCHUTZ, RIEMEN | |
| 3 | 12728680/0 | 2 | VITE | SCREW | VIS | SCHRAUBE | |
| 4 | 22040265/0 | 3 | BUSSOLA | BUSH | DOUILLE | BUCHSE | |
| 5 | 22167840/0 | 3 | DISTANZIALE | SPACER | ENTRETOISE | DISTANZRING | |
| 6 | 12691800/0 | 3 | VITE | SCREW | VIS | SCHRAUBE | |
| 7 | 12523070/0 | 3 | RONDELLA | WASHER | RONDELLE | SCHEIBE | |
| 8 | 12155000/0 | 3 | DADO | NUT | ECROU | MUTTER | |
| 9 | 22484070/0 | 1 | PARACALORE | MUFFLER GUARD | GRILLE DE PROTECTION | SCHUTZABDECKUNG | |
| 10 | 22545152/0 | 2 | PIASTRINA | PLATE | PLAQUETTE | PLATTE | |
| 10A | 22545154/0 | 2 | PIASTRINA DX | PLATE, R | PLAQUETTE D | PLATTE, RECHTE | |
| 11 | 12735402/0 | 1 | VITE | SCREW | VIS | SCHRAUBE | |
| 12 | 12691900/0 | 2 | VITE | SCREW | VIS | SCHRAUBE | |

| Pos. | Code | Q.ty | Descrizione | Description | Description | Beshreibung | Remarks |
|------|------------|------|----------------------------|----------------------------|--------------------------------|------------------------|-------------------------|
| 13 | 12521350/0 | 4 | RONDELLA | WASHER | RONDELLE | SCHEIBE | |
| 14 | 22600043/0 | 1 | PROT. MANICO SX | PROTECTION, L HANDLE | PROTECTION MANCHERON G | SCHUTZ, LINKERHOLM | |
| 15 | 22600023/2 | 1 | PARASASSI | STONE-GUARD | PARE-PIERRES | PRALLBLECH | |
| 16 | 22517907/0 | 1 | PERNO | PIN | PIVOT | BOLZEN | |
| 17 | 81006917/0 | 2 | MANICO, PARTE INF SX | HANDLE, L LOWER PART | MANCHERON, PARTIE INFERIEURE G | HOLM, LINKE UNTERTEIL | |
| 18 | 18566110/0 | 2 | PUNTALE | CAP | BOUCHON | GUMMISTOPFEN | |
| 19 | 81007160/0 | 1 | CAVO ACCELERATORE | CABLE, TROTTLE | CABLE, ACCELERATEUR | KABE, BESCHLEUNIGER | |
| 20 | 81000621/1 | 1 | CAVO FRENO MOTORE | CABLE, THREAD MOTOR BRAKE | CABLE FREIN MOTEUR | KABEL, MOTORBREMSE | (B&S CLASSIC/SPRINT/LS) |
| - | 81001105/1 | 1 | CAVO FRENO MOTORE | CABLE, THREAD MOTOR BRAKE | CABLE FREIN MOTEUR | KABEL, MOTORBREMSE | (B&S QUANTUM-ES 40) |
| - | 81000639/0 | 1 | CAVO FRENO MOTORE | CABLE, THREAD MOTOR BRAKE | CABLE FREIN MOTEUR | KABEL, MOTORBREMSE | (HONDA GCV 135/160) |
| - | 81000622/2 | 1 | CAVO FRENO MOTORE | CABLE, THREAD MOTOR BRAKE | CABLE FREIN MOTEUR | KABEL, MOTORBREMSE | (TECUMSEH) |
| 21 | 12728460/0 | 1 | VITE | SCREW | VIS | SCHRAUBE | |
| 22 | 12154510/0 | 2 | DADO | NUT | ECROU | MUTTER | |
| 23 | 12523040/0 | 2 | RONDELLA | WASHER | RONDELLE | SCHEIBE | |
| 24 | 22041965/0 | 2 | BUSSOLA | BUSH | DOUILLE | BUCHSE | |
| 25 | 81003288/1 | 1 | LEVA TRAZIONE | LEVER, DRIVING | LEVIER TRACTION | HEBEL, ANTRIEB | |
| 26 | 22291050/0 | 1 | IMPUGNATURA MANICO NERA | HANDGRIP BLACK | POIGNÉE NOIRE | HANDGRIFF SCHWARZER | |
| - | 22291051/0 | 1 | IMPUGNATURA MANICO ROSSA | HANDGRIP RED | POIGNÉE ROUGE | HANDGRIFF RÖTER | |
| - | 22291052/0 | 1 | IMPUGNATURA MANICO GIALLA | HANDGRIP YELLOW | POIGNÉE JAUNE | HANDGRIFF GELBER | |
| 27 | 81007280/2 | 1 | LEVA, ACCELERATORE | LEVER, THROTTLE | LEVIER, ACCELERATEUR | HEBEL, BESHLEUNIGER | |
| 28 | 81003291/2 | 1 | LEVA FRENO MOTORE | LEVER, MOTOR BRAKE | LEVIER FREIN MOTEUR | HEBEL, MOTORBREMSE | |
| 29 | 18450050/0 | 1 | INTERRUPTORE | SWITCH | INTERRUPTEUR | SCHALTER | |
| 30 | 22041966/0 | 2 | BUSSOLA | BUSH | DOUILLE | BUCHSE | |
| 31 | 22981467/0 | 1 | PIASTRINA | PLATE | PLAQUETTE | PLATTE | |
| 32 | 12735105/0 | 2 | VITE | SCREW | VIS | SCHRAUBE | |
| 33 | 12530060/0 | 2 | RONDELLA ELASTICA | ELASTIC WASHER | RONDELLE ELASTIQUE | ELASTISCHE SCHEIBE | |
| 34 | 22943006/0 | 1 | VITE | SCREW | VIS | SCHRAUBE | |
| 35 | 18204192/0 | 1 | CAVO AVVIAMENTO | CABLE, START | CABLE DÉMARRAGE | KABEL, START | (B&S) |
| - | 18204190/2 | 1 | CAVO AVVIAMENTO | CABLE, START | CABLE DÉMARRAGE | KABEL, START | (TECUMSEH) |
| 36 | 12154330/0 | 1 | DADO | NUT | ECROU | MUTTER | |
| 37 | 22120152/0 | 1 | CRUSCOTTO GIALLO | DASH BOARD YELLOW | CONSOLE JAUNE | KONSOLE GELBE | |
| - | 22120154/0 | 1 | CRUSCOTTO ROSSO | DASH BOARD RED | CONSOLE ROUGE | KONSOLE ROTE | |
| - | 22120158/0 | 1 | CRUSCOTTO NERO | DASH BOARD BLACK | CONSOLE NOIRE | KONSOLE SCHWARZE | |
| 38 | 22430309/0 | 1 | MOLLA GUIDA | GUIDE SPRING | RESSORT DE GUIDE | FEDER FÜHRER | |
| 39 | 81006857/0 | 1 | MANICO, PARTE SUP | HANDLE, UPPER PART | MANCHERON, PARTIE SUPERIEURE | HOLM, OBERTEIL | |
| 40 | 18120050/0 | 1 | BATTERIA | BATTERY | BATTERIE | BATTERIE | |
| 41 | 12728680/0 | 2 | VITE | SCREW | VIS | SCHRAUBE | |
| 42 | 22807640/0 | 1 | SUPPORTO BATTERIA | SUPPORT, BATTERY | SUPPORT BATTERIE | HALTER, BATTERIE | |
| 43 | 18204110/0 | 1 | CARICA BATTERIA | BATTERY CHARGER | CHARGEUR DE BATTERIE | LADGERÄT | |
| 44 | 12691400/0 | 2 | VITE | SCREW | VIS | SCHRAUBE | |
| 45 | 22600042/0 | 1 | PROT. MANICO DX | PROTECTION, R HANDLE | PROTECTION MANCHERON D | SCHUTZ, RECHTERHOLM | |
| 46 | 22551632/1 | 2 | PIASTRINA FISSAGGIO MANICO | PLATE FOR HANDLE FASTENING | PLAQUETTE FIXAGE MANCHERON | PLATTE HOLMBEFESTIGUNG | |
| 47 | 22450270/0 | 1 | MOLLA | SPRING | RESSORT | FEDER | |
| 48 | 12819120/0 | 2 | VITE | SCREW | VIS | SCHRAUBE | |
| 49 | 22680006/1 | 2 | RONDELLA | WASHER | RONDELLE | SCHEIBE | |
| 50 | 22399900/0 | 2 | MANOPOLINA | KNOB | POIGNÉE | GRIFF | |
| 51 | 12293200/0 | 1 | DADO | NUT | ECROU | MUTTER | |
| 52 | 12791500/0 | 1 | VITE | SCREW | VIS | SCHRAUBE | |
| 70 | 14356693/0 | 1 | ETICHETTA | LABEL | ETIQUETTE | ETIKETTE | (B&S) |

| Pos. | Code | Q.ty | Descrizione | Description | Description | Beschreibung | Remarks |
|------|------------|------|-----------------------------|---------------------------|------------------------------|-------------------------|-------------------------|
| 70 | 14356692/0 | 1 | ETICHETTA | LABEL | ETIQUETTE | ETIKETTE | (TECUMSEH) |
| 101 | 81007026/0 | 1 | MANICO, PARTE SUP | HANDLE, UPPER PART | MANCHERON, PARTIE SUPERIEURE | HOLM, OBERTEIL | |
| 102 | 22430309/0 | 1 | MOLLA GUIDA | GUIDE SPRING | RESSORT DE GUIDE | FEDER FÜHRER | |
| 103 | 22120148/0 | 1 | CRUSCOTTO GIALLO | DASH BOARD YELLOW | CONSOLE JAUNE | KONSOLE GELBE | |
| - | 22120150/0 | 1 | CRUSCOTTO ROSSO | DASH BOARD RED | CONSOLE ROUGE | KONSOLE ROTE | |
| - | 22120164/0 | 1 | CRUSCOTTO NERO | DASH BOARD BLACK | CONSOLE NOIRE | KONSOLE SCHWARZE | |
| 104 | 81003291/2 | 1 | LEVA FRENO MOTORE | LEVER, MOTOR BRAKE | LEVIER FREIN MOTEUR | HEBEL, MOTORBREMSE | |
| 105 | 22291050/0 | 1 | IMPUGNATURA MANICO NERA | HANDGRIP BLACK | POIGNÉE NOIRE | HANDGRIFF SCHWARZER | |
| - | 22291051/0 | 1 | IMPUGNATURA MANICO ROSSA | HANDGRIP RED | POIGNÉE ROUGE | HANDGRIFF RÖTER | |
| - | 22291052/0 | 1 | IMPUGNATURA MANICO GIALLA | HANDGRIP YELLOW | POIGNÉE JAUNE | HANDGRIFF GELBER | |
| 106 | 12726388/0 | 1 | VITE | SCREW | VIS | SCHRAUBE | |
| 107 | 22399801/0 | 1 | MANOPOLINA | KNOB | POIGNÉE | GRIFF | |
| 108 | 81007138/0 | 1 | CAVO ACCELERATORE | CABLE, TROTTLER | CABLE, ACCELERATEUR | KABEL, BESCHLEUNIGER | |
| 109 | 81003288/1 | 1 | LEVA TRAZIONE | LEVER, DRIVING | LEVIER TRACTION | HEBEL, ANTRIEB | |
| 110 | 22041965/0 | 2 | BUSSOLA | BUSH | DOUILLE | BUCHSE | |
| 111 | 12788910/0 | 2 | VITE | SCREW | VIS | SCHRAUBE | |
| 112 | 12728460/0 | 1 | VITE | SCREW | VIS | SCHRAUBE | |
| 113 | 22041966/0 | 2 | BUSSOLA | BUSH | DOUILLE | BUCHSE | |
| 114 | 18450050/0 | 1 | INTERRUTTORE | SWITCH | INTERRUPTEUR | SCHALTER | |
| 115 | 12290800/0 | 1 | DADO | NUT | ECROU | MUTTER | |
| 116 | 14356693/0 | 1 | ETICHETTA | LABEL | ETIQUETTE | ETIKETTE | (B&S) |
| - | 14356692/0 | 1 | ETICHETTA | LABEL | ETIQUETTE | ETIKETTE | (TECUMSEH) |
| 117 | 22943006/0 | 1 | VITE | SCREW | VIS | SCHRAUBE | |
| 118 | 18204192/0 | 1 | CAVO AVVIAMENTO | CABLE, START | CABLE DÉMARRAGE | KABEL, START | (B&S) |
| - | 18204190/2 | 1 | CAVO AVVIAMENTO | CABLE, START | CABLE DÉMARRAGE | KABEL, START | (TECUMSEH) |
| 119 | 12154330/0 | 1 | DADO | NUT | ECROU | MUTTER | |
| 120 | 12819120/0 | 2 | VITE | SCREW | VIS | SCHRAUBE | |
| 121 | 22680006/1 | 2 | RONDELLA | WASHER | RONDELLE | SCHEIBE | |
| 122 | 22399900/0 | 2 | MANOPOLINA | KNOB | POIGNÉE | GRIFF | |
| 123 | 12293200/0 | 1 | DADO | NUT | ECROU | MUTTER | |
| 124 | 81000621/1 | 1 | CAVO FRENO MOTORE | CABLE, THREAD MOTOR BRAKE | CABLE FREIN MOTEUR | KABEL, MOTORBREMSE | (B&S CLASSIC/SPRINT/LS) |
| - | 81001105/1 | 1 | CAVO FRENO MOTORE | CABLE, THREAD MOTOR BRAKE | CABLE FREIN MOTEUR | KABEL, MOTORBREMSE | (B&S QUANTUM/ES 40) |
| - | 81000639/0 | 1 | CAVO FRENO MOTORE | CABLE, THREAD MOTOR BRAKE | CABLE FREIN MOTEUR | KABEL, MOTORBREMSE | (HONDA GCV 135/160) |
| - | 81000622/2 | 1 | CAVO FRENO MOTORE | CABLE, THREAD MOTOR BRAKE | CABLE FREIN MOTEUR | KABEL, MOTORBREMSE | (TECUMSEH) |
| 125 | 12291000/0 | 2 | DADO | NUT | ECROU | MUTTER | |
| 126 | 12581500/0 | 2 | GROWER | GROWER | GROWER | FEDERRING | |
| 127 | 12523020/0 | 2 | RONDELLA | WASHER | RONDELLE | SCHEIBE | |
| — | 81008499/1 | 1 | DOTAZIONE VITERIA CRUSCOTTO | OUTFIT, DASH-BOARD SCREWS | DOTATION VISSERIE CONSOLLE | SATZ, KONSOLE SCHRAUBEN | |
| — | 81008606/1 | 1 | DOTAZIONE VITERIA | OUTFIT, SCREWS | DOTATION VISSERIE | SATZ, SCHRAUBEN | |
| — | 81008499/1 | 1 | DOTAZIONE VITERIA CRUSCOTTO | OUTFIT, DASH-BOARD SCREWS | DOTATION VISSERIE CONSOLLE | SATZ, KONSOLE SCHRAUBEN | |

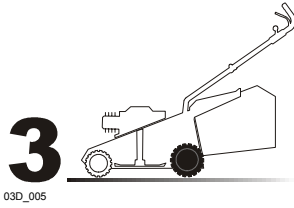


02D_019

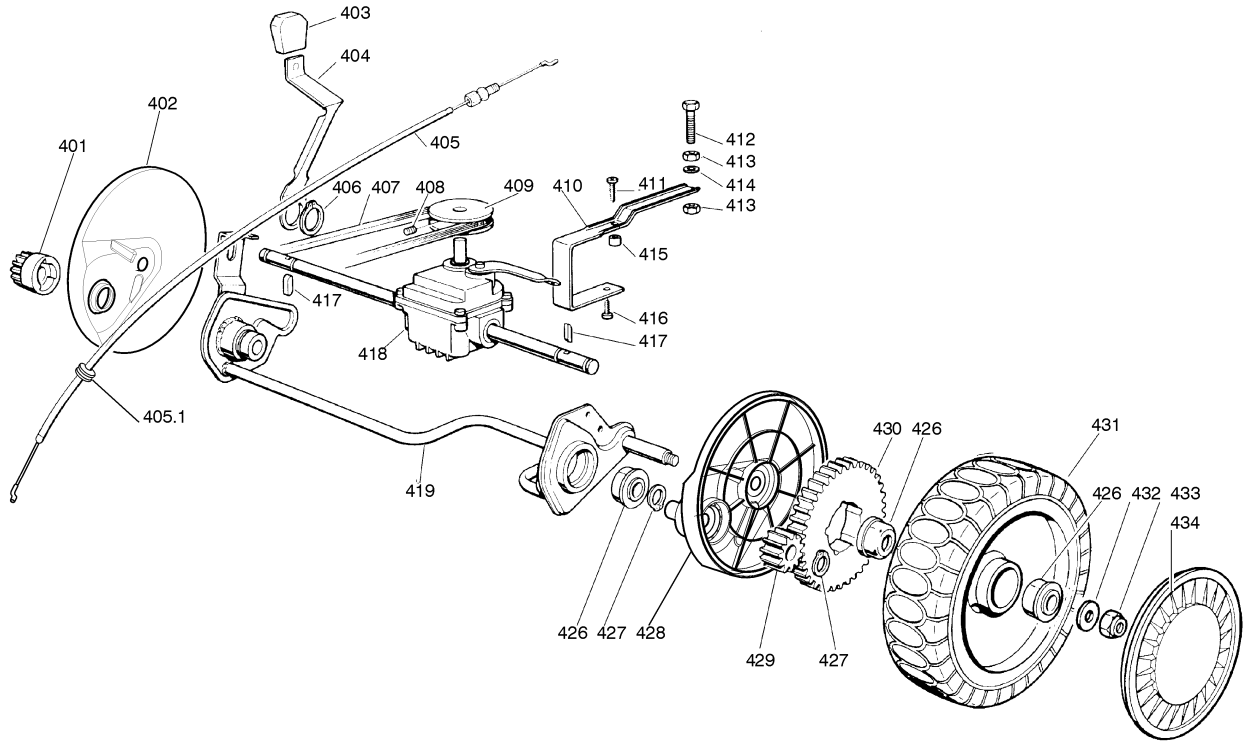


02T_027

| Pos. | Code | Q.ty | Descrizione | Description | Description | Beschreibung | Remarks |
|------|------------|------|-----------------------------|---------------------------|-------------------------|-------------------------|---------|
| 251A | 22735535/0 | 1 | SETTORE REGOLAZIONE ALTEZZA | SECTOR, HEIGHT ADJUSTMENT | SECTEUR REGLAGE HAUTEUR | SEKTOR, HÖHEVERSTELLUNG | |
| 251B | 22735508/0 | 1 | SETTORE REGOLAZIONE ALTEZZA | SECTOR, HEIGHT ADJUSTMENT | SECTEUR REGLAGE HAUTEUR | SEKTOR, HÖHEVERSTELLUNG | |
| 251C | 12500070/0 | 3 | RIVETTO | RIVET | RIVET | NIETE | |
| 252 | 22400000/1 | 2 | MANOPOLINA | KNOB | POIGNÉE | GRIFF | |
| 253 | 22321502/0 | 1 | LEVA REGOLAZIONE ALTEZZA | LEVER, HEIGHT ADJUSTMENT | LEVIER REGLAGE HAUTEUR | HEBEL, HÖNEVERSTELLUNG | |
| 254 | 22110282/0 | 2 | COPRIMOZZO BIANCO | HUB CAP WHITE | COUVRE-MOYEU BLANC | RADKAPPE WEIßE | |
| - | 22110288/0 | 2 | COPRIMOZZO GIALLO | HUB CAP YELLOW | COUVRE-MOYEU JAUNE | RADKAPPE GELBE | |
| - | 22110290/0 | 2 | COPRIMOZZO ROSSO | HUB CAP RED | COUVRE-MOYEU ROUGE | RADKAPPE ROTE | |
| 255 | 12155000/0 | 2 | DADO | NUT | ECROU | MUTTER | |
| 256 | 12521350/0 | 2 | RONDELLA | WASHER | RONDELLE | SCHEIBE | |
| 257 | 22122200/0 | 4 | CUSCINETTO | BEARING | COUSSINET | LAGER | |
| 258 | 81007337/0 | 4 | RUOTA SCOLPITA Ø 210 | WHEEL, KNOBBLY Ø 210 | ROUE SCULPTEE Ø 210 | RAD M. STOLLENPR. Ø 210 | |
| 259 | 12530150/0 | 4 | RONDELLA ELASTICA | ELASTIC WASHER | RONDELLE ELASTIQUE | ELASTISCHE SCHEIBE | |
| 260 | 22519510/0 | 1 | PERNO | PIN | PIVOT | BOLZEN | |
| 261 | 22170950/0 | 1 | DISTANZIALE DX | R SPACER | ENTRETOISE D | RECHTER DISTANZRING | |
| 262 | 12523060/0 | 2 | RONDELLA | WASHER | RONDELLE | SCHEIBE | |
| 263 | 12155000/0 | 2 | DADO | NUT | ECROU | MUTTER | |
| 264 | 81001410/0 | 1 | ASSE RUOTE ANTERIORE | AXLE, FRONT WHEELS | AXE ROUES AVANT | ACHSE, VORDERRAD | |
| 265 | 22519515/0 | 1 | DISTANZIALE SX | L SPACER | ENTRETOISE G | LINKER DISTANZRING | |
| 266 | 12521350/0 | 4 | RONDELLA | WASHER | RONDELLE | SCHEIBE | |
| 267 | 12691100/0 | 1 | VITE | SCREW | VIS | SCHRAUBE | |



03D_005



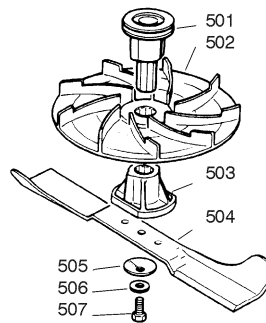
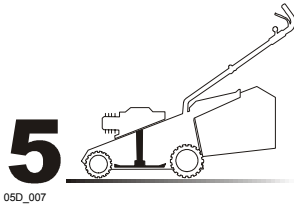
03T.011

| Pos. | Code | Q.ty | Descrizione | Description | Description | Beschreibung | Remarks |
|-------|------------|------|--------------------------|--------------------------|------------------------|------------------------|---------|
| 401 | 22570110/1 | 1 | PIGNONE DX | PINION R | PIGNON D | RITZEL RECHTES | |
| 402 | 22600090/0 | 1 | PROT. RUOTA DX | PROTECTION, R WHEEL | PROTECTION ROUE D | SCHÜTZ, RÄDER RECHTES | |
| 403 | 22400000/1 | 1 | MANOPOLINA | KNOB | POIGNÉE | GRIFF | |
| 404 | 22321497/0 | 1 | LEVA REGOLAZIONE ALTEZZA | LEVER, HEIGHT ADJUSTMENT | LEVIER REGLAGE HAUTEUR | HEBEL, HÖNEVERSTELLUNG | |
| 405 | 81000647/0 | 1 | COMANDO TRAZIONE | REAR DRIVE | COMMANDE TRACTION | ANTRIEBKABEL | |
| 405.1 | 18564516/0 | 1 | PASSACAVO | ?? | ?? | ?? | |
| 406 | 12609260/0 | 1 | ANELLO ARRESTO | RING | ANNEAU DE TENNUE | RING | |
| 407 | 35064100/0 | 1 | CINGHIA Z 30 | BELT Z 30 | COURROIE Z 30 | RIEMEN Z 30 | |
| 408 | 12645705/0 | 1 | SPINA | PIN | GOUPILLE | STIFT | |
| 409 | 22601904/0 | 1 | PULEGGIA | PULLEY | POULIE | RIEMENSCHIBE | |
| 410 | 22785111/1 | 1 | SUPPORTO GRUPPO TRAZIONE | SUPPORT, GEAR BOX | SUPPORT GR. TRACTION | HALTER, ANTRIEB | |
| 411 | 12728507/0 | 1 | VITE | SCREW | VIS | SCHRAUBE | |
| 412 | 12793850/0 | 1 | VITE | SCREW | VIS | SCHRAUBE | |
| 413 | 12293200/0 | 1 | DADO | NUT | ECROU | MUTTER | |
| 414 | 12521350/0 | 1 | RONDELLA | WASHER | RONDELLE | SCHEIBE | |
| 416 | 12728518/0 | 1 | VITE | SCREW | VIS | SCHRAUBE | |
| 417 | 22753000/0 | 2 | SPINA | PIN | GOUPILLE | STIFT | |
| 418 | 18652031/1 | 1 | GRUPPO TRAZIONE | GEAR BOX | GROUPE TRACTION | ANTRIEB | |
| 419 | 81000149/0 | 1 | ASSE RUOTE POSTERIORE | AXLE, REAR WHEELS | AXE ROUES ARRIERE | ACHSE, HINTERRAD | |
| 426 | 19216035/0 | 4 | CUSCINETTO | BEARING | COUSSINET | LAGER | |

79

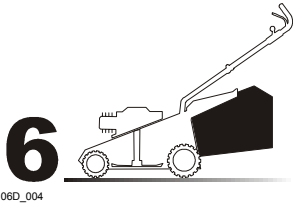
03T.011

| Pos. | Code | Q.ty | Descrizione | Description | Description | Beschreibung | Remarks |
|------|------------|------|----------------------|----------------------|---------------------|-------------------------|---------|
| 427 | 12608600/0 | 1 | SEEGER | SEEGER | SEEGER | SEEGER | |
| 428 | 22600091/0 | 1 | PROT. RUOTE | PROTECTION, WHEEL | PROTECTION ROUE | SCHÜTZ, RÄDER | |
| 429 | 22570120/1 | 1 | PIGNONE SX | PINION L | PIGNON G | RITZEL LINKES | |
| 430 | 22120105/1 | 2 | CORONA | RING GEAR | COURONNE | KRANZ | |
| 431 | 81007337/0 | 2 | RUOTA SCOLPITA Ø 210 | WHEEL, KNOBBLY Ø 210 | ROUE SCULPTEE Ø 210 | RAD M. STOLLENPR. Ø 210 | |
| 432 | 12369500/0 | 2 | RONDELLA | WASHER | RONDELLE | SCHEIBE | |
| 433 | 12155000/0 | 2 | DADO | NUT | ECROU | MUTTER | |
| 434 | 22110281/0 | 2 | COPRIMOZZO BIANCO | HUB CAP WHITE | COUVRE-MOYEU BLANC | RADKAPPE WEIßE | |
| - | 22110287/0 | 2 | COPRIMOZZO GIALLO | HUB CAP YELLOW | COUVRE-MOYEU JAUNE | RADKAPPE GELBE | |
| - | 22110289/0 | 2 | COPRIMOZZO ROSSO | HUB CAP RED | COUVRE-MOYEU ROUGE | RADKAPPE ROTE | |

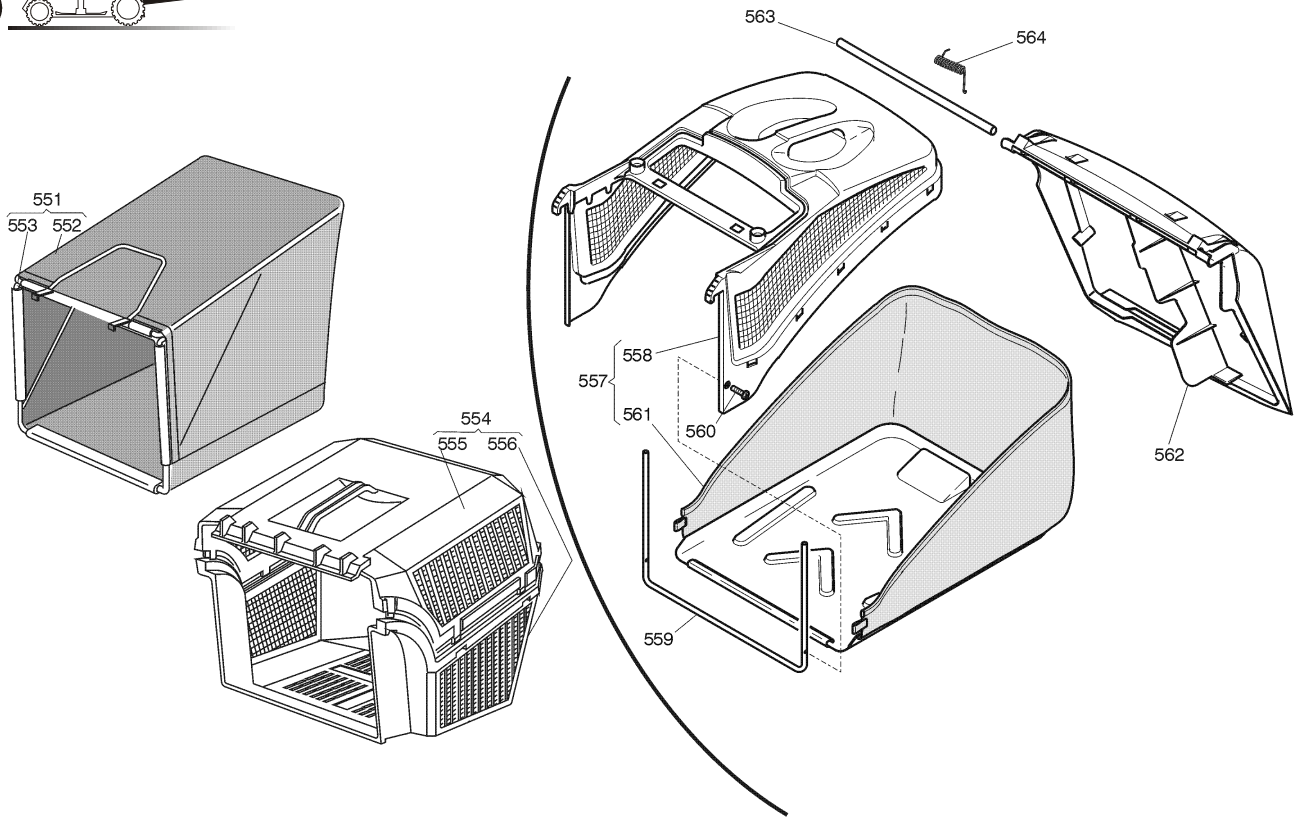


05T.019

| Pos. | Code | Q.ty | Descrizione | Description | Description | Beschreibung | Remarks |
|------|------------|------|-------------------|----------------|--------------------|--------------------|---------|
| 501 | 22465605/0 | 1 | MOZZO GIRANTE | HUB FAN | MOYEU VENTILATEUR | LÄUFENDENABE | |
| 502 | 22245080/0 | 1 | GIRANTE | FAN | VENTILATEUR | LÜFTER | |
| 503 | 22465604/0 | 1 | MOZZO | HUB | MOYEU | HALTER | |
| 504 | 81004346/3 | 1 | COLTELLO STANDARD | BLADE STANDARD | LAME STANDARD | MESSER STANDARD | |
| - | 81004397/0 | 1 | COLTELLO ALETTATO | BLADE WINGED | LAME AILETTÉE | MESSER FLÜGEL | |
| 505 | 22160400/0 | 1 | DISCO ELASTICO | ELASTIC WASHER | RONDELLE ELASTIQUE | ELASTISCHE SCHEIBE | |
| 506 | 12523080/0 | 1 | RONDELLA | WASHER | RONDELLE | SCHEIBE | |
| 507 | 12736820/0 | 1 | VITE | SCREW | VIS | SCHRAUBE | |



06D_004



06T_005

| Pos. | Code | Q.ty | Descrizione | Description | Description | Beschreibung | Remarks |
|------|------------|------|-------------------------|--------------------------------|------------------------|--------------------|---------|
| 551 | 96400000/0 | 1 | SACCO IN TELA, COMPLETO | GRASSCATCHER, CANVASS COMPLETE | SAC EN TOILE, COMPLETE | SACK, KOMPLETTE | |
| 552 | 81002124/1 | 1 | SACCO, TELA | BOX, FABRIC | SAC, TOILE | SACK, TUCK | |
| 553 | 81006430/0 | 1 | TELAIO SACCO | CHASSIS BOX | CHÂSSIS BAC | RAHMEN SACK | |
| 554 | 96500000/0 | 1 | SACCO, COMPLETO | GRASSCATCHER, COMPLETE | SAC, COMPLETE | SACK, KOMPLETTE | |
| 555 | 22486065/0 | 1 | SACCO, PARTE SUP | GRASS-BOX, UPPER PART | SAC, PARTIE SUPERIEURE | KORB, OBERTEIL | |
| 556 | 22486064/0 | 1 | SACCO, PARTE INF | GRASS-BOX, LOWER PART | SAC, PARTIE INFERIEURE | KORB, UNTERTEIL | |
| 557 | 92140000/1 | 1 | SACCO COMPLETO | GRASS-BOX, COMPLETE | BAC COMPLET | KORB, KOMPLETTE | |
| 558 | 22486094/0 | 1 | SACCO, PARTE SUP | GRASS-BOX, UPPER PART | SAC, PARTIE SUPERIEURE | KORB, OBERTEIL | |
| 559 | 22608524/0 | 1 | RINFORZO INF | STIFFENING LOWER | RÉNFORCEMENT INF | VERSTÄRKUNG UNTERE | |
| 560 | 12728445/0 | 1 | VITE | SCREW | VIS | SCHRAUBE | |
| 561 | 81002196/0 | 1 | SACCO, TELA | BOX, FABRIC | SAC, TOILE | SACK, TUCK | |
| 562 | 22600066/1 | 1 | PARASASSI | STONE-GUARD | PARE-PIERRRES | PRALLBLECH | |
| 563 | 22517907/0 | 1 | PERNO | PIN | PIVOT | BOLZEN | |
| 564 | 22451000/0 | 1 | MOLLA | SPRING | RESSORT | FEDER | |