

# Genuine Spare Parts

Catalogo delle parti di ricambio  
Spare parts catalogue  
Catalogue des pieces de rechange  
Ersatzteilkatalog

# 1999

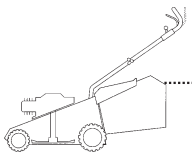
- Use GLOBAL GARDEN PRODUCT Genuine Spare Parts specified in the parts list for repair and/or replacement.
- The contents described in the parts list may change due to improvement.
- The drawings of the spare parts are only indicative and might not represent the part in question exactly.
- The indications "right" - "left" - "front" - "rear" refer to the position of the operator when using the machine.
- When placing orders of parts for repair and/or replacement, make sure that the illustrated parts list is the one applying to the machine's year of manufacture, as shown on the identification plate attached to the machine.

COPYRIGHT by GLOBAL GARDEN PRODUCTS

All rights reserved. No part of this material may be reproduced or transmitted, in any form or by any means, electronic or mechanical, including photocopying, recording or by any information storage and retrieval system, without permission in writing from GLOBAL GARDEN PRODUCTS.



**GLOBAL GARDEN PRODUCTS**



# T 484 TR

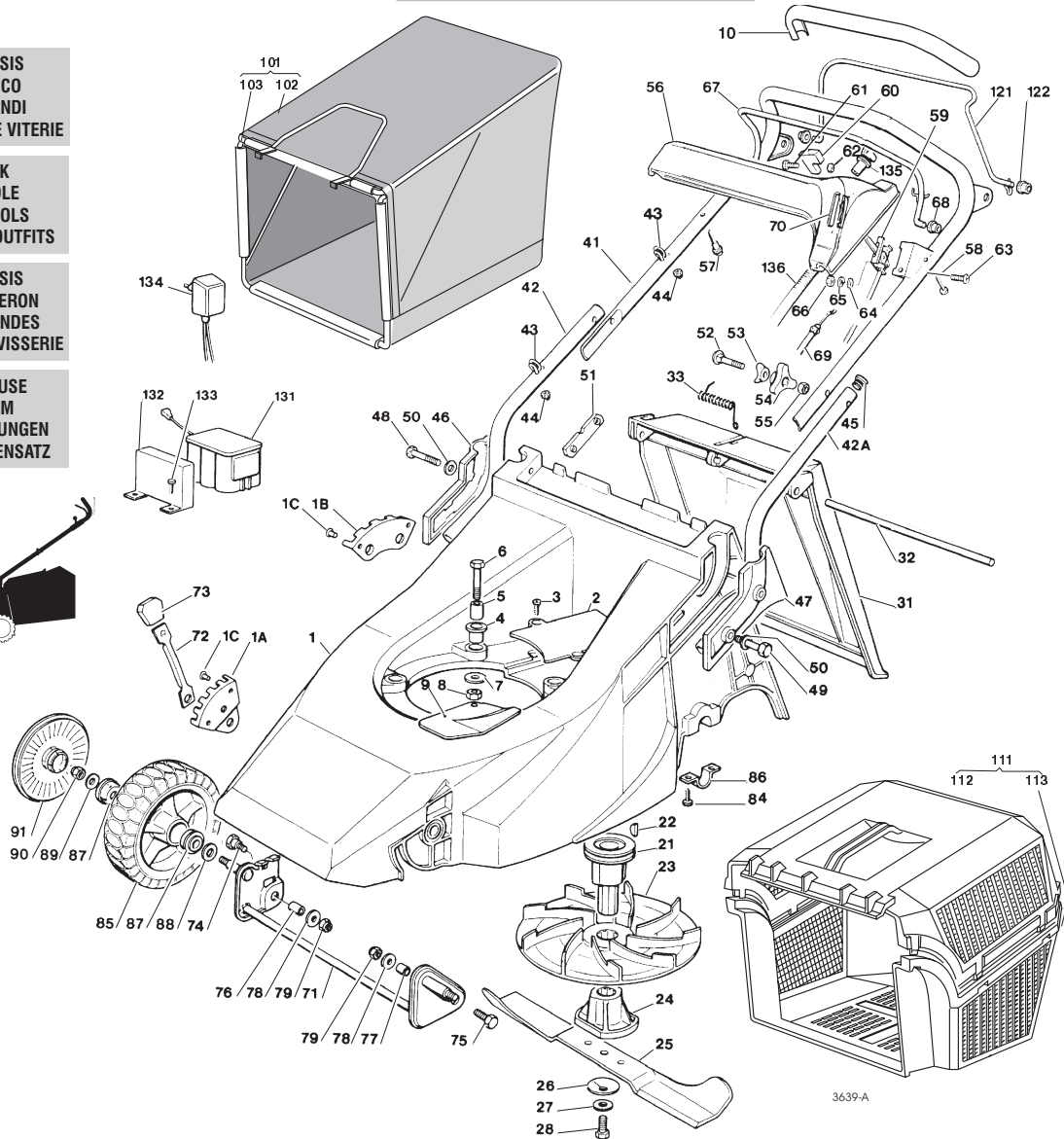
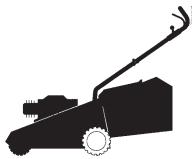
# T 484 TR-E

CHASSIS  
MANICO  
COMANDI  
DOTAZIONE VITERIE

DECK  
HANDLE  
CONTROLS  
SCREWS OUTFITS

CHÂSSIS  
MANCHERON  
COMMANDES  
DOTATION VISSERIE

GEHÄUSE  
HOLM  
BETÄTIGUNGEN  
SCRAUBENSATZ



SPARE PARTS CATALOGUE

ERSATZTEILKATALOG

GB

D

CATALOGO DELLE PARTI  
DI RICAMBIO

CATALOGUE DES AELLES  
DE RECHANGE

I


F

T-3639/A

Pos. Nr.	Codice Code Kodex	Q.tà Q.ty-Q.tè Menge	Descrizione	Description	Description	Beschreibung
1			CHASSIS	DECK	CHÂSSIS	GEHÄUSE
—	81001416/1	1	ROSSO	RED	ROUGE	ROTES
—	81001418/1	1	GIALLO	YELLOW	JAUNE	GELBES
—	81001422/1	1	VERDE	GREEN	VERT	GRÜNES
1A	22735535/0	1	SETTORE REGOLAZIONE	ADJUSTMENT SECTOR	SECTEUR REGLAGE	VERSTELLUNGSEKTOR
1B	22735508/0	1	SETTORE REGOLAZIONE	ADJUSTMENT SECTOR	SECTEUR REGLAGE	VERSTELLUNGSEKTOR
1C	12500070/0	3	RIVETTO	RIVET	RIVET	NIETE
2	22060172/0	1	CARTER CINGHIA	BELT PROTECTION	PROTECTION COURROIRE	RIEMENSCHUTZ
3	12728680/0	2	VITE	SCREW	VIS	SCHRAUBE
4	22040265/0	3	BUSSOLA	BUSH	DOUILLE	BUCHSE
5	22167840/0	3	DISTANZIALE	SPACER	ENTRETOISE	DISTANZRING
6	12691800/0	3	VITE	SCREW	VIS	SCHRAUBE
7	12523070/0	3	RONDELLA	WASHER	RONDELLE	SCHIBE
8	12155000/0	3	DADO	NUT	ECROU	MUTTER
9	22484070/0	1	PARACALORE	MUFFLER GUARD	GRILLE DE PROTECTION	SCHUTZABDECKUNG
			IMPUGNATURA MANICO	HANDGRIP	POIGNÉE	HANDGRIFF
10	22291050/0	1	NERA	BLACK	NOIRE	SCHWARZER
—	22291051/0	1	ROSSA	RED	ROUGE	RÖTER
—	22291052/0	1	GIALLA	YELLOW	JAUNE	GELBER
21	22465605/0	1	MOZZO GIRANTE	HUB FAN	MOYEU VENTILATEUR	LÄUFENDENABE
22	12139100/0	1	LINGUETTA	FEATHER	CLAVETTE	KEIL
23	22245080/0	1	GIRANTE	FAN	VENTILATEUR	LÜFTER
24	22465604/0	1	MOZZO	HUB	MOYEU	HALTER
25			COLTELLO	BLADE	LAME	MESSER
—	81004397/0	1	ALETTATO	WINGED	AILETTÉE	FLÜGEL
—	81004346/2	1	STANDARD	STANDARD	STANDARD	STANDARD
26	22160400/0	1	DISCO ELASTICO	ELASTIC WASHER	RONDELLE ELASTIQUES	ELASTISCHE SCHEIBE

Pos. Nr.	Codice Code Kodex	Q.tà Q.ty-Q.tè Menge	Descrizione	Description	Description	Beschreibung
27	12523080/0	1	RONDELLA	WASHER	RONDELLE	SCHEIBE
28	12736820/0	1	VITE	SCREW	VIS	SCHRAUBE
31	22600023/2	1	PARASASSI	STONE-GUARD	PARE-PIERRES	PRALLBLECH
32	22517907/0	1	PERNO	PIN	PIVOT	BOLZEN
33	22450270/0	1	MOLLA	SPRING	RESSORT	FEDER
41	81007026/0	1	PARTE SUPERIORE MANICO	UPPER HANDLE	PARTIE SUP. MANCHERON	OBERHOLM
42	81007015/0	1	MANICO INFERIORE DX	RIGHT LOWER HANDLE	PARTIE INF. MANCHERON D.	RECHTER UNTERHOLM
42A	81006917/0	1	MANICO INFERIORE SX	LEFT LOWER HANDLE	PARTIE INF. MANCHERON G.	LINKER UNTERHOLM
43	22430309/0	2	MOLLA GUIDA	SPRING	RESSORT	FEDER
44	12154330/0	2	DADO	NUT	ECROU	MUTTER
45	18566110/0	2	PUNTALE	CAP	BOUCHON	GUMMISTOPFEN
46	22600042/0	1	PROTEZ. MANICO DX	RIGHT HANDLE PROT.	PROT. MANCHERON DROITE	RECHTER HOLMSCHUTZ
47	22600043/0	1	PROTEZ. MANICO SX	LEFT HANDLE PROT.	PROT. MANCHERON GAUCHE	LINKER HOLMSCHUTZ
48	12691400/0	2	VITE	SCREW	VIS	SCHRAUBE
49	12691900/0	2	VITE	SCREW	VIS	SCHRAUBE
50	12521350/0	4	RONDELLA	WASHER	RONDELLE	SCHEIBE
51	22551632/1	2	PIASTRINA FISSAGGIO	PLATE FOR HANDLE	PLAQUETTE FIXAGE	HOLMBEFESTIGUNG
		2	MANICO	FASTENING	MANCHERON	PLÄTTCHEN
52	12819120/0	2	VITE	SCREW	VIS	SCHRAUBE
53	22680006/1	2	ROSETTA	WASHER	RONDELLE	SCHEIBE
54	22399900/0	2	MANOPOLINA	KNOB	POIGNÉE	GRIFF
55	12293200/0		DADO	NUT	ECROU	MUTTER
56			CRUSCOTTO	DASH BOARD	CONSOLE	KONSOLE
—	22120150/0	1	ROSSO	RED	ROUGE	ROTE
—	22120148/0	1	GIALLO	YELLOW	JAUNE	GELBE
—	22120164/0	1	NERO	BLACK	NOIRE	SCHWARZE
57	22943006/0	1	VITE	SCREW	VIS	SCHRAUBE
58	12728460/0	1	VITE	SCREW	VIS	SCHRAUBE
59	81007138/0	1	ASSIEME ACCELERATORE	TROTTLE UNIT ASS.Y	ENS.ACCELERATEUR	BESCHLEUNIGER SATZ
60	22399801/0	1	MANOPOLINA	KNOB	POIGNÉE	GRIFF
61	12726388/0	1	VITE	SCREW	VIS	SCHRAUBE
62	12290800/0	1	DADO	NUT	ECROU	MUTTER
63	12788910/0	2	VITE	SCREW	VIS	SCHRAUBE
64	12523020/0	2	RONDELLA	WASHER	RONDELLE	SCHEIBE
65	12581500/0	2	GROWER	GROWER	GROWER	FEDERRING
66	12291000/0	2	DADO	NUT	ECROU	MUTTER
67	81003291/2	1	ASS. LEVA FRENO MOTORE	BRAKE LEVER ASS.Y	ENS. LEVIER FREIN MOTEUR	MOTORBREMSEHEBEL
68	22041966/0	2	BUSSOLA	BUSH	DOUILLE	BUCHSE
69			ASS. CAVO FRENO MOTORE	THREAD MOTOR ASS.Y	CABLE FREIN MOTEUR	MOTORBREMSEKABEL
—	81000621/1	1	(SPRINT 375/ QUATTRO)	(SPRINT 375/ QUATTRO)	(SPRINT 375/ QUATTRO)	(SPRINT 375/ QUATTRO)
—	81001105/1	1	(QUANTUM XM-ES 40)	(QUANTUM XM-ES 40)	(QUANTUM XM-ES 40)	(QUANTUM XM-ES 40)
—	81000622/2	1	(TECUMSEH)	(TECUMSEH)	(TECUMSEH)	(TECUMSEH)
—	81000639/0	1	(HONDA GCV 135/ 160)	(HONDA GCV 135/ 160)	(HONDA GCV 135/ 160)	(HONDA GCV 135/ 160)
70			ETICHETTA	LABEL	ETIQUETTE	ETIKETTE
—	14356692/0	1	(TECUMSEH)	(TECUMSEH)	(TECUMSEH)	(TECUMSEH)
—	14356693/0	1	(B&S)	(B&S)	(B&S)	(B&S)
71	81001410/0	1	ASSE RUOTE ANT.	FRONT WHEELS AXLE	AXE ROUES AVANT	VORDERRADACHSE
72	22321502/0	1	LEVA REGOLAZIONE	ADJUSTMENT LEVER	LEVIER REGLAGE	VERSTELLUNGHEBEL
73	22400000/1	2	MANOPOLINA	KNOB	POIGNÉE	GRIFF
74	22519510/0	1	PERNO	PIN	PIVOT	BOLZEN
75	12691100/0	1	VITE	SCREW	VIS	SCHRAUBE
76	22170950/0	1	DISTANZIALE DX	RIGHT SPACER	ENTRETOISE DROITE	RECHTER DISTANZRING
77	22170940/0	1	DISTANZIALE SX	LEFT SPACER	ENTRETOISE GAUCHE	LINKER DISTANZRING
78	12523060/0	2	ROSETTA	WASHER	RONDELLE	SCHEIBE
79	12155000/0	2	DADO	NUT	ECROU	MUTTER
84	12735402/0	1	VITE	SCREW	VIS	SCHRAUBE
85	81007317/0	4	RUOTA SCOLPITA Ø 170	KNOBBLY WHEEL Ø 170	ROUE SCULPTEE Ø 170	RAD M. STOLLENPR. Ø 170
86	22545152/0	2	PIASTRINA SX	LEFT PLATE	PLAQUETTE GAUCHE	LINKES PLÄTTCHEN
86A	22545154/0	2	PIASTRINA DX	RIGHT PLATE	PLAQUETTE DROITE	RECHTES PLÄTTCHEN
87	22122200/0	8	CUSCINETTO	BEARING	COUSSINET	KUGELLAGER
88	12530150/0	4	ROSETTA ELASTICA	ELASTIC WASHER	RONDELLE ELASTIQUE	ELASTISCHE SCHEIBE
89	12521350/0	4	ROSETTA	WASHER	RONDELLE	SCHEIBE
90	12155000/0	4	DADO	NUT	ECROU	MUTTER
91			COPRIMOZZO	HUB CAP	COUVRE-MOYEU	RADKAPPE
—	22110282/0	2	BIANCO	WHITE	BLANC	WEIßE
—	22110288/0	2	GIALLO	YELLOW	JAUNE	GELBE
—	22110290/0	2	ROSSO	RED	ROUGE	ROTE
101	96400000/0	2	ASS. SACCO IN TELA	CANVASS GRASSCATCHER ASS.Y	ENSEMBLE SAC EN TOILE	KOMPLETTER SACK
102	81006430/0	1	TELAIO	CHASSIS	CHÂSSIS	RAHMEN
103	81002124/1	1	TELA SACCO	FABRIC BOX	TOILE POUR SAC	TUCK FÜR SACK
111	96500000/0	1	SACCO COMPLETO	COMPLETE GRASS-BOX	SAC COMPLET	KOMPLETTER KORB
112	22486065/0	1	PARTE SUP. SACCO	UPPER GRASS-BOX	PARTIE SUP. SAC	OBERKORB
113	22486064/0	1	PARTE INF. SACCO	LOWER GRASS-BOX	PARTIE INF. SAC	UNTERKORB
121	81003288/1	1	LEVA TRAZIONE	DRIVING LEVER	LEVIER TRACTION	ANTRIEBHEBEL
122	22041965/0	2	BUSSOLA	BUSH	DOUILLE	BUCHSE
131	18120050/0	1	BATTERIA	BATTERY	BATTERIE	BATTERIE
132	22807640/0	1	SUPP. BATTERIA	BATTERY SUPPORT	SUPPORT BATTERIE	BATTERIE HALTER
133	12728680/0	2	VITE	SCREW	VIS	SCHRAUBE
134	18204110/0	1	CARICA BATTERIA	BATTERY CHARGER	CHARGEUR DE BATTERIE	LADGERÄT
135	18450050/0	1	INTERRUTTORE	SWITCH	INTERRUPTEUR	SCHALTER
136	18204190/2	1	CAVO AVVIAMENTO	START CABLE	CABLE DÉMARRAGE	START KABEL
—	81008606/0	1	DOTAZIONE VITERIA	SCREWS OUTFIT	DOTATION VISSERIE	SCHRAUBEN SATZ
—	81008499/1	1	DOTAZIONE CRUSCOTTO	DASH-BOARD OUTFIT	DOTATION CONSOLE	KONSOLE SATZ



Pos. Nr.	Codice Code Kodex	Q.tà Q.ty-Q.tè Menge	Descrizione	Description	Description	Beschreibung
24			COPRIMOZZO	HUB CAP	COUVRE-MOYEU	RADKAPPE
—	22110281/ 0	2	BIANCO	WHITE	BLANC	WEIßE
—	22110287/ 0	2	GIALLO	YELLOW	JAUNE	GELBE
—	22110289/ 0	2	ROSSO	RED	ROUGE	ROTE
25	12793800/ 0	1	VITE	SCREW	VIS	SCHRAUBE
26	22170910/ 0	1	DISTANZIALE	SPACER	ENTRETOISE	DISTANZRING
27	81003375/ 0	1	ASS. RUOTINO	BEARING BALL	COUSSINET	KUGELLAGER
28	12523060/ 0	1	RONDELLA	WASHER	RONDELLE	SCHEIBE
29	12521350/ 0	1	RONDELLA	WASHER	RONDELLE	SCHEIBE
30	81001094/ 1	1	ASS. COMANDO TRAZIONE	REAR DRIVE ASS.Y	ENS. COMMANDE TRACTION	ANTRIEBKABEL
31	22321497/ 0	1	LEVA REGOLAZIONE	ADJUSTMENT LEVER	LEVIER REGLAGE	VERSTELLUNGHEBEL
32	22400000/ 1	1	MANOPOLINA	KNOB	POIGNÉE	GRIF
33	12609260/ 0	1	SEEGER	SEEGER	SEEGER	SEEGER
34	12155000/ 0	1	DADO	NUT	ECROU	MUTTER