

Genuine Spare Parts

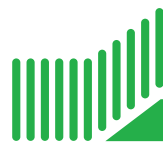
Catalogo delle parti di ricambio
Spare parts catalogue
Catalogue des pieces de rechange
Ersatzteilkatalog

1999

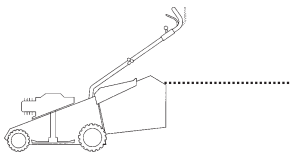
- Use GLOBAL GARDEN PRODUCT Genuine Spare Parts specified in the parts list for repair and/or replacement.
- The contents described in the parts list may change due to improvement.
- The drawings of the spare parts are only indicative and might not represent the part in question exactly.
- The indications "right" - "left" - "front" - "rear" refer to the position of the operator when using the machine.
- When placing orders of parts for repair and/or replacement, make sure that the illustrated parts list is the one applying to the machine's year of manufacture, as shown on the identification plate attached to the machine.

COPYRIGHT by GLOBAL GARDEN PRODUCTS

All rights reserved. No part of this material may be reproduced or transmitted, in any form or by any means, electronic or mechanical, including photocopying, recording or by any information storage and retrieval system, without permission in writing from GLOBAL GARDEN PRODUCTS.



GLOBAL GARDEN PRODUCTS



TDL 484 TR

TDL 484 TR-E

TDL 534 TR

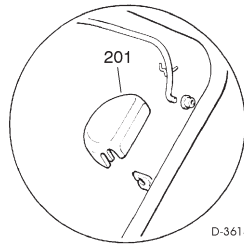
TDL 534 TR-E

**CHASSIS
MANICO
COMANDI
DOTAZIONE VITERIE**

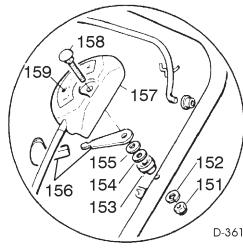
**DECK
HANDLE
CONTROLS
SCREWS OUTFITS**

**CHÂSSIS
MANCHERON
COMMANDES
DOTATION VISSERIE**

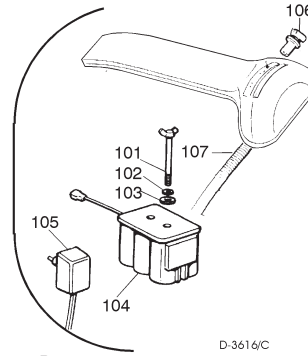
**GEHÄUSE
HOLM
BETÄTIGUNGEN**



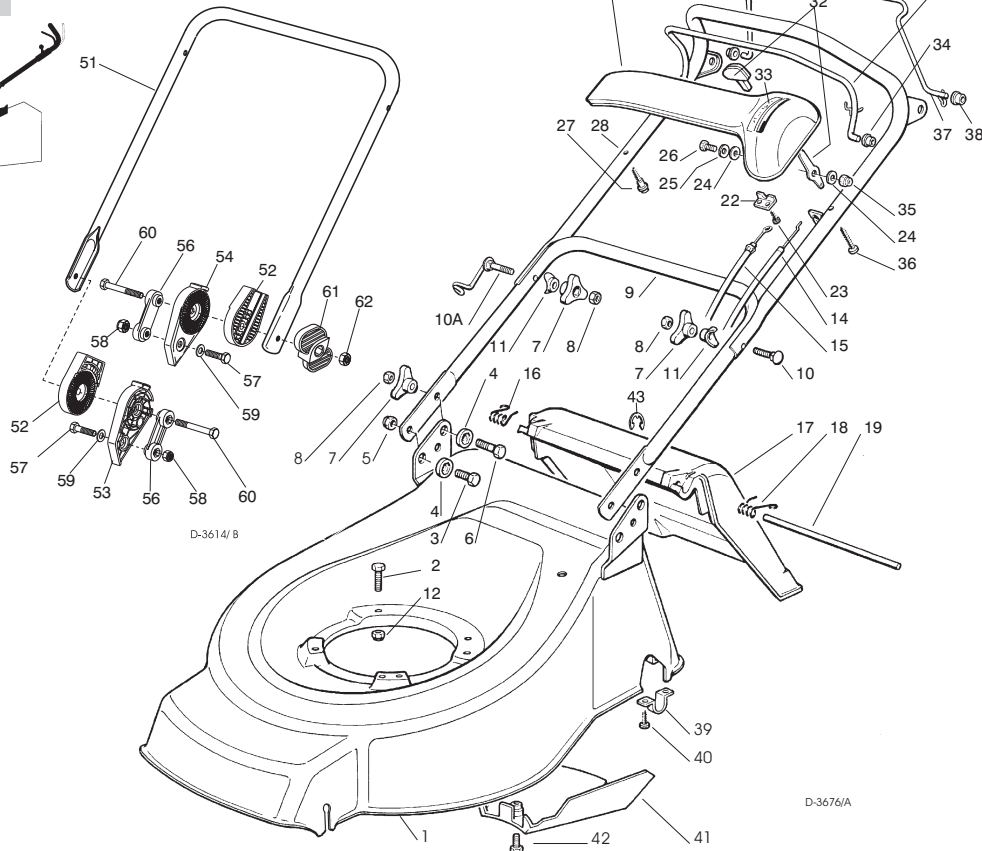
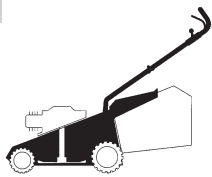
D-3615/E



D-3615/D



D-3616/C



D-3614/B

D-3676/A

SPARE PARTS CATALOGUE

ERSATZTEILKATALOG

GB

D

**CATALOGO DELLE PARTI
DI RICAMBIO**

**CATALOGUE DES PIÈCES
DE RECHANGE**

I

F

T-3676/A

Pos. Nr.	Codice Code Kodex	Q.tà Q.ty-Q.tè Menge	Descrizione	Description	Description	Beschreibung
1			CHASSIS	DECK	CHÂSSIS	GEHÄUSE
—	81001642/0	1	ROSSO TDL 484 TR	RED TDL 484 TR	ROUGE TDL 484 TR	ROTES TDL 484 TR
—	81001643/0	1	GIALLO TDL484 TR	YELLOW TDL 484 TR	JAUNE TDL 484 TR	GELBES TDL 484 TR
—	81001644/0	1	VERDE TDL 484 TR	GREEN TDL 484 TR	VERT TDL 484 TR	GRÜNES TDL 484 TR
—	81001663/0	1	ROSSO TDL 484 TR-E	RED TDL 484 TR-E	ROUGE TDL 484 TR-E	ROTES TDL 484 TR-E
—	81001664/0	1	GIALLO TDL 484 TR-E	YELLOW TDL 484 TR-E	JAUNE TDL 484 TR-E	GELBES TDL 484 TR-E
—	81001665/0	1	VERDE TDL 484 TR-E	GREEN TDL 484 TR-E	VERT TDL 484 TR-E	GRÜNES TDL 484 TR-E
—	81001738/0	1	ROSSO TDL 534 TR	RED TDL 534 TR	ROUGE TDL 534 TR	ROTES TDL 534 TR
—	81001739/0	1	GIALLO TDL 534 TR	YELLOW TDL 534 TR	JAUNE TDL 534 TR	GELBES TDL 534 TR
—	81001740/0	1	VERDE TDL 534 TR	GREEN TDL 534 TR	VERT TDL 534 TR	GRÜNES TDL 534 TR
—	81001741/0	1	ROSSO TDL 534 TR-E	RED TDL 534 TR-E	ROUGE TDL 534 TR-E	ROTES TDL 534 TR-E
—	81001742/0	1	GIALLO TDL 534 TR-E	YELLOW TDL 534 TR-E	JAUNE TDL 534 TR-E	GELBES TDL 534 TR-E
—	81001743/0	1	VERDE TDL 534 TR-E	GREEN TDL 534 TR-E	VERT TDL 534 TR-E	GRÜNES TDL 534 TR-E
2			VITE	SCREW	VIS	SCHRAUBE
—	12793700/0	3/2	(M8X30)	(M8X30)	(M8X30)	(M8X30)
—	12691800/0	0/1	(M8X60)	(M8X60)	(M8X60)	(M8X60)
3			VITE	SCREW	VIS	SCHRAUBE
4			BUSSOLA	BUSH	DOUILLE	BUCHSE
5			DADO	NUT	ECROU	MUTTER
6			VITE	SCREW	VIS	SCHRAUBE
7			MANOPOLINA	KNOB	POIGNÉE	GRIFF
8			DADO	NUT	ECROU	MUTTER
9			PARTE INF. MANICO	LOWER HANDLE	PARTIE INF. MANCHERON	UNTERHOLM

Pos. Nr.	Codice Code Kodex	Q.tà Q.ty-Q.tè Menge	Descrizione	Description	Description	Beschreibung
10	12819201/0	1	VITE	SCREW	VIS	SCHRAUBE
10A	81003801/0	1	MOLLA GUIDA	SPRING	RESSORT	FEDER
11	22680006/1	2	RONDELLA	WASHER	RONDELLE	SCHEIBE
12	12293201/0	3/2	DADO	NUT	ECROU	MUTTER
—	12155000/0	0/1	DADO	NUT	ECROU	MUTTER
14	81007160/0	1	CAVO ACCELERATORE	THROTTLE CABLE	CABLE ACCELERATEUR	BESCHLEUNIGER KABEL
15	81000633/0	1	CAVO FRENO MOTORE	THREAD MOTOR BRAKE	CABLE FREIN MOTEUR	MOTORBREMSEKABEL
—	81000623/1	1	TDL 434 (QUANTUM XM)	TDL 434 (QUANTUM XM)	TDL 434 (QUANTUM XM)	TDL 434 (QUANTUM XM)
—	81000631/0	1	TDL 434-484 (TECUMSEH)	TDL 434-484 (TECUMSEH)	TDL 434-484 (TECUMSEH)	TDL 434-484 (TECUMSEH)
—	81000625/0	1	TDL 484 (QUANTUM XM-ES 40)	TDL 484 (QUANTUM XM-ES 40)	TDL 484 (QUANTUM XM-ES 40)	TDL 484 (QUANTUM XM-ES 40)
—	81000638/0	1	TDL 484 (SPRINT 375/ QUATTRO)	TDL 484 (SPRINT 375/ QUATTRO)	TDL 484 (SPRINT 375/ QUATTRO)	TDL 484 (SPRINT 375/ QUATTRO)
—	81000641/0	1	TDL 484 (HONDA GV 100)	TDL 484 (HONDA GV 100)	TDL 484 (HONDA GV 100)	TDL 484 (HONDA GV 100)
—	81000642/0	1	TDL 484 (HONDA GCV 135/ 160)	TDL 484 (HONDA GCV 135/ 160)	TDL 484 (HONDA GCV 135/ 160)	TDL 484 (HONDA GCV 135/ 160)
—	81000643/0	1	TDL 534 (QUANTUM XM-ES 40)	TDL 534 (QUANTUM XM-ES 40)	TDL 534 (QUANTUM XM-ES 40)	TDL 534 (QUANTUM XM-ES 40)
—	81000644/0	1	TDL 534 (SPRINT 375/ QUATTRO)	TDL 534 (SPRINT 375/ QUATTRO)	TDL 534 (SPRINT 375/ QUATTRO)	TDL 534 (SPRINT 375/ QUATTRO)
—	81000640/0	1	TDL 534 (TECUMSEH)	TDL 534 (TECUMSEH)	TDL 534 (TECUMSEH)	TDL 534 (TECUMSEH)
—	81000640/0	1	TDL 534 (HONDA GCV 135/ 160)	TDL 534 (HONDA GCV 135/ 160)	TDL 534 (HONDA GCV 135/ 160)	TDL 534 (HONDA GCV 135/ 160)
16	22450410/1	1	MOLLA DX	RIGHT SPRING	RESSORT DROITE	RECHTE FEDER
17	22600028/4	1	PARASASSI	STONE-GUARD	PARE-PIERRES	PRALLBLECH
18	22450420/1	1	MOLLA SX	LEFT SPRING	RESSORT GAUCHE	LINKE FEDER
19	22517906/1	1	PERNO	PIN	PIVOT	BOLZEN
22	22981467/0	1	PIASTRINA	PLAQUE	PLAQUETTE	PLATTE
23	12735105/0	2	VITE	SCREW	VIS	SCHRAUBE
24	12523040/0	2	RONDELLA	WASHER	RONDELLE	SCHEIBE
25	12530060/0	1	RONDELLA ELASTICA	SPRING WASHER	RONDELLE ELASTIQUE	ELASTISCHE SCHEIBE
26	12791500/0	1	VITE	SCREW	VIS	SCHRAUBE
27	22943006/0	1	VITE	SCREW	VIS	SCHRAUBE
28	81007024/0	1	PARTE SUP. MANICO	UPPER HANDLE	PARTIE SUP. MANCHERON	OBERHOLM
29	22120154/0	1	CRUSCOTTO	DASH BOARD	CONSOLE	KONSOLE
—	22120152/0	1	ROSSO	RED	ROUGE	ROTE
—	22120158/0	1	GIALLO	YELLOW	JAUNE	GELBE
—	22120158/0	1	NERO	BLACK	NOIRE	SCHWARZE
30	81003291/2	1	LEVA FRENO MOTORE	BRAKE LEVER	LEVIER FREIN MOTEUR	MOTORBREMSEHEBEL
31	22291050/0	1	IMPUGNATURA MANICO	HANDGRIP	POIGNÉE	HANDGRIFF
—	22291051/0	1	NERA	BLACK	NOIRE	SCHWARZER
—	22291052/0	1	ROSSA	RED	ROUGE	RÖTER
—	22291052/0	1	GIALLA	YELLOW	JAUNE	GELBER
32	81007280/2	1	ASS. LEVA + MANOPOLINA	LEVER + KNOB ASS. Y	ENS. LEVIER + POIGNÉE	HEBEL + GRIFF SATZ
33	14356743/0	1	ETICHETTA (TECUMSEH-HONDA)	LABEL (TECUMSEH-HONDA)	ETIQUETTE (TECUMSEH-HONDA)	ETIKETTE (TECUMSEH-HONDA)
—	14356744/0	1	(B&S)	(B&S)	(B&S)	(B&S)
34	22041966/0	1	BOCCOLA	BUSH	DOUILLE	BUCHSE
35	12154510/0	1	DADO	NUT	ECROU	MUTTER
36	12728460/0	1	VITE	SCREW	VIS	SCHRAUBE
37	81003288/1	1	LEVA TRAZIONE	DRIVING LEVER	LEVIER TRACTION	ANTRIEBHEBEL
38	22041965/0	2	BOCCOLA	BUSH	DOUILLE	BUCHSE
39	22545152/0	2	PIASTRINA	PLAQUE	PLAQUETTE	PLATTE
40	12731350/0	4	VITE	SCREW	VIS	SCHRAUBE
41	22060192/0	1	CARTER (TDL 484)	BELT PROTECTION (TDL 484)	PROTECTION COURROIRE (TDL 484)	RIEMENSCHUTZ (TDL 484)
—	22060193/0	1	(TDL 534)	(TDL 534)	(TDL 534)	(TDL 534)
42	12727791/0	1	VITE	SCREW	VIS	SCHRAUBE
43	12000930/0	1	ANELLO ELASTICO	SNAP RING	ANNEAU RESSORT	SPRENGRING
—	81008614/1	1	DOTAZIONE VITERIA	SCREWS OUTFIT	DOTATION VISSERIE	SCHRAUBEN SATZ
—	81008609/0	1	DOTAZIONE CRUSCOTTO	DASH-BOARD OUTFIT	DOTATION CONSOLE	KONSOLE SATZ

VARIANTE REGOLAZIONE MANICO	HANDLE ADJUSTMENT VARIANT	VARIANTE REGLAGE POIGNEE	GRIFFEINSTELLVARIANTE
-----------------------------	---------------------------	--------------------------	-----------------------

T-3615/B

51	81006510/0	1	PARTE INFR. MANICO	LOWER HANDLE	PARTIE INF. MANCHERON	UNTERHOLM
52	22785081/0	2	SUPPORTO ESTERNO	EXTERNAL SUPPORT	SUPPORT EXTERNE	AUßERE HALTERUNG
53	22785082/0	1	SUPPORTO INTERNO DX	R. INTERNAL SUPPORT	SUPPORT INTERNE DROIT	INNERE HALTERUNG RECHTS
54	22785083/1	1	SUPPORTO INTERNO SX	L. INTERNAL SUPPORT	SUPPORT INTERNE GAUCHE	INNERE HALTERUNG LINKS
56	22551575/0	2	PIASTRINA INTERNA	INSIDE PLAQUE	PLAQUETTE INTERNE	INNERE PLATTE
57	12793701/0	2	VITE	SCREW	VIS	SCHRAUBE
58	12155000/0	2	DADO	NUT	ECROU	MUTTER
59	12521350/0	2	RONDELLA	WASHER	RONDELLE	SCHEIBE
60	12691810/0	2	VITE	SCREW	VIS	SCHRAUBE
61	22399803/0	2	MANOPOLINA	KNOB	POIGNÉE	GRIFF
62	12293202/0	2	DADO	NUT	ECROU	MUTTER
—	81008623/0	1	DOTAZ. VITERIA	SCREWS OUTFIT	DOTATION VISSERIE	SCHRAUBEN SATZ

VARIANTI PER AVVIAMENTO ELETTRICO	PARTS FOR ELECTRIC START	COMPOSANTS POUR DÉMARRAGE ÉLECTRIQUE	ELEKTROSTART BESTANDTEILE
-----------------------------------	--------------------------	--------------------------------------	---------------------------

T-3615/C

101	22517855/0	2	PERNO	PIN	PIVOT	BOLZEN
102	12523000/0	2	RONDELLA	WASHER	RONDELLE	SCHEIBE
103	12540020/0	2	RONDELLA	WASHER	RONDELLE	SCHEIBE
104	18120050/0	1	BATTERIA	BATTERY	BATTERIE	BATTERIE
105	18204110/0	1	CARICA BATTERIA	BATTERY CHARGER	CHARGEUR DE BATTERIE	LADGERÄT
106	18450050/0	1	INTERRUTTORE	SWITCH	INTERRUPTEUR	SCHALTER
107	18204190/2	1	CAVO AVVIAMENTO	START CABLE	CABLE DÉMARRAGE	STARTKABEL

T-3615/D

VARIANTE ACCELERATORE	THROTTLE VARIANTS	VARIANTES COMMANDE D'ACCELERATION	ÄNDERUNGEN AUF GASHEBEL
-----------------------	-------------------	-----------------------------------	-------------------------

151	12291000/0	1	DADO	NUT	ECROU	MUTTER
-----	------------	---	------	-----	-------	--------

Pos. Nr.	Codice Code Kodex	Q.tà Q.ty-Q.tè Menge	Descrizione	Description	Description	Beschreibung
152	12581500/0	1	GROWER	GROWER	GROWER	FEDERING
153	22171005/0	1	DISTANZIALE	SPACER	ENTRETOISE	DISTANZRING
154	12521360/0	1	RONDELLA	WASHER	RONDELLE	SCHEIBE
155	12508100/0	1	RONDELLA ELASTICA	SPRING WASHER	RONDELLE ELASTIQUE	ELASTISCHE SCHEIBE
156	81007279/1	1	ASS. LEVA+MANOPOLINA	LEVER+KNOB ASS.Y	ENS. LEVIER+POIGNEE	HEBEL+GRIFF SATZ
157	81007080/0	1	ASSIEME ACCELERATORE	TROTTLE UNIT ASS.Y	ENS. ACCELERATEUR	BESCHLEUNIGER SATZ
158	12815000/0	1	VITE	SCREW	VIS	SCHRAUBE
159	14356702/0	1	ETICHETTA (TECUMSEH-HONDA)	LABEL (TECUMSEH-HONDA)	ETIQUETTE (TECUMSEH-HONDA)	ETIKETTE (TECUMSEH-HONDA)
—	14356703/0	1	(B&S)	(B&S)	(B&S)	(B&S)

T-3615/ E

VARIANTE REGIME FISSO	FIXED SPEED VARIANTS	VARIANTES POUR MODÈLE À RÉGIME FIXE	ÄNDERUNGEN FÜR MODELLE MIT FIXIERTER DREHZAHL
-----------------------	----------------------	-------------------------------------	---

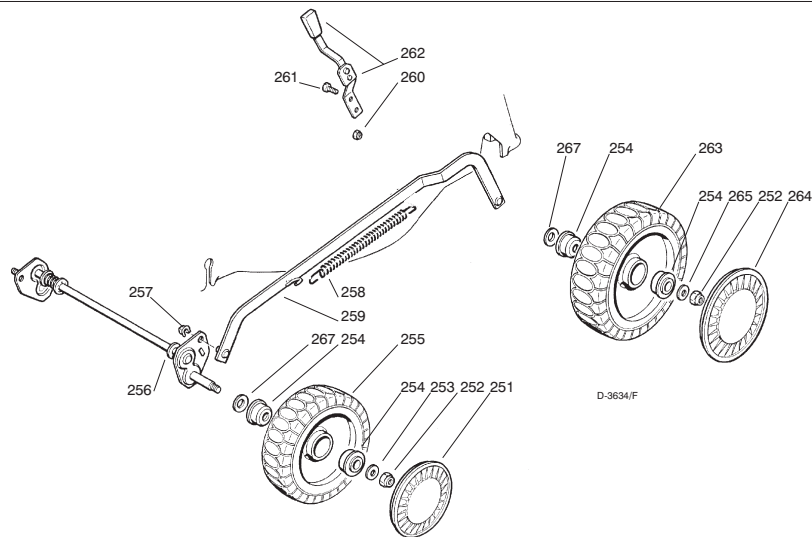
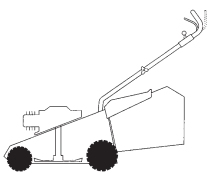
201	22601000/0	PROTEZIONE	PROTECTION	PROTECTION	SCHUTZ
-----	------------	------------	------------	------------	--------

RUOTE E REGOLAZIONE

WHEELS AND HEIGHT ADJUSTING

ROUES ET REGLAGE HAUTEUR DE COUPE

RÄDER UND SCHNITTHÖHEVERSTELLUNG



T-3636/ F

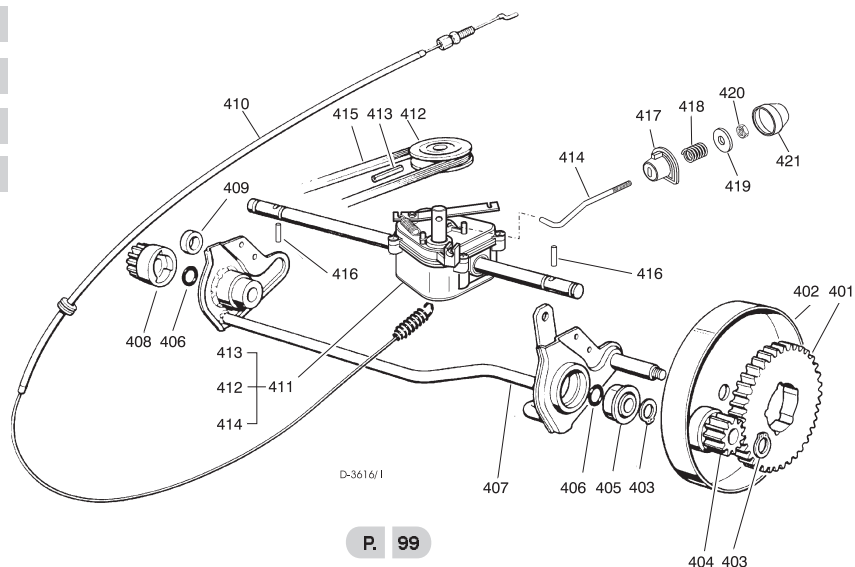
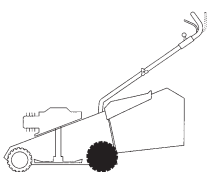
251	22110282/0	2	COPRIMOZZO	HUB CAP	COUVRE-MOYEU	RADKAPPE
—	22110288/0	2	BIANCO	WHITE	BLANC	WEIßE
—	22110290/0	2	GIALLO	YELLOW	JAUNE	GELBE
—	22110290/0	2	ROSSO	RED	ROUGE	ROTE
252	12155000/0	4	DADO	NUT	ECROU	MUTTER
253	12521350/0	2	RONDELLA	WASHER	RONDELLE	SCHEIBE
254	22122200/0	8	CUSCINETTO	BEARING	COUSSINET	KUGELLAGER
255	81007317/0	2	RUOTA SCOLPITA Ø 170	KNOBBLY WHEEL Ø 170	ROUE SCULPTEE Ø 170	RAD M. STOLLENPR. Ø 170
256	81001272/0	1	ASSE RUOTE ANTERIORE	FRONT WHEELS AXLE	AXE ROUES AVANT	VORDERRADACHSE
257	12436050/0	2	PIASTRINA	PLATE	PLAQUETTE	PLÄTTCHEN
258	22446180/0	1	MOLLA	SPRING	RESSORT	FEDER
259	81001276/0	1	ASTA (TDL 484)	ROD (TDL 484)	TIGE (TDL 484)	STANGE (TDL 484)
—	81001264/0	1	(TDL 534)	(TDL 534)	(TDL 534)	(TDL 534)
260	12154330/0	2	DADO	NUT	ECROU	MUTTER
261	12789000/0	2	VITE	SCREW	VIS	SCHRAUBE
262	81003279/2	1	LEVA REGOLAZIONE	ADJUSTMENT LEVER	LEVIER REGLAGE	VERSTELLUNGHEBEL
263	81007318/1	2	RUOTA SCOLPITA Ø 210	KNOBBLY WHEEL Ø 210	ROUE SCULPTEE Ø 210	RAD M. STOLLENPR. Ø 210
264	22110281/0	2	COPRIMOZZO	HUB CAP	COUVRE-MOYEU	RADKAPPE
—	22110287/0	2	BIANCO	WHITE	BLANC	WEIßE
—	22110287/0	2	GIALLO	YELLOW	JAUNE	GELBE
—	22110289/0	2	ROSSO	RED	ROUGE	ROTE
265	12369500/0	2	DISCO ELASTICO	ELASTIC DISK	RONDELLE ELASTIQUE	SCHEIBE
267	12530150/0	4	RONDELLA ELASTICA	ELASTIC WASHER	RONDELLE ELASTIQUE	ELASTISCHE SCHEIBE

GRUPPO TRAZIONE

REAR DRIVE

GROUPE TRACTION

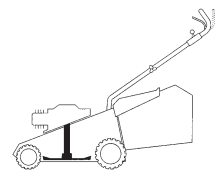
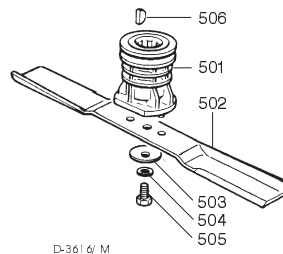
ANTRIEB



Pos. Nr.	Codice Code Kodex	Q.tà Q.ty-Q.tè Menge	Descrizione	Description	Description	Beschreibung
401	22120105/ 1	2	CORONA	RING GEAR	COURONNE	KRANZ
402	81006846/ 0	2	PROTEZIONE RUOTE	WHEEL GUARD	PROTECTION ROUE	RÄDERSCHUTZ
403	12608600/ 0	4	SEEGER	SEEGER	SEEGER	SEEGER
404	22570120/ 0	1	PIGNONE SINISTRO	LEFT PINION	PIGNON GAUCHE	LINKES RITZEL
405	22122200/ 0	2	CUSCINETTO	BEARING	COUSSINET	LAGER
406	12019900/ 0	2	ANELLO OR	OR RING	BAGUE OR	RING OR
407	81001252/ 1	1	ASSE RUOTE POSTERIORE	REAR WHEELS AXLE	AXE ROUES ARRIERE	HINTERRADACHSE
408	22570110/ 0	1	PIGNONE DESTRO	RIGHT PINION	PIGNON DROITE	RECHTES RITZEL
409	22170800/ 0	1	DISTANZIALE	SPACER	ENTRETOISE	DISTANZRING
410	81001143/ 0	1	ASS. COMANDO TRAZIONE	REAR DRIVE ASS.Y	ENS. COMMANDE TRACTION	ANTRIEBKABEL
411	81003059/ 0	1	ASS. GRUPPO TRAZIONE (PLASTICA)	GEAR BOX ASS.Y (PLASTIC)	ENS. GROUPE TRACTION (PLASTIQUE)	ANTRIEBSATZ (KUNSTSTOFF)
—	81003060/ 0	1	(ALLUMINIO)	(ALUMINIUM)	(ALUMINIUM)	(ALUMINIUM)
412	22601904/ 0	1	PULEGGIA 4 KM/ H	PULLEY 4 KM/ H	POULIE 4 KM/ H	RIEMENSCHLEIBE 4 KM/ H
413	12645705/ 0	1	SPINA	PIN	GOUPILLE	STIFT
414	22033280/ 0	1	ASTA REGOLAZIONE	ADJUSTMENT ROD	TIGE REGLAGE	VERSTELLUNGSTANGE
415	35063800/ 0	1	CINGHIA	BELT	COURROIE	RIEMEN
—	35063902/ 0	1	Z 27 (TDL 484)	Z 27 (TDL 484)	Z 27 (TDL 484)	Z 27 (TDL 484)
—	35063902/ 0	1	Z 29.5 (TDL 534)	Z 29.5 (TDL 534)	Z 29.5 (TDL 534)	Z 29.5 (TDL 534)
416	22753000/ 0	2	SPINA	PIN	GOUPILLE	STIFT
417	22041957/ 0	1	BUSSOLA	BUSH	DOUILLE	BUCHSE
418	22450063/ 0	1	MOLLA	SPRING	RESSORT	FEDER
419	22680009/ 0	1	RONDELLA	WASHER	RONDELLE	SCHEIBE
420	12154510/ 0	1	DADO	NUT	ECROU	MUTTER
421	22110230/ 0	1	TAPPO	CAP	BOUCHON	GUMMISTOPFEN

T-3636/ I

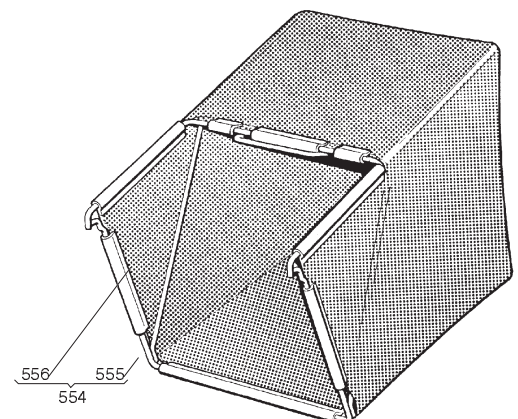
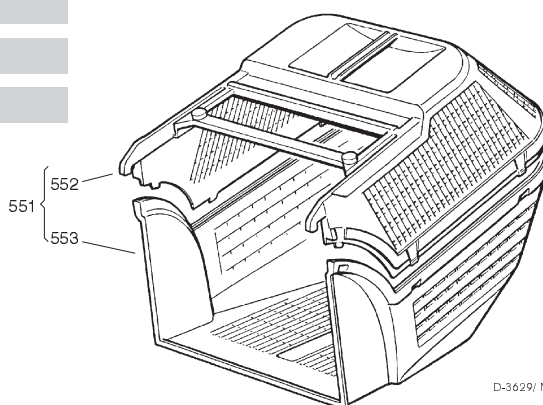
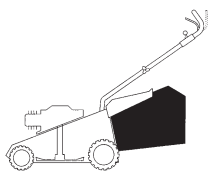
GRUPPO COLTELLO
BLADE ASS.Y
GROUPE LAME
MESSERSATZ



T-3624/ M

501	22465607/ 0	1	MOZZO CON PULEGGIA	HUB WITH PULLEY	MOYEU AVEC POULIE	NABE MIT SCHEIBE
502	81004346/ 2	1	COLTELLO	BLADE	LAME	MESSER
—	81004397/ 0	1	STANDARD 46 cm	STANDARD 46 cm	STANDARD 46 cm	STANDARD 46 cm
—	81004381/ 0	1	ALETTATO 46 cm	WINGED 46 cm	AILETTÉE 46 cm	FLÜGEL 46 cm
—	81004398/ 0	1	STANDARD 51 cm	STANDARD 51 cm	STANDARD 51 cm	STANDARD 51 cm
—	81004398/ 0	1	ALETTATO 51 cm	WINGED 51 cm	AILETTÉE 51 cm	FLÜGEL 51 cm
503	22160400/ 0	1	RONDELLA ELASTICA	SPRING WASHER	RONDELLE ELASTIQUE	ELASTISCHE SCHEIBE
504	12523080/ 0	1	RONDELLA	WASHER	RONDELLE	SCHEIBE
505	12735698/ 0	1	VITE	SCREW	VIS	SCHRAUBE
506	12139100/ 0	1	LINGUETTA	FEATHER	CLAVETTE	KEIL

SACCO RACCOGLIERBA
GRASS-CATCHER
BAC DE RAMASSAGE
GRASFANGKORB



T-3629/ N

551	94004000/ 1	1	SACCO COMPLETO	COMPLETE GRASS-BOX	SAC COMPLET	KOMPLETTER KORB
552	22486073/ 0	1	PORTE SUP. SACCO	UPPER GRASS BOX	PARTIE SUP. SAC	OBERTKORB
553	22486074/ 0	1	PORTE INF. SACCO	LOWER GRASS BOX	PARTIE INF. SAC	UNTERKORB
554	94005000/ 0	1	ASS. SACCO IN TELA	CANVASS GRASSCATCHER ASS.Y	ENSEMBLE SAC EN TOILE	KOMPLETTER SACK
555	81006418/ 0	1	TELAIO	CHASSIS	CHÂSSIS	RAHMEN
556	81002105/ 2	1	TELA SACCO	FABRIC BOX	TOILE POUR SAC	TUCK FÜR SACK