

# Genuine Spare Parts

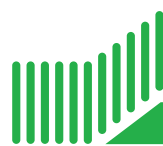
Catalogo delle parti di ricambio  
Spare parts catalogue  
Catalogue des pieces de rechange  
Ersatzteilkatalog

# 2003

- Use GLOBAL GARDEN PRODUCT Genuine Spare Parts specified in the parts list for repair and/or replacement.
- The contents described in the parts list may change due to improvement.
- The drawings of the spare parts are only indicative and might not represent the part in question exactly.
- The indications "right" - "left" - "front" - "rear" refer to the position of the operator when using the machine.
- When placing orders of parts for repair and/or replacement, make sure that the illustrated parts list is the one applying to the machine's year of manufacture, as shown on the identification plate attached to the machine.

COPYRIGHT by GLOBAL GARDEN PRODUCTS

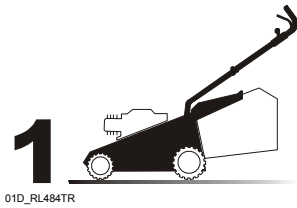
All rights reserved. No part of this material may be reproduced or transmitted, in any form or by any means, electronic or mechanical, including photocopying, recording or by any information storage and retrieval system, without permission in writing from GLOBAL GARDEN PRODUCTS.



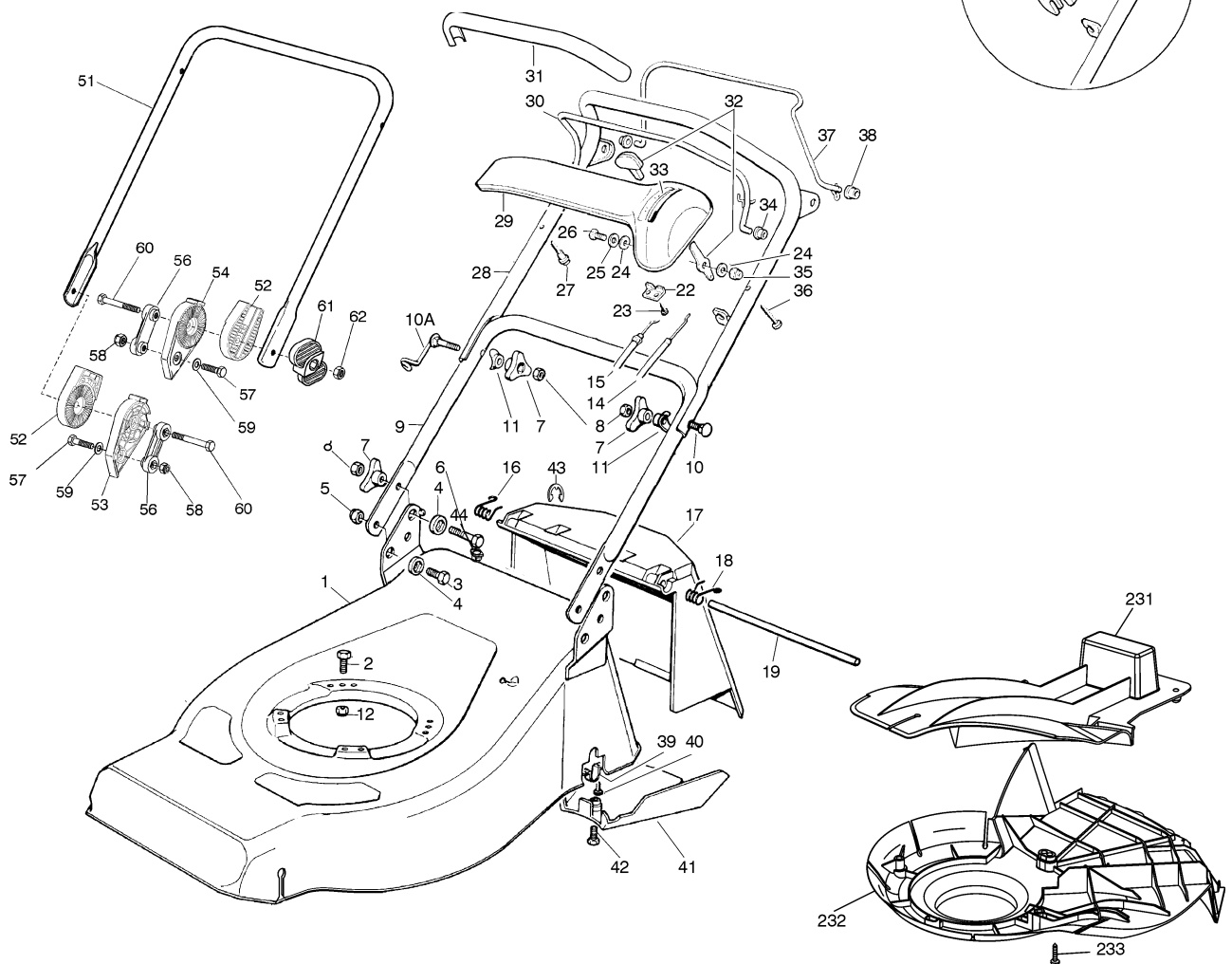
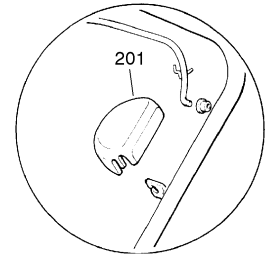
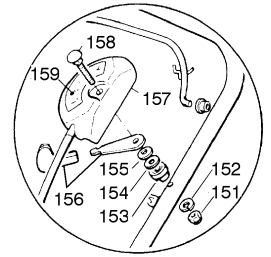
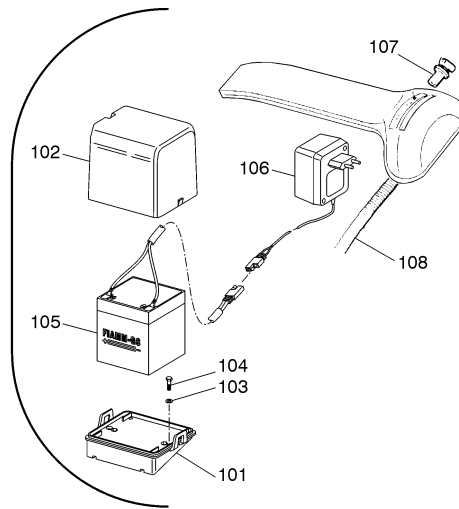
**GLOBAL GARDEN PRODUCTS**



# RL 484 TR - RL 484 TR-E - RL 534 TR - RL 534 TR-E



01D\_RL484TR



01T.018

| Pos. | Code       | Q.ty | Descrizione    | Description | Description   | Beschreibung   | Remarks                   |
|------|------------|------|----------------|-------------|---------------|----------------|---------------------------|
| 1    | 81002449/0 | 1    | CHASSIS ROSSO  | DECK RED    | CHÂSSIS ROUGE | GEHÄUSE ROTES  | (RL 484 TR / RL 484 TR-E) |
| -    | 81002450/0 | 1    | CHASSIS GIALLO | DECK YELLOW | CHÂSSIS JAUNE | GEHÄUSE GELBES | (RL 484 TR / RL 484 TR-E) |
| -    | 81002451/0 | 1    | CHASSIS VERDE  | DECK GREEN  | CHÂSSIS VERT  | GEHÄUSE GRÜNES | (RL 484 TR / RL 484 TR-E) |
| -    | 81001973/0 | 1    | CHASSIS ROSSO  | DECK RED    | CHÂSSIS ROUGE | GEHÄUSE ROTES  | (RL 534 TR)               |
| -    | 81001975/0 | 1    | CHASSIS GIALLO | DECK YELLOW | CHÂSSIS JAUNE | GEHÄUSE GELBES | (RL 534 TR)               |
| -    | 81001977/0 | 1    | CHASSIS VERDE  | DECK GREEN  | CHÂSSIS VERT  | GEHÄUSE GRÜNES | (RL 534 TR)               |
| -    | 81001974/0 | 1    | CHASSIS ROSSO  | DECK RED    | CHÂSSIS ROUGE | GEHÄUSE ROTES  | (RL 534 TR-E)             |
| -    | 81001976/0 | 1    | CHASSIS GIALLO | DECK YELLOW | CHÂSSIS JAUNE | GEHÄUSE GELBES | (RL 534 TR-E)             |
| -    | 81001978/0 | 1    | CHASSIS VERDE  | DECK GREEN  | CHÂSSIS VERT  | GEHÄUSE GRÜNES | (RL 534 TR-E)             |

# RL 484 TR - RL 484 TR-E - RL 534 TR - RL 534 TR-E



GLOBAL GARDEN PRODUCTS

01T.018

| Pos. | Code       | Q.ty | Descrizione               | Description               | Description                  | Beshreibung          | Remarks                                   |
|------|------------|------|---------------------------|---------------------------|------------------------------|----------------------|---|
| 2    | 12691800/0 | 0/1  | VITE                      | SCREW                     | VIS                          | SCHRAUBE             |   |
| -    | 12793701/0 | 3/2  | VITE                      | SCREW                     | VIS                          | SCHRAUBE             |   |
| 3    | 12792610/0 | 2    | VITE                      | SCREW                     | VIS                          | SCHRAUBE             |   |
| 4    | 22041955/0 | 4    | BUSSOLA                   | BUSH                      | DOUILLE                      | BUCHSE               |   |
| 5    | 12155000/0 | 2    | DADO                      | NUT                       | ECROU                        | MUTTER               |   |
| 6    | 12793700/0 | 2    | VITE                      | SCREW                     | VIS                          | SCHRAUBE             |   |
| 7    | 22399900/0 | 4    | MANOPOLINA                | KNOB                      | POIGNÉE                      | GRIFF                |   |
| 8    | 12293200/0 | 4    | DADO                      | NUT                       | ECROU                        | MUTTER               |   |
| 9    | 81006512/0 | 1    | MANICO, PARTE INF         | HANDLE, LOWER PART        | MANCHERON, PARTIE INFERIEURE | HOLM, UNTERTEIL      | (RL 484 TR / RL 484 TR-E)                 |
| -    | 81006990/0 | 1    | MANICO, PARTE INF         | HANDLE, LOWER PART        | MANCHERON, PARTIE INFERIEURE | HOLM, UNTERTEIL      | (RL 534 TR / RL 534 TR-E)                 |
| 10   | 12819201/0 | 1    | VITE                      | SCREW                     | VIS                          | SCHRAUBE             |   |
| 10A  | 81003801/1 | 1    | MOLLA GUIDA               | SPRING                    | RESSORT                      | FEDER                |   |
| 11   | 22680006/1 | 2    | RONDELLA                  | WASHER                    | RONDELLE                     | SCHEIBE              |   |
| 12   | 12155000/0 | 0/1  | DADO                      | NUT                       | ECROU                        | MUTTER               |   |
| -    | 12293201/0 | 3/2  | DADO                      | NUT                       | ECROU                        | MUTTER               |   |
| 14   | 81007160/0 | 1    | CAVO ACCELERATORE         | CABLE, TROTTLE            | CABLE, ACCELERATEUR          | KABEL, BESCHLEUNIGER |   |
| 15   | 81000625/0 | 1    | CAVO FRENO MOTORE         | CABLE, THREAD MOTOR BRAKE | CABLE FREIN MOTEUR           | KABEL, MOTORBREMSE   | (B&S CLASSIC/SPRINT/LS/LC RL 484 TR/TR-E) |
| -    | 81000643/0 | 1    | CAVO FRENO MOTORE         | CABLE, THREAD MOTOR BRAKE | CABLE FREIN MOTEUR           | KABEL, MOTORBREMSE   | (B&S CLASSIC/SPRINT/LS/LC RL 534 TR/TR-E) |
| -    | 81000631/0 | 1    | CAVO FRENO MOTORE         | CABLE, THREAD MOTOR BRAKE | CABLE FREIN MOTEUR           | KABEL, MOTORBREMSE   | (B&S QUANTUM/ES45 RL 484 TR/TR-E)         |
| -    | 81000642/0 | 1    | CAVO FRENO MOTORE         | CABLE, THREAD MOTOR BRAKE | CABLE FREIN MOTEUR           | KABEL, MOTORBREMSE   | (B&S QUANTUM/ES45 RL 534 TR/TR-E)         |
| -    | 81000641/0 | 1    | CAVO FRENO MOTORE         | CABLE, THREAD MOTOR BRAKE | CABLE FREIN MOTEUR           | KABEL, MOTORBREMSE   | (HONDA GCV 135/160 RL 484-TR/TR-E)        |
| -    | 81000640/0 | 1    | CAVO FRENO MOTORE         | CABLE, THREAD MOTOR BRAKE | CABLE FREIN MOTEUR           | KABEL, MOTORBREMSE   | (HONDA GCV 135/160 RL 534 TR/TR-E)        |
| -    | 81000629/1 | 1    | CAVO FRENO MOTORE         | CABLE, THREAD MOTOR BRAKE | CABLE FREIN MOTEUR           | KABEL, MOTORBREMSE   | (TECUMSEH RL 484 TR/TR-E)                 |
| -    | 81000644/0 | 1    | CAVO FRENO MOTORE         | CABLE, THREAD MOTOR BRAKE | CABLE FREIN MOTEUR           | KABEL, MOTORBREMSE   | (TECUMSEH RL 534 TR/TR-E)                 |
| 16   | 22450410/1 | 1    | MOLLA DX                  | R SPRING                  | RESSORT D                    | RECHTE FEDER         |   |
| 17   | 22600028/4 | 1    | PARASASSI                 | STONE-GUARD               | PARE-PIERRES                 | PRALLBLECH           |   |
| 18   | 22450420/1 | 1    | MOLLA SX                  | L SPRING                  | RESSORT G                    | LINKE FEDER          |   |
| 19   | 22517906/1 | 1    | PERNO                     | PIN                       | PIVOT                        | BOLZEN               |   |
| 22   | 22981467/0 | 1    | PIASTRINA                 | PLATE                     | PLAQUETTE                    | PLATTE               |   |
| 23   | 12735105/0 | 2    | VITE                      | SCREW                     | VIS                          | SCHRAUBE             |   |
| 24   | 12523040/0 | 2    | RONDELLA                  | WASHER                    | RONDELLE                     | SCHEIBE              |   |
| 25   | 12530060/0 | 1    | RONDELLA ELASTICA         | ELASTIC WASHER            | RONDELLE ELASTIQUE           | ELASTISCHE SCHEIBE   |   |
| 26   | 12791500/0 | 1    | VITE                      | SCREW                     | VIS                          | SCHRAUBE             |   |
| 27   | 22943006/0 | 1    | VITE                      | SCREW                     | VIS                          | SCHRAUBE             |   |
| 28   | 81007024/0 | 1    | MANICO, PARTE SUP         | HANDLE, UPPER PART        | MANCHERON, PARTIE SUPERIEURE | HOLM, OBERTEIL       |   |
| 29   | 22120152/0 | 1    | CRUSCOTTO GIALLO          | DASH BOARD YELLOW         | CONSOLE JAUNE                | KONSOLE GELBE        |   |
| -    | 22120154/0 | 1    | CRUSCOTTO ROSSO           | DASH BOARD RED            | CONSOLE ROUGE                | KONSOLE ROTE         |   |
| -    | 22120158/0 | 1    | CRUSCOTTO NERO            | DASH BOARD BLACK          | CONSOLE NOIRE                | KONSOLE SCHWARZE     |   |
| 30   | 81003291/2 | 1    | LEVA FRENO MOTORE         | LEVER, MOTOR BRAKE        | LEVIER FREIN MOTEUR          | HEBEL, MOTORBREMSE   |   |
| 31   | 22291050/0 | 1    | IMPUGNATURA MANICO NERA   | HANDGRIP BLACK            | POIGNÉE NOIRE                | HANDGRIFF SCHWARZER  |   |
| -    | 22291051/0 | 1    | IMPUGNATURA MANICO ROSSA  | HANDGRIP RED              | POIGNÉE ROUGE                | HANDGRIFF RÖTER      |   |
| -    | 22291052/0 | 1    | IMPUGNATURA MANICO GIALLA | HANDGRIP YELLOW           | POIGNÉE JAUNE                | HANDGRIFF GELBER     |   |
| 32   | 81007280/2 | 1    | LEVA, ACCELERATORE        | LEVER, THROTTLE           | LEVIER, ACCELERATEUR         | HEBEL, BESHLEUNIGER  |   |
| 33   | 14356744/0 | 1    | ETICHETTA                 | LABEL                     | ETIQUETTE                    | ETIKETTE             | (B&S)                                     |
| -    | 14356743/0 | 1    | ETICHETTA                 | LABEL                     | ETIQUETTE                    | ETIKETTE             | (HONDA)                                   |
| -    | 14357646/0 | 1    | ETICHETTA                 | LABEL                     | ETIQUETTE                    | ETIKETTE             | (TECUMSEH)                                |
| 34   | 22041966/0 | 1    | BUSSOLA                   | BUSH                      | DOUILLE                      | BUCHSE               |   |
| 35   | 12154510/0 | 1    | DADO                      | NUT                       | ECROU                        | MUTTER               |   |
| 36   | 12728460/0 | 1    | VITE                      | SCREW                     | VIS                          | SCHRAUBE             |   |

01T.018

| Pos. | Code       | Q.ty | Descrizione                 | Description               | Description                | Beshreibung             | Remarks                 |
|------|------------|------|-----------------------------|---------------------------|----------------------------|-------------------------|-------------------------|
| 37   | 81003288/1 | 1    | LEVA TRAZIONE               | LEVER, DRIVING            | LEVIER TRACTION            | HEBEL, ANTRIEB          |                         |
| 38   | 22041965/0 | 2    | BUSSOLA                     | BUSH                      | DOUILLE                    | BUCHSE                  |                         |
| 39   | 22545152/0 | 2    | PIASTRINA                   | PLATE                     | PLAQUETTE                  | PLATTE                  |                         |
| 40   | 12731350/0 | 4    | VITE                        | SCREW                     | VIS                        | SCHRAUBE                |                         |
| 41   | 22060180/0 | 1    | CARTER CINGHIA              | PROTECTION, BELT          | PROTECTION COURROIRE       | SCHUTZ, RIEMEN          | (R 484 TR/R 484 TR-E)   |
| -    | 22060193/0 | 1    | CARTER CINGHIA              | PROTECTION, BELT          | PROTECTION COURROIRE       | SCHUTZ, RIEMEN          | (RL 534 TR/RL 534 TR-E) |
| 42   | 12727791/0 | 1    | VITE                        | SCREW                     | VIS                        | SCHRAUBE                | (RL 484 TR/RL 484 TR-E) |
| -    | 12728530/0 | 1    | VITE                        | SCREW                     | VIS                        | SCHRAUBE                | (RL 534 TR/RL 534 TR-E) |
| 43   | 12000930/0 | 1    | ANELLO ELASTICO             | SNAP RING                 | ANNEAU RESSORT             | SPRENGRING              |                         |
| 44   | 22291150/0 | 1    | INSERTO IN GOMMA            | RUBBER INSERT             | INSERT DE GAOUTCHOU        | GUMMI EINSATZ           |                         |
| —    | 81008609/0 | 1    | DOTAZIONE VITERIA CRUSCOTTO | OUTFIT, DASH-BOARD SCREWS | DOTATION VISSERIE CONSOLLE | SATZ, KONSOLE SCHRAUBEN |                         |
| —    | 81008614/2 | 1    | DOTAZIONE VITERIA           | OUTFIT, SCREWS            | DOTATION VISSERIE          | SATZ, SCHRAUBEN         |                         |

VARIANTE REGOLAZIONE MANICO - HANDLE ADJUSTMENT MODIFICATION - MODIFICATION REGLAGE POIGNEE - ÄNDERUNG GRIFFENSTEEL

01T.004

| Pos. | Code       | Q.ty | Descrizione         | Description         | Description                  | Beshreibung      | Remarks |
|------|------------|------|---------------------|---------------------|------------------------------|------------------|---------|
| 51   | 81006510/0 | 1    | MANICO, PARTE INF   | HANDLE, LOWER PART  | MANCHERON, PARTIE INFERIEURE | HOLM, UNTERTEIL  |         |
| 52   | 22785081/0 | 2    | SUPPORTO ESTERNO    | SUPPORT, EXTERNAL   | SUPPORT EXTERNE              | HALTER, AUßERE   |         |
| 53   | 22785082/0 | 1    | SUPPORTO INTERNO DX | SUPPORT, R INTERNAL | SUPPORT INTERNE D            | HALTER, INNERE R |         |
| 54   | 22785083/1 | 1    | SUPPORTO INTERNO SX | SUPPORT, L INTERNAL | SUPPORT INTERNE G            | HALTER, INNERE L |         |
| 56   | 22551575/0 | 2    | PIASTRINA INTERNA   | PLATE, INSIDE       | PLAQUETTE INTERNE            | PLATTE, INNERE   |         |
| 57   | 12793701/0 | 2    | VITE                | SCREW               | VIS                          | SCHRAUBE         |         |
| 58   | 12155000/0 | 2    | DADO                | NUT                 | ECROU                        | MUTTER           |         |
| 59   | 12521350/0 | 2    | RONDELLA            | WASHER              | RONDELLE                     | SCHLEIBE         |         |
| 60   | 12691810/0 | 2    | VITE                | SCREW               | VIS                          | SCHRAUBE         |         |
| 61   | 22399803/0 | 2    | MANOPOLINA          | KNOB                | POIGNÉE                      | GRIFF            |         |
| 62   | 12293202/0 | 2    | DADO                | NUT                 | ECROU                        | MUTTER           |         |
| —    | 81008623/1 | 1    | DOTAZIONE VITERIA   | OUTFIT, SCREWS      | DOTATION VISSERIE            | SATZ, SCHRAUBEN  |         |

VARIANTI PER AVVIAMENTO ELETTRICO - PARTS FOR ELECTIC START - COMPOSANTS POUR DÉMARRAGE ÉLECTRIQUE - ELEKTROSTART BESTANDTEILE

01T.008

| Pos. | Code       | Q.ty | Descrizione       | Description      | Description          | Beshreibung      | Remarks                  |
|------|------------|------|-------------------|------------------|----------------------|------------------|--------------------------|
| 101  | 22785123/0 | 1    | SUPPORTO BATTERIA | SUPPORT, BATTERY | SUPPORT BATTERIE     | HALTER, BATTERIE | (B&S - TECUMSEH CENTURA) |
| -    | 22785122/0 | 1    | SUPPORTO BATTERIA | SUPPORT, BATTERY | SUPPORT BATTERIE     | HALTER, BATTERIE | (TECUMSEH PRISMA)        |
| 102  | 22109530/0 | 1    | COPERCHIO         | COVER            | COUVERCLE            | DECKEL           |                          |
| 103  | 12521310/0 | 2    | RONDELLA          | WASHER           | RONDELLE             | SCHLEIBE         | (B&S - TECUMSEH CENTURA) |
| 104  | 12731590/0 | 2    | VITE              | SCREW            | VIS                  | SCHRAUBE         | (B&S - TECUMSEH CENTURA) |
| -    | 12728520/0 | 2    | VITE              | SCREW            | VIS                  | SCHRAUBE         | (TECUMSEH PRISMA)        |
| 105  | 18120052/0 | 1    | BATTERIA          | BATTERY          | BATTERIE             | BATTERIE         |                          |
| 106  | 18204120/0 | 1    | CARICA BATTERIA   | BATTERY CHARGER  | CHARGEUR DE BATTERIE | LADGERÄT         |                          |
| 107  | 18450050/0 | 1    | INTERRUTTORE      | SWITCH           | INTERRUPTEUR         | SCHALTER         |                          |
| 108  | 18204192/1 | 1    | CAVO AVVIAMENTO   | CABLE, START     | CABLE DÉMARRAGE      | KABEL, START     | (B&S)                    |
| -    | 18204190/3 | 1    | CAVO AVVIAMENTO   | CABLE, START     | CABLE DÉMARRAGE      | KABEL, START     | (TECUMSEH)               |

VARIANTE ACCELERATORE - THROTTLE MODIFICATION - MODIFICATION COMMANDE D'ACCELERATION - ÄNDERUNGEN AUF GASHEBEL

01T.005

| Pos. | Code       | Q.ty | Descrizione        | Description     | Description          | Beshreibung         | Remarks |
|------|------------|------|--------------------|-----------------|----------------------|---------------------|---------|
| 151  | 12291000/0 | 1    | DADO               | NUT             | ECROU                | MUTTER              |         |
| 152  | 12581500/0 | 1    | GROWER             | GROWER          | GROWER               | FEDERRING           |         |
| 153  | 22171005/0 | 1    | DISTANZIALE        | SPACER          | ENTRETOISE           | DISTANZRING         |         |
| 154  | 12521360/0 | 1    | RONDELLA           | WASHER          | RONDELLE             | SCHLEIBE            |         |
| 155  | 12508100/0 | 1    | RONDELLA ELASTICA  | SPRING WASHER   | RONDELLE ELASTIQUE   | ELASTISCHE SCHLEIBE |         |
| 156  | 81007279/0 | 1    | LEVA, ACCELERATORE | LEVER, THROTTLE | LEVIER, ACCELERATEUR | HEBEL, BESHLEUNIGER |         |

01T.005

| Pos. | Code       | Q.ty | Descrizione       | Description    | Description         | Beshreibung          | Remarks    |
|------|------------|------|-------------------|----------------|---------------------|----------------------|------------|
| 157  | 81007080/0 | 1    | CAVO ACCELERATORE | CABLE, TROTTLE | CABLE, ACCELERATEUR | KABLE, BESCHLEUNIGER |            |
| 158  | 12815000/0 | 1    | VITE              | SCREW          | VIS                 | SCHRAUBE             |            |
| 159  | 14356703/0 | 1    | ETICHETTA         | LABEL          | ETIQUETTE           | ETIKETTE             | (B&S)      |
| -    | 14356702/0 | 1    | ETICHETTA         | LABEL          | ETIQUETTE           | ETIKETTE             | (HONDA)    |
| -    | 14356905/0 | 1    | ETICHETTA         | LABEL          | ETIQUETTE           | ETIKETTE             | (TECUMSEH) |

VARIANTE REGIME FISSO - FIXED SPEED MODIFICATION - MODIFICATION POUR MODÈLE À REGIME FIXE - ÄNDERUNGEN FÜR MODELLE MIT FESTEN DREHZ

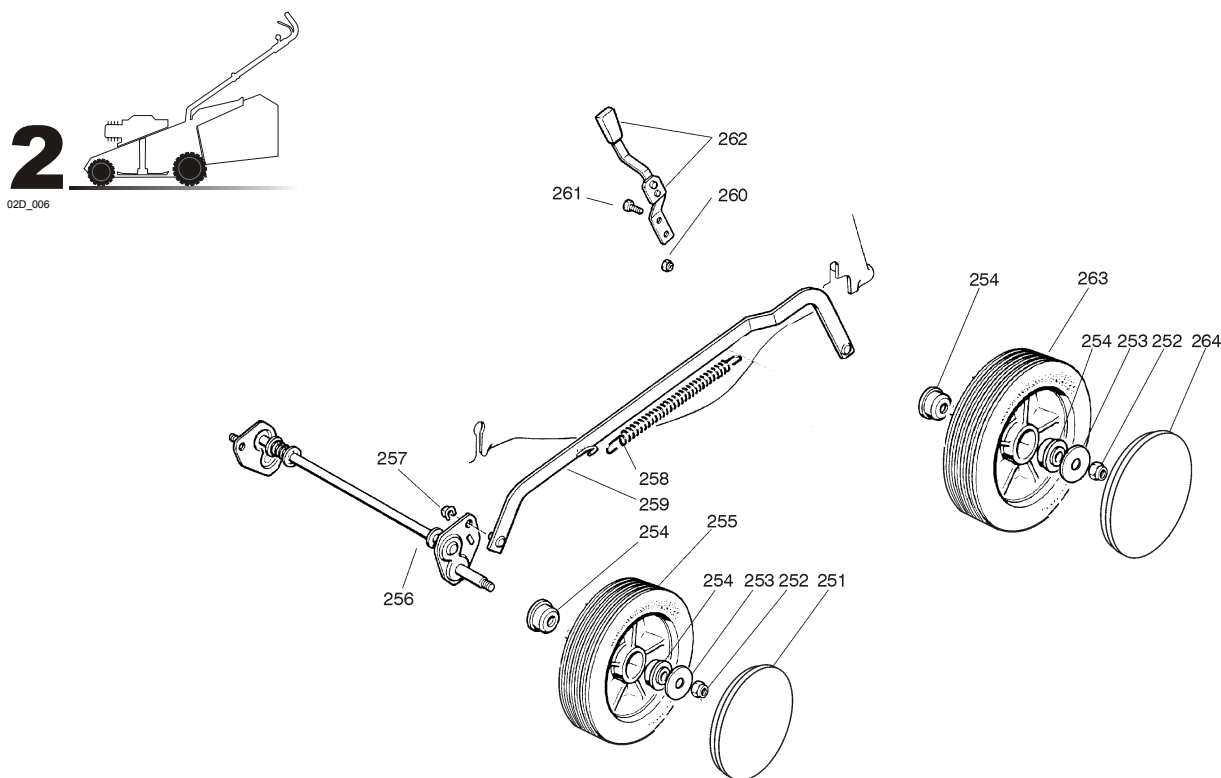
01T.006

| Pos. | Code       | Q.ty | Descrizione | Description | Description | Beshreibung | Remarks |
|------|------------|------|-------------|-------------|-------------|-------------|---------|
| 201  | 22601000/0 | 1    | PROTEZIONE  | PROTECTION  | PROTECTION  | SCHUTZ      |         |

VARIANTE MULCHING - MULCHING MODIFICATION - MODIFICATION MULCHING - ÄNDERUNGEN MULCHING

01T.018

| Pos. | Code       | Q.ty | Descrizione | Description | Description | Beshreibung | Remarks                 |
|------|------------|------|-------------|-------------|-------------|-------------|-------------------------|
| 231  | 22140222/0 | 1    | DEFLETTORE  | DEFLECTOR   | DEFLECTEUR  | DEFLEKTOR   | (RL 534 TR/RL 534 TR-E) |
| 232  | 22060197/0 | 1    | CARTER      | PROTECTION  | PROTECTION  | SCHUTZ      | (RL 534 TR/RL 534 TR-E) |
| 233  | 12728530/0 | 2    | VITE        | SCREW       | VIS         | SCHRAUBE    | (RL 534 TR/RL 534 TR-E) |

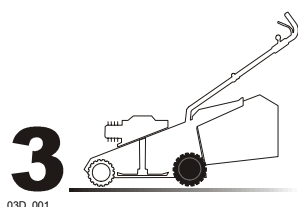


02T.008

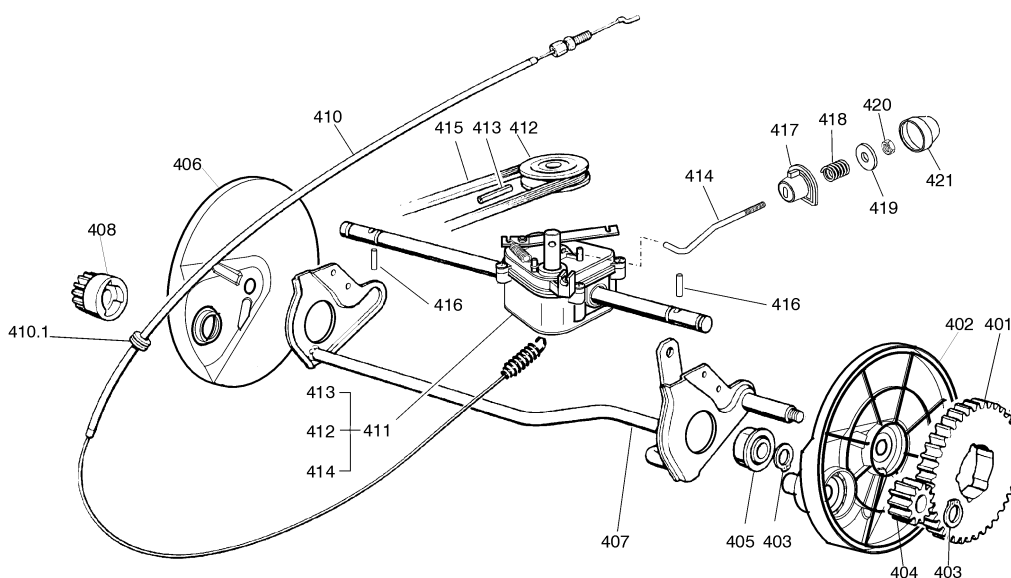
| Pos. | Code       | Q.ty | Descrizione          | Description        | Description        | Beshreibung      | Remarks                 |
|------|------------|------|----------------------|--------------------|--------------------|------------------|-------------------------|
| 251  | 22110262/0 | 2    | COPRIMOZZO BIANCO    | HUB CAP WHITE      | COUVRE-MOYEU BLANC | RADKAPPE WEIßE   |                         |
| -    | 22110263/0 | 2    | COPRIMOZZO GIALLO    | HUB CAP YELLOW     | COUVRE-MOYEU JAUNE | RADKAPPE GELBE   |                         |
| -    | 22110264/0 | 2    | COPRIMOZZO ROSSO     | HUB CAP RED        | COUVRE-MOYEU ROUGE | RADKAPPE ROTE    |                         |
| 252  | 12155000/0 | 4    | DADO                 | NUT                | ECROU              | MUTTER           |                         |
| 253  | 12523060/0 | 4    | RONDELLA             | WASHER             | RONDELLE           | SCHEIBE          |                         |
| 254  | 22034508/0 | 8    | BUSSOLA              | BUSH               | DOUILLE            | BUCHSE           |                         |
| 255  | 81007326/0 | 2    | RUOTA Ø 170          | WHEEL Ø 170        | ROUE Ø 170         | RAD Ø 170        |                         |
| 256  | 81001250/0 | 1    | ASSE RUOTE ANTERIORE | AXLE, FRONT WHEELS | AXE ROUES AVANT    | ACHSE, VORDERRAD | (RL 484 TR/RL 484 TR-E) |

02T.008

| Pos. | Code       | Q.ty | Descrizione                 | Description                    | Description                   | Beshreibung             | Remarks                 |
|------|------------|------|-----------------------------|--------------------------------|-------------------------------|-------------------------|-------------------------|
| 256  | 81001223/1 | 1    | ASSE RUOTE ANTERIORE        | AXLE, FRONT WHEELS             | AXE ROUES AVANT               | ACHSE, VORDERRAD        | (RL 534 TR/RL 534 TR-E) |
| 257  | 12436050/0 | 2    | PIASTRINA                   | PLATE                          | PLAQUETTE                     | PLÄTTCHEN               |                         |
| 258  | 22446180/0 | 1    | MOLLA                       | SPRING                         | RESSORT                       | FEDER                   |                         |
| 259  | 81001246/1 | 1    | ASTA COMANDO REGOL. ALTEZZA | ROD, HEIGHT ADJUSTMENT CONTROL | TIGE COMMANDE REGLAGE HAUTEUR | STANGE, HÖHEVERSTELLUNG | (RL 484 TR/RL 484 TR-E) |
| -    | 81001264/0 | 1    | ASTA COMANDO REGOL. ALTEZZA | ROD, HEIGHT ADJUSTMENT CONTROL | TIGE COMMANDE REGLAGE HAUTEUR | STANGE, HÖHEVERSTELLUNG | (RL 534 TR/RL 534 TR-E) |
| 260  | 12154330/0 | 2    | DADO                        | NUT                            | ECROU                         | MUTTER                  |                         |
| 261  | 12789000/0 | 2    | VITE                        | SCREW                          | VIS                           | SCHRAUBE                |                         |
| 262  | 81003279/2 | 1    | LEVA REGOLAZIONE ALTEZZA    | LEVER, HEIGHT ADJUSTMENT       | LEVIER, REGLAGE HAUTEUR       | HEBEL, HÖHEVERSTELLUNG  |                         |
| 263  | 81007328/0 | 2    | RUOTA Ø 210                 | WHEEL Ø 210                    | ROUE Ø 210                    | RAD Ø 210               |                         |
| 264  | 22110265/0 | 2    | COPRIMOZZO BIANCO           | HUB CAP WHITE                  | COUVRE-MOYEU BLANC            | RADKAPPE WEIßE          |                         |
| -    | 22110266/0 | 2    | COPRIMOZZO GIALLO           | HUB CAP YELLOW                 | COUVRE-MOYEU JAUNE            | RADKAPPE GELBE          |                         |
| -    | 22110267/0 | 2    | COPRIMOZZO ROSSO            | HUB CAP RED                    | COUVRE-MOYEU ROUGE            | RADKAPPE ROTE           |                         |



03D\_001

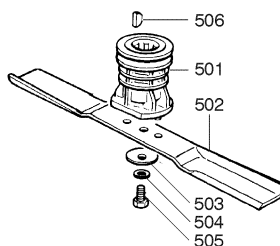
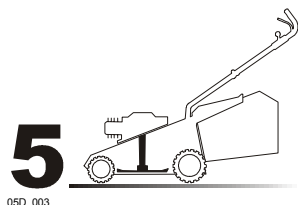


03T.004

| Pos.  | Code       | Q.ty | Descrizione              | Description         | Description              | Beshreibung           | Remarks                 |
|-------|------------|------|--------------------------|---------------------|--------------------------|-----------------------|-------------------------|
| 401   | 22120105/1 | 2    | CORONA                   | RING GEAR           | COURONNE                 | KRANZ                 |                         |
| 402   | 22600093/0 | 1    | PROT. RUOTE SX           | PROTECTION, L WHEEL | PROTECTION ROUE G        | SCHÜTZ, LINKES RÄDER  |                         |
| 403   | 12608600/0 | 4    | SEEGER                   | SEEGER              | SEEGER                   | SEEGER                |                         |
| 404   | 22570120/1 | 1    | PIGNONE SX               | PINION L            | PIGNON G                 | RITZEL LINKES         |                         |
| 405   | 19216035/0 | 2    | CUSCINETTO               | BEARING             | COUSSINET                | LAGER                 |                         |
| 406   | 22600092/0 | 1    | PROT. RUOTE DX           | PROTECTION, R WHEEL | PROTECTION ROUE D        | SCHÜTZ, RECHTES RÄDER |                         |
| 407   | 81000147/0 | 1    | ASSE RUOTE POSTERIORE    | AXLE, REAR WHEELS   | AXE ROUES ARRIERE        | ACHSE, HINTERRAD      |                         |
| 408   | 22570110/1 | 1    | PIGNONE DX               | PINION R            | PIGNON D                 | RITZEL RECHTES        |                         |
| 410   | 81000645/0 | 1    | CAVO COMANDO TRAZIONE    | CABLE, REAR DRIVE   | CÂBLE, COMMANDE TRACTION | KABEL, ANTRIEB        | (BI. CI. DI.)           |
| -     | 81001143/0 | 1    | CAVO COMANDO TRAZIONE    | CABLE, REAR DRIVE   | CÂBLE, COMMANDE TRACTION | KABEL, ANTRIEB        | (FRANCE REDUCTEURS)     |
| 410.1 | 18564510/0 | 1    | PASSACAVO                | FAIR LEAD           | PASSE CABLE              | KABELDURCHGANG        | (BI. CI. DI.)           |
| 411   | 81003072/1 | 1    | GRUPPO TRAZIONE (GRIGIO) | GEAR BOX (GREY)     | GROUPE TRACTION (GRIS)   | ANTRIEB (GRAU)        | (BI. CI. DI.)           |
| -     | 81003059/2 | 1    | GRUPPO TRAZIONE          | GEAR BOX            | GROUPE TRACTION          | ANTRIEB               | (FRANCE REDUCTEURS)     |
| 412   | 22601904/0 | 1    | PULEGGIA                 | PULLEY              | POULIE                   | RIEMENSCHLEIBE        |                         |
| 413   | 12645705/0 | 1    | SPINA                    | PIN                 | GOUPILLE                 | STIFT                 |                         |
| 414   | 22033280/0 | 1    | ASTA REGOLAZIONE         | ADJUSTMENT ROD      | TIGE REGLAGE             | VERSTELLUNGSTANGE     |                         |
| 415   | 35063800/0 | 1    | CINGHIA Z 27             | BELT Z 27           | COURROIE Z 27            | RIEMEN Z 27           | (RL 484 TR/RL 484 TR-E) |
| -     | 35063902/0 | 1    | CINGHIA Z 29.5           | BELT Z 29.5         | COURROIE Z 29.5          | RIEMEN Z 29.5         | (RL 534 TR/RL 534 TR-E) |

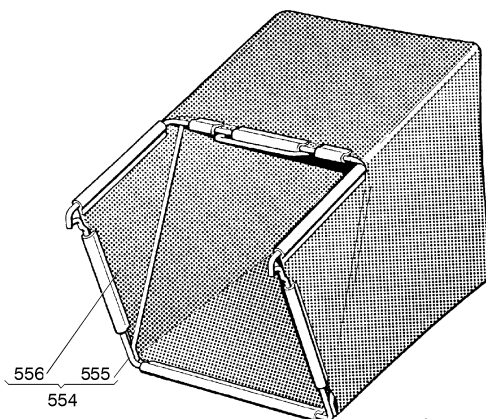
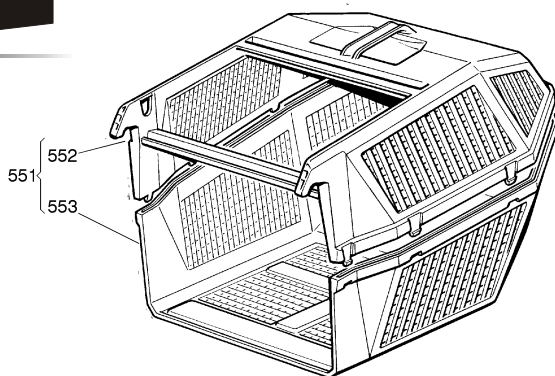
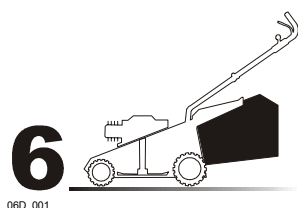
03T.004

| Pos. | Code       | Q.ty | Descrizione | Description | Description | Beshreibung  | Remarks |
|------|------------|------|-------------|-------------|-------------|--------------|---------|
| 416  | 22753000/0 | 2    | SPINA       | PIN         | GOUPILLE    | STIFT        |         |
| 417  | 22041957/1 | 1    | BUSSOLA     | BUSH        | DOUILLE     | BUCHSE       |         |
| 418  | 22450063/0 | 1    | MOLLA       | SPRING      | RESSORT     | FEDER        |         |
| 419  | 22680009/0 | 1    | RONDELLA    | WASHER      | RONDELLE    | SCHEIBE      |         |
| 420  | 12154510/0 | 1    | DADO        | NUT         | ECROU       | MUTTER       |         |
| 421  | 22110230/0 | 1    | TAPPO       | CAP         | BOUCHON     | GUMMISTOPFEN |         |



05T.010

| Pos. | Code       | Q.ty | Descrizione        | Description     | Description        | Beshreibung        | Remarks |
|------|------------|------|--------------------|-----------------|--------------------|--------------------|---------|
| 501  | 22465607/0 | 1    | MOZZO CON PULEGGIA | HUB WITH PULLEY | MOYEU AVEC POULIE  | NABE MIT SCHEIBE   |         |
| 502  | 81004346/3 | 1    | COLTELLO STANDARD  | BLADE STANDARD  | LAME STANDARD      | MESSER STANDARD    | (46 cm) |
| -    | 81004397/0 | 1    | COLTELLO ALETTATO  | BLADE WINGED    | LAME AILETTÉE      | MESSER FLÜGEL      | (46 cm) |
| -    | 81004381/1 | 1    | COLTELLO STANDARD  | BLADE STANDARD  | LAME STANDARD      | MESSER STANDARD    | (51 cm) |
| -    | 81004398/0 | 1    | COLTELLO ALETTATO  | BLADE WINGED    | LAME AILETTÉE      | MESSER FLÜGEL      | (51 cm) |
| 503  | 22160400/0 | 1    | DISCO ELASTICO     | ELASTIC WASHER  | RONDELLE ELASTIQUE | ELASTISCHE SCHEIBE |         |
| 504  | 12523080/0 | 1    | RONDELLA           | WASHER          | RONDELLE           | SCHEIBE            |         |
| 505  | 12735698/0 | 1    | VITE               | SCREW           | VIS                | SCHRAUBE           |         |
| 506  | 12139100/0 | 1    | LINGUETTA          | FEATHER         | CLAVETTE           | KEIL               |         |



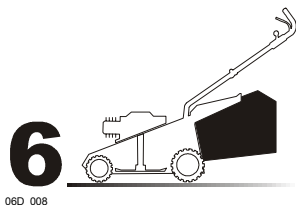
06T.001

| Pos. | Code       | Q.ty | Descrizione      | Description            | Description            | Beshreibung     | Remarks |
|------|------------|------|------------------|------------------------|------------------------|-----------------|---------|
| 551  | 98005000/1 | 1    | SACCO, COMPLETO  | GRASSCATCHER, COMPLETE | SAC, COMPLETE          | SACK, KOMPLETTE |         |
| 552  | 22486076/0 | 1    | SACCO, PARTE SUP | GRASS-BOX, UPPER PART  | SAC, PARTIE SUPERIEURE | KORB, OBERTEIL  |         |
| 553  | 22486077/0 | 1    | SACCO, PARTE INF | GRASS-BOX, LOWER PART  | SAC, PARTIE INFERIEURE | KORB, UNTERTEIL |         |

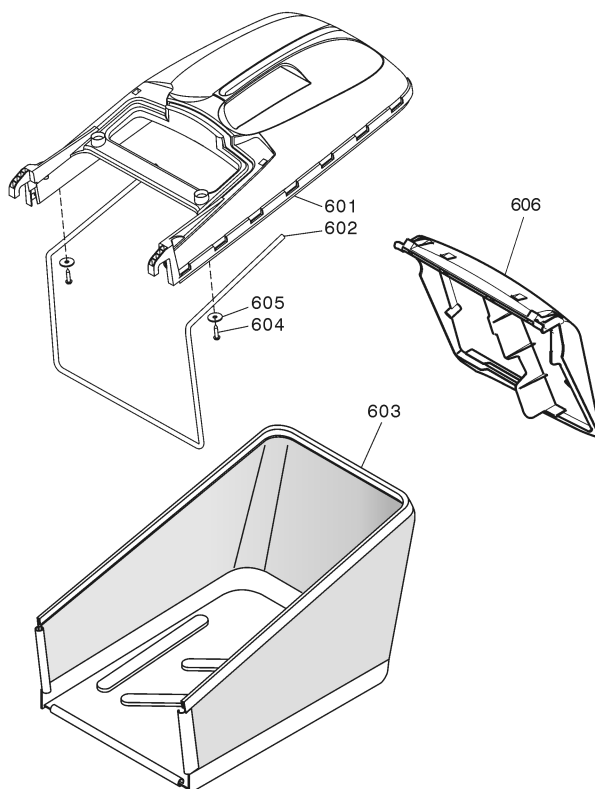
## GLOBAL GARDEN PRODUCTS

06T.001

| Pos. | Code       | Q.ty | Descrizione             | Description                    | Description            | Beshreibung     | Remarks |
|------|------------|------|-------------------------|--------------------------------|------------------------|-----------------|---------|
| 554  | 98004000/0 | 1    | SACCO IN TELA, COMPLETO | GRASSCATCHER, CANVASS COMPLETE | SAC EN TOILE, COMPLETE | SACK, KOMPLETTE |         |
| 555  | 81006408/0 | 1    | TELAIO SACCO            | CHASSIS BOX                    | CHÂSSIS BAC            | RAHMEN SACK     |         |
| 556  | 81002105/2 | 1    | SACCO, TELA             | BOX, FABRIC                    | SAC, TOILE             | SACK, TUCK      |         |



06D\_008



06T.008

| Pos. | Code       | Q.ty | Descrizione      | Description           | Description            | Beshreibung        | Remarks |
|------|------------|------|------------------|-----------------------|------------------------|--------------------|---------|
| 601  | 22486101/0 | 1    | SACCO, PARTE SUP | GRASS-BOX, UPPER PART | SAC, PARTIE SUPERIEURE | KORB, OBERTEIL     |         |
| 602  | 22608525/0 | 1    | RINFORZO INF     | STIFFENING LOWER      | RÉNFORCEMENT INF       | VERSTÄRKUNG UNTERE |         |
| 603  | 81002211/0 | 1    | SACCO, TELA      | BOX, FABRIC           | SAC, TOILE             | SACK, TUCK         |         |
| 604  | 12728680/0 | 2    | VITE             | SCREW                 | VIS                    | SCHRAUBE           |         |
| 605  | 12523050/0 | 2    | RONDELLA         | WASHER                | RONDELLE               | SCHEIBE            |         |
| 606  | 22600063/1 | 1    | PARASASSI        | STONE-GUARD           | PARE-PIERRES           | PRALLBLECH         |         |