



Green Passion

Illustrated Parts List

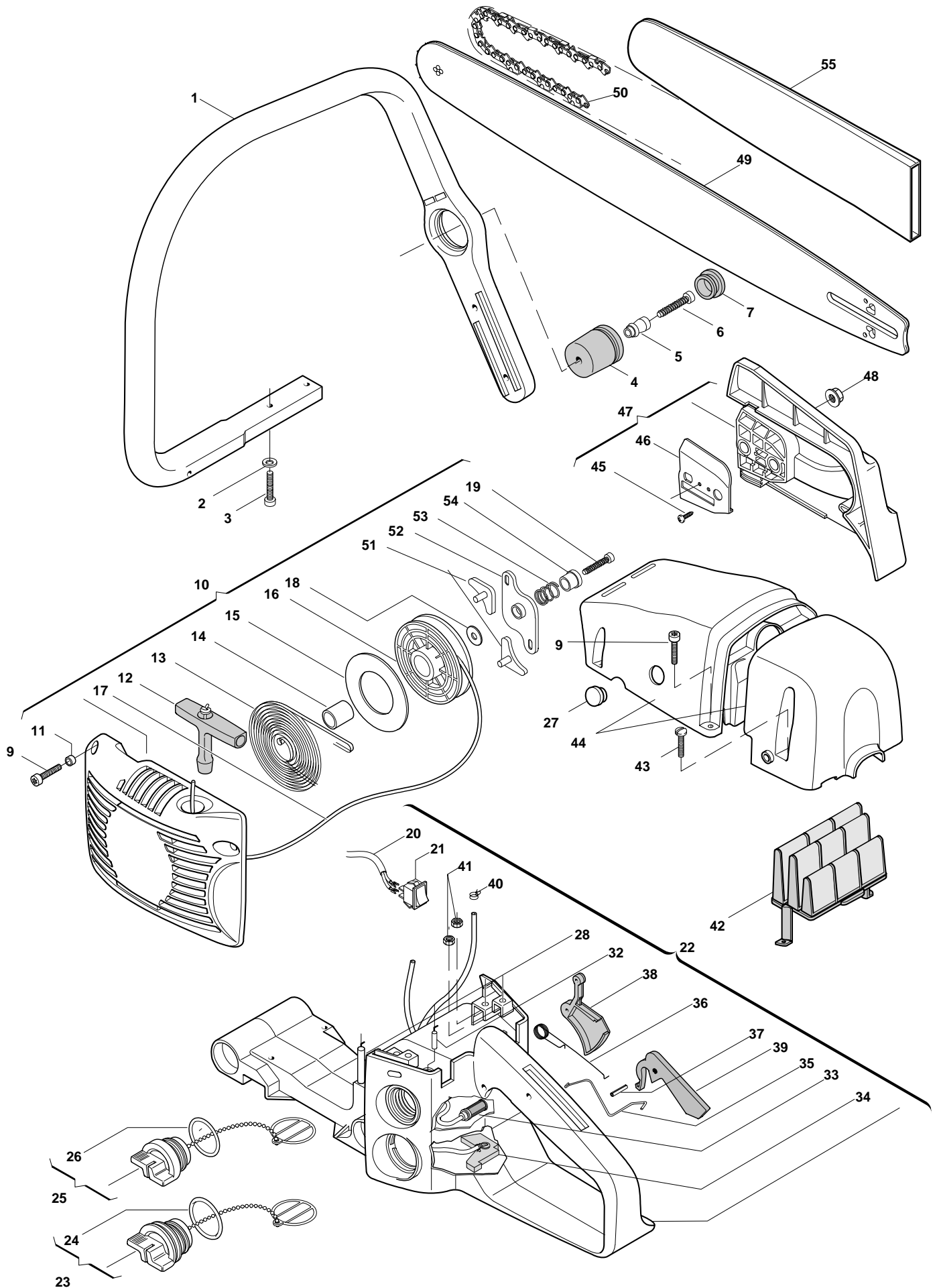
XC 52 P - Model Year 2009

- Use GLOBAL GARDEN PRODUCT Genuine Spare Parts specified in the parts list for repair and/or replacement.
- The contents described in the parts list may change due to improvement.
- The drawings of the spare parts are only indicative and might not represent the part in question exactly.
- The indications "right" - "left" - "front" - "rear" refer to the position of the operator when using the machine.
- When placing orders of parts for repair and/or replacement, make sure that the illustrated parts list is the one applying to the machine's year of manufacture, as shown on the identification plate attached to the machine.

COPYRIGHT by GLOBAL GARDEN PRODUCTS

All rights reserved. No part of this material may be reproduced or transmitted, in any form or by any means, electronic or mechanical, including photocopying, recording or by any information storage and retrieval system, without permission in writing from GLOBAL GARDEN PRODUCTS.

Housing



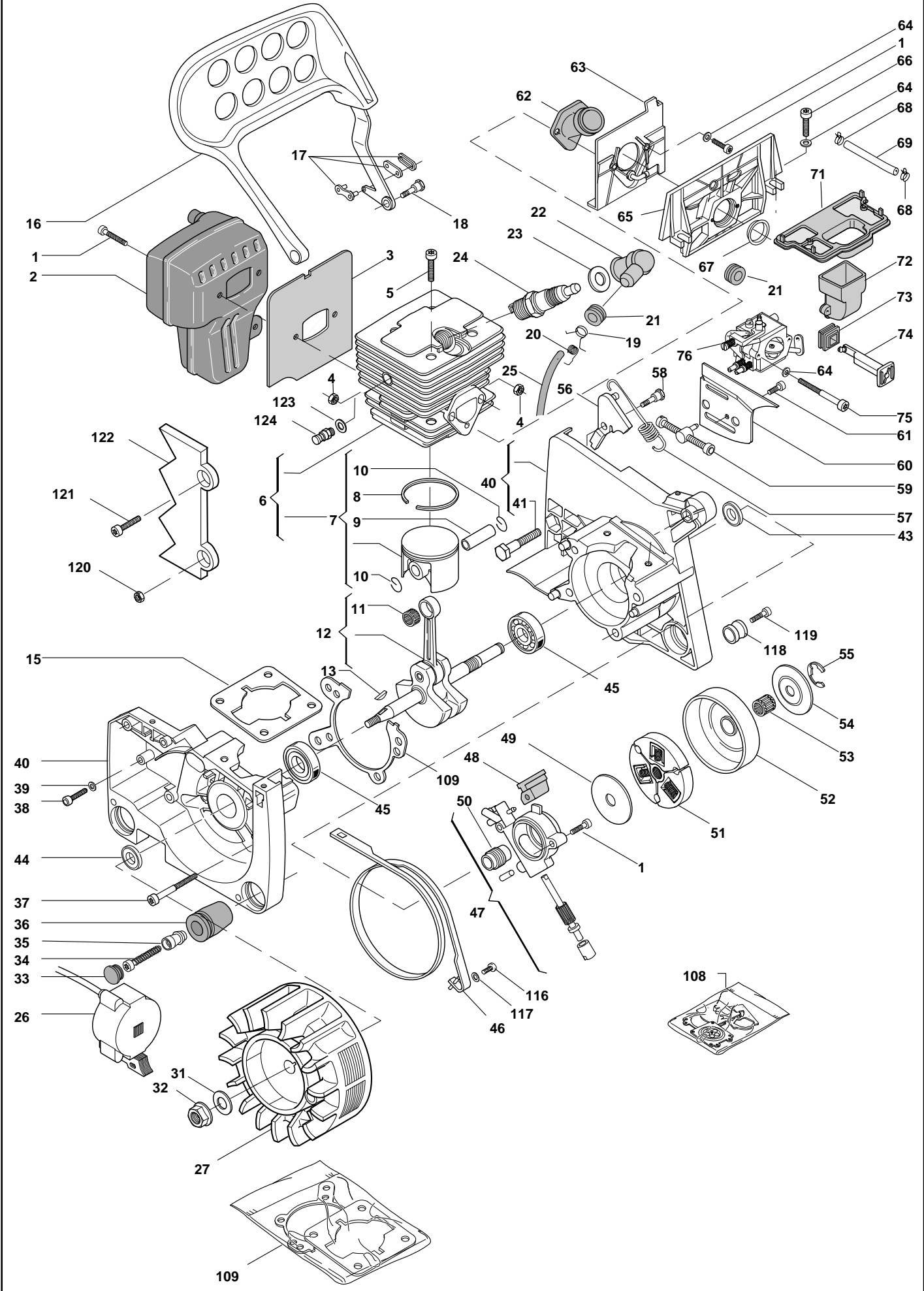


XC 52 P - Model Year 2009

Housing

Pos.	Part no.	Q.ty	Description	Remarks
1	4562397	1	Handle	
2	2312090	10	Washer	
3	2123030	4	Screw	
4	3744250	5	Shock Absorber	
5	3642680	5	Bushing	
6	2135030	7	Screw	
7	3749837	5	Cap	
9	2135040	9	Screw	
10	4252176	1	Starter Assy Orange	
11	2382250	4	Bushing	
12	3749437	1	Starter Handle	
13	4611480	1	Spring	
14	3623510	1	Bushing	
15	3723640	1	Disc	
16	4563040	1	Starter Pulley	
17	3784010	1	Starter Cord	
18	3613420	1	Washer	
19	2123030	1	Screw	
20	8211060	1	Ground Terminal Assy	
21	3210970	1	Stop Switch	
22	83300004/0	1	Handle Assy	
23	4250950	1	Fuel Cap Assy (Incl. 24)	
24	3721300	1	Or Ring	
25	4250960	1	Oil Cap Assy (Incl. 26)	
26	3721330	1	Or Ring	
27	3750550	1	Cap Yellow	
27	3750555	1	Cap Orange	
28	4253580	1	Fuel Tube Assy	
32	4253690	1	Oil Tube Assy	
33	8782880	1	Oil Filter Assy	
34	8782870	1	Intake Filter Assy	
35	3655290	1	Throttle Rod	
36	3654180	1	Spring	
37	3314140	2	Pin	
38	3743387	1	Throttle Lever	
39	3743397	1	Safety Lever	
40	3320170	1	Clamp	
41	2412030	4	Nut	
42	3781590	1	Air Filter	
43	2653190	2	Screw	
44	8563505/1	1	Filter Cover Orange	
45	2123060	1	Screw	
46	3613890	1	Plate	
47	4252835	1	Clutch Housing Orange	
48	2670120	2	Nut	
49	4112450	1	Guide Bar 16"	16" 325" .058" (1.5 Mm)
49	4112490	1	Guide Bar 18"	18" 325" .058" (1.5 Mm)
49	4112640	1	Guide Bar 20"	20" 325" .058" (1.5 Mm)
49	4112660	1	Guide Bar 13"	13" 325" .058" (1.5 Mm)
50	4113720	1	Chain 13"	13" 325" .058" (1.5 Mm) - 56E
50	4113721	1	Chain 16"	16" 325" .058" (1.3 Mm) - 66E
50	4113722	1	Chain 18"	18" 325" .058" (1.3 Mm) - 72E
50	4113723	1	Chain 20"	20" 325" .058" (1.5 Mm) - 78E
51	3750080	2	Starter Hook	
52	3750090	1	Guide	
53	3654390	1	Spring	
54	3642980	1	Bushing	
55	4181307	1	Chain Cover	

Engine



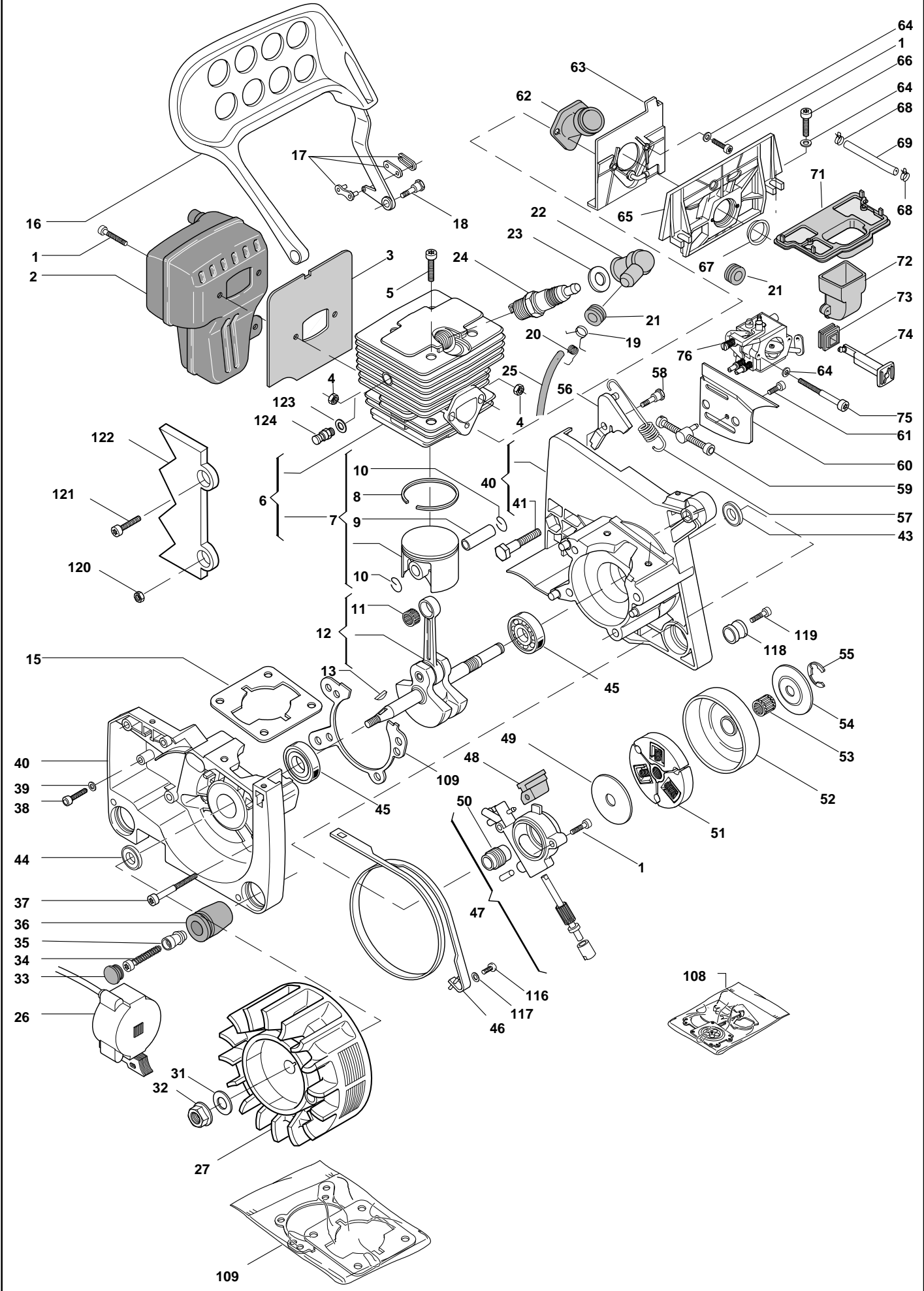


XC 52 P - Model Year 2009

Engine

Pos.	Part no.	Q.ty	Description	Remarks
1	2135030	6	Screw	
2	4121931	1	Muffler Assy	
3	3615180	1	Muffler Gasket	
4	2432040	4	Nut	
5	2135030	4	Screw	
6	8540970/2	1	Cyl-Pist R 45 (Incl.49)	
7	8540960	1	Piston Ass.Y R 45 (Incl.46-48)	
8	3123110	1	Piston Ring R 45	
9	3158080	1	Piston Pin R 45	
10	3356020	2	Circlip	
11	3116020	1	Needle Bearing	
12	8251360	1	Crankshaft (Incl. 11)	
13	3151010	1	Flywheel Key	
15	3724190	1	Cylinder Gasket	
16	4563940	1	Hand-Guard	
17	4250720	1	Chain Connection	
18	3630660/1	1	Pin	
19	3657450	1	Clamp	
20	3657050	1	Spark Plug Spring	
21	3745130	2	Grommet	
22	3748880	1	Spark Plug Cover	
23	3721420	1	Washer	
24	3210024	1	Spark Plug	
25	3211080	1	Spark Plug Cable	
26	3210690	1	Electr. Coil (Incl.25)	
27	4541220	1	Flywheel	
31	2312080	1	Washer	
32	2432050	1	Nut	
33	3749837	5	Cap	
34	2123030	8	Screw	
35	3642680	5	Bushing	
36	3744250	5	Shock Absorber	
37	2135130	4	Screw	
38	2132510	2	Screw	
39	2321050	2	Washer	
40	8520940	1	Crankcase Assy	
41	2112460/1	2	Screw	
43	3121120	1	Seal Ring	
44	3121070	1	Seal Ring	
45	3112030	2	Ball Bearing	
46	3613760	1	Brake Band	
47	8251590	1	Oil Pump Assy	
48	3744730	1	Gasket	
49	3613770	1	Washer	
50	3180310	1	Female Screw	
51	4252820/1	1	Clutch Assy (3)	
52	4121960	1	Sprocket	
53	3114080	1	Needle Bearing	
54	3612620	1	Washer	
55	12000955/0	1	Benzing	
56	4121970	1	Chain Brake Lever	
57	3654580	1	Spring	
58	3630670	1	Pin	
59	4251710	1	Chain Tensioner	
60	3613880	1	Plate	
61	2132500	1	Screw	
62	3744710	1	Intake Manifold	
63	4251730	1	Flange Assy	
64	2312090	10	Washer	
65	4520960	1	Support Carburettor	
66	2135040	9	Screw	
67	3613900	1	Bushing	
68	3657140	2	Clamp	
69	3782850	1	Carb. Pulse Pipe	
71	3781580	1	Air Filter Support	
72	3750320	1	Air Filter Holder	
73	3745650	1	Grommet	

Engine





XC 52 P - Model Year 2009

Engine

Pos.	Part no.	Q.ty	Description	Remarks
74	3743407	1	Choke Lever	
75	2135110	2	Screw	
76	23054002/2	1	Carburettor	
108	8724090	1	Diaph.-Gasket Set	
109	8724230	1	Gasket Set	
116	2125010	1	Screw	
117	2312120	1	Washer	
118	3749400	1	Chain Guard	
119	2135050	1	Screw	
120	2432040	1	Nut	
121	2135010	1	Screw	
122	3614510/1	1	Spike	
123	2360060	1	Washer	
124	4252080/2	1	Assy Decompressor	