



Green Passion

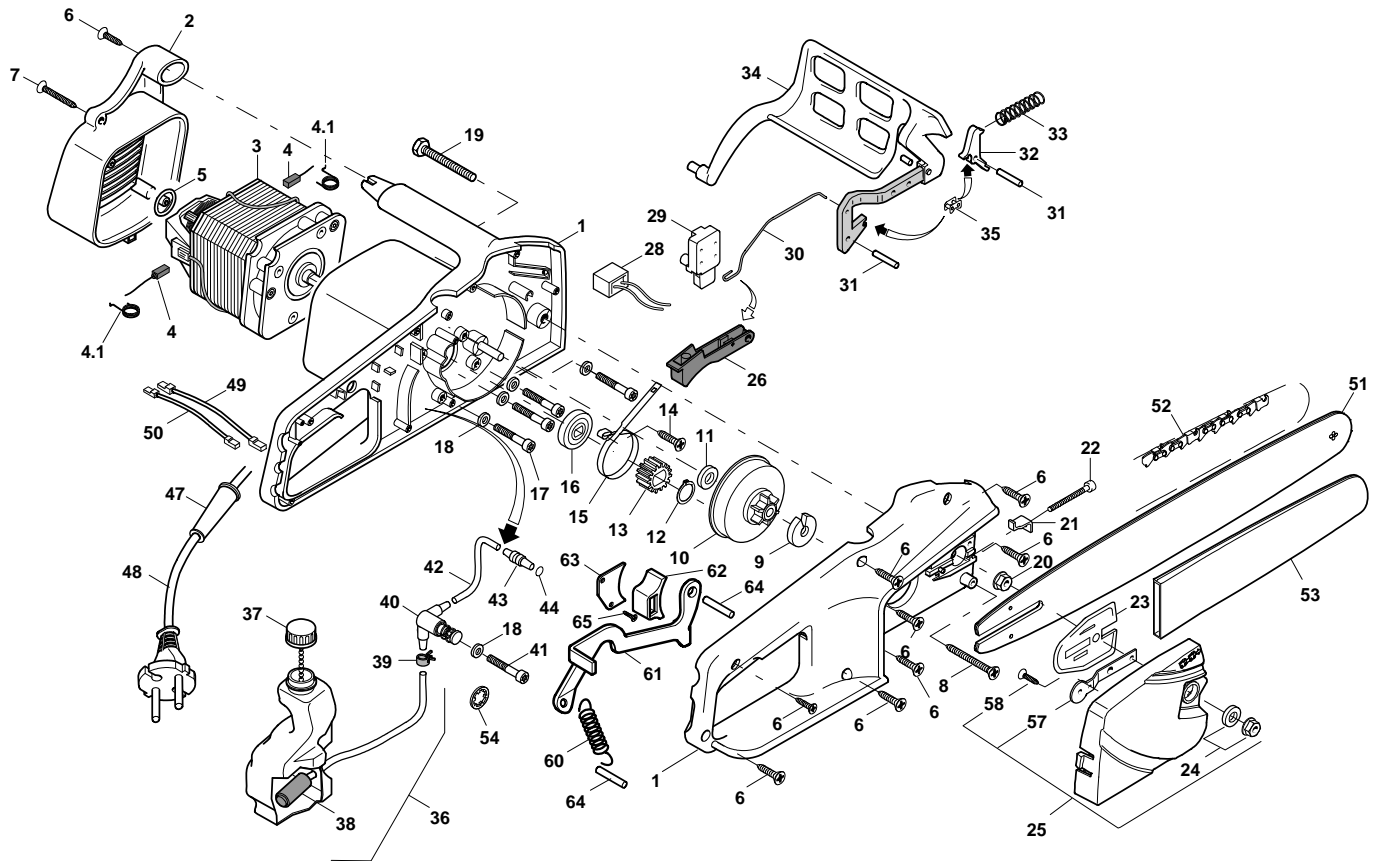
Illustrated Parts List

XC 19 PE - Model Year 2009

- Use GLOBAL GARDEN PRODUCT Genuine Spare Parts specified in the parts list for repair and/or replacement.
- The contents described in the parts list may change due to improvement.
- The drawings of the spare parts are only indicative and might not represent the part in question exactly.
- The indications "right" - "left" - "front" - "rear" refer to the position of the operator when using the machine.
- When placing orders of parts for repair and/or replacement, make sure that the illustrated parts list is the one applying to the machine's year of manufacture, as shown on the identification plate attached to the machine.

COPYRIGHT by GLOBAL GARDEN PRODUCTS

All rights reserved. No part of this material may be reproduced or transmitted, in any form or by any means, electronic or mechanical, including photocopying, recording or by any information storage and retrieval system, without permission in writing from GLOBAL GARDEN PRODUCTS.



Pos.	Part no.	Q.ty	Description	Remarks
1	383300012/0	1	Handle Assy, Red	
2	4563610	1	End Cover Grey	
3	8251900	1	Motor Assy	230 V
4.1	23430550/0	2	Spring	
4	3211331	2	Brushhold	
5	8721480	1	Or Ring Kit	
6	2123210	9	Screw	
7	2123220	2	Screw	
8	2123230	1	Screw	
9	3614300	1	Side Plate	
10	8562940	1	Gear Assy	
11	3611961	1	Washer	
12	3353020	1	Snap Ring	
13	3660580	1	Sprocket	
14	2123250	1	Screw	
15	3614690	1	Brake Band	
16	3660570/1	1	Brake Blade	
17	2135040	4	Screw	
18	2312090	5	Washer	
19	2112490	1	Screw	
20	2670120	1	Nut	
21	3614310	1	Bar Adjusting Block	
22	2122270	1	Screw	
23	3614280/1	1	Bar Plate	
24	8642820	1	Nut Assy With Busching	
25	383109501/0	1	Bar Holder Assy Grey	
26	3743497/1	1	Switch Lever	
28	3211210	1	Condenser	
29	3211200	1	Switch	



XC 19 PE

XC 19 PE - Model Year 2009

Pos.	Part no.	Q.ty	Description	Remarks
30	23835000/0	1	Switch Rod	
31	3180390	1	Pin	
32	3614260	1	Lever	
33	3653720	1	Spring	
34	8563510	1	Protector	
35	4252020	1	Chain Brake Link Assy	
36	4252000/1	1	Oil Tank	
37	4252010	1	Cap Oil Tank	
38	8642570	1	Filter Intank Assy With Pipe	
39	3320170	1	Clamp	
40	8750100	1	Oil Pump	
41	2123030	1	Screw	
42	3786010	1	Oil Tube	
43	3750010	1	Nozzle	
44	3721030	1	Gasket	
47	3744767	1	Feed Fairlead	
48	3211250	1	Power Cord Assy	
48	3211340	1	Power Cord Assy	Gb
48	3211440	1	Power Cord Assy	Ch - Bra
48	3211540	1	Power Cord Assy	Arg
48	3211640/1	1	Power Cord Assy	Australia
49	3211231	1	Engine Wire	
50	3211221	1	Engine Wire	
51	23900110/0	1	Guide Bar 14"	14" 3/8" Mini .050" (1.3 Mm)
51	23900111/0	1	Guide Bar 16"	16" 3/8" Mini .050" (1.3 Mm)
52	4113702	1	Chain 14"	14" 3/8" .050" (1.3 Mm) - 50E
52	4113705	1	Chain 16"	16" 3/8" .050" (1.3 Mm) - 56E
53	4181297	1	Chain Cover	
53	4181307	1	Chain Cover	
54	12604897/0	2	Washer	
57	3614290	1	Bar Plate	
58	2123060	1	Screw	
60	23430556/0	1	Spring	
61	23315057/0	1	Lever	
62	23487000/0	1	Link Block	
63	23311000/0	1	Plate	
64	3180390	2	Pin	
65	2123090	1	Screw	