



Green Passion

Illustrated Parts List

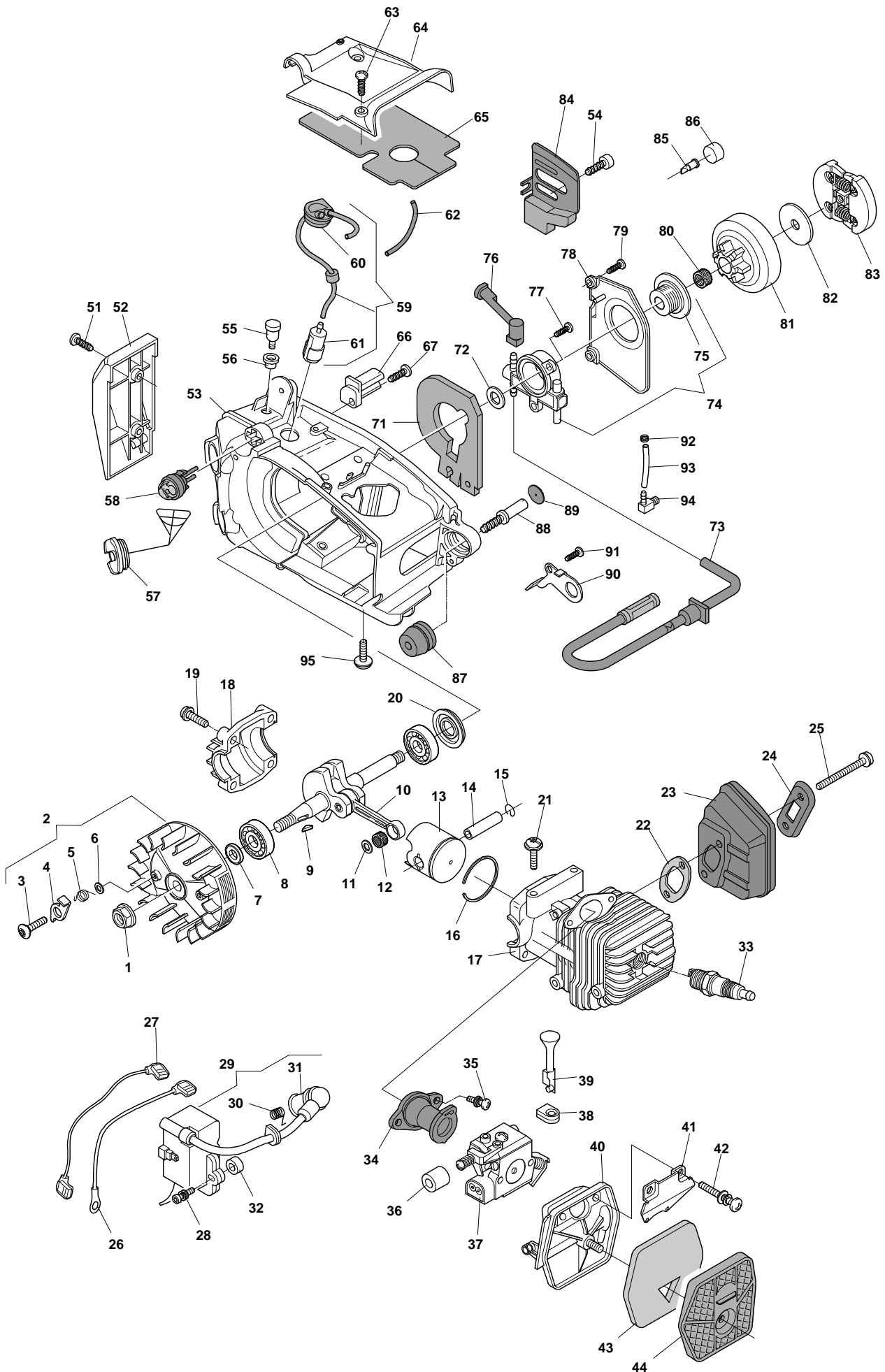
XC 27 P - Model Year 2009

- Use GLOBAL GARDEN PRODUCT Genuine Spare Parts specified in the parts list for repair and/or replacement.
- The contents described in the parts list may change due to improvement.
- The drawings of the spare parts are only indicative and might not represent the part in question exactly.
- The indications "right" - "left" - "front" - "rear" refer to the position of the operator when using the machine.
- When placing orders of parts for repair and/or replacement, make sure that the illustrated parts list is the one applying to the machine's year of manufacture, as shown on the identification plate attached to the machine.

COPYRIGHT by GLOBAL GARDEN PRODUCTS

All rights reserved. No part of this material may be reproduced or transmitted, in any form or by any means, electronic or mechanical, including photocopying, recording or by any information storage and retrieval system, without permission in writing from GLOBAL GARDEN PRODUCTS.

Engine



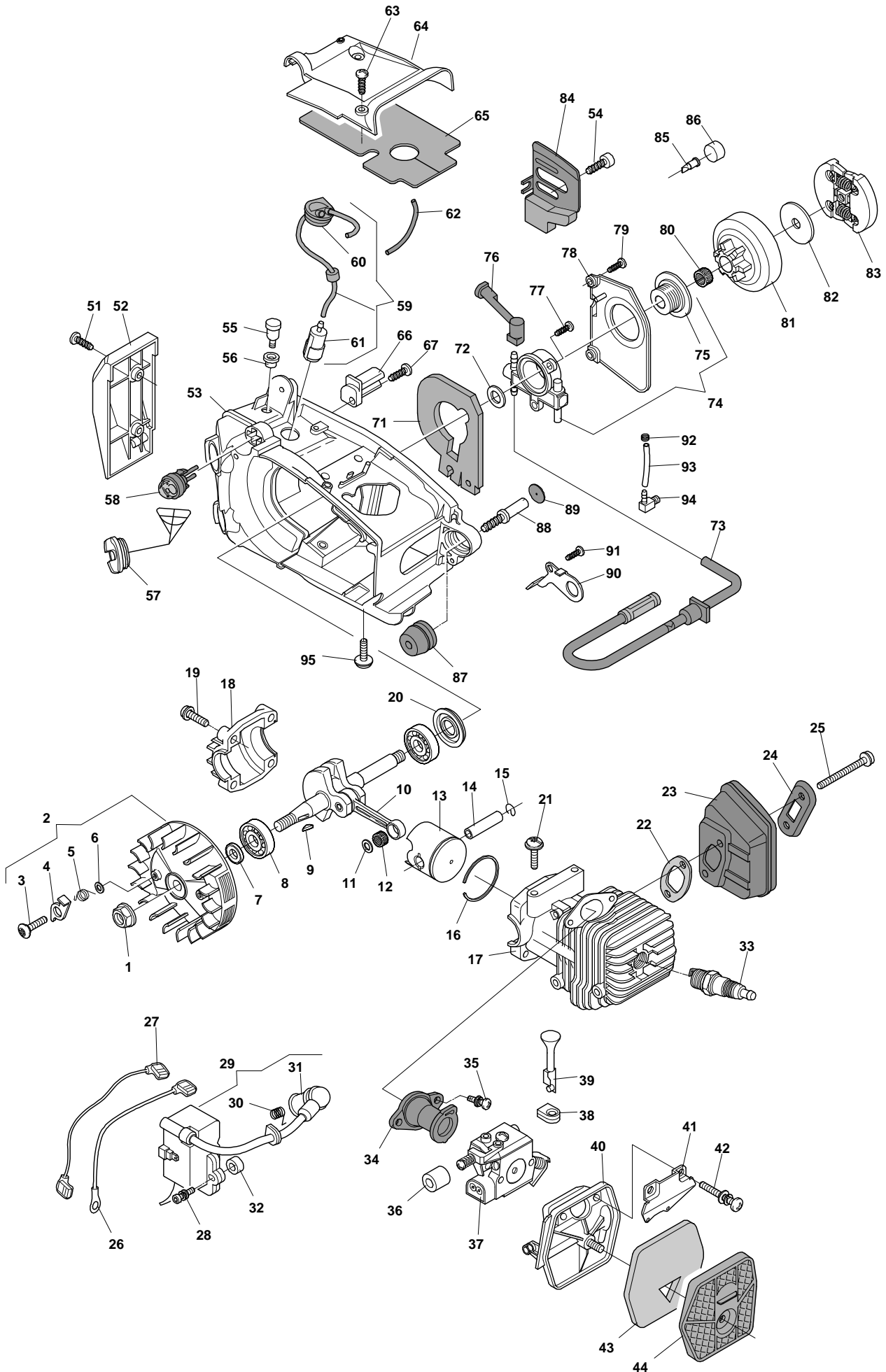


XC 27 P - Model Year 2009

Engine

Pos.	Part no.	Q.ty	Description	Remarks
1	6995173	1	Nut	
2	6995207	1	Flywheel Assy	
3	6995224	2	Screw	
4	6995208	2	Flywheel Starter Hook	
5	6995250	2	Flywheel Spring	
6	6995225	2	Washer	
7	6995247	1	Seal Ring	
8	6995170	2	Ball Bearing	
9	6995018	1	Flywheel Key	
10	6995202	1	Crankshaft	
11	6995169	2	Washer	
12	6995237	1	Needle Bearing	
13	6995200	1	Piston	
14	6995172	1	Piston Pin	
15	6995171	2	Washer, Piston Pin	
16	6995201	1	Piston Ring	
17	6995245	1	Cylinder Assy	
18	6995186	1	Stabilizer	
19	6995252	4	Screw	
20	6995248	1	Seal Ring	
21	6995229	4	Screw	
22	6995185	1	Muffler Gasket	
23	6995246	1	Muffler	
24	6995251	1	Plate	
25	6995182	2	Screw	
26	6995210	1	Earth Cable	
27	6995227	1	Stop Wire	
28	6995234	2	Screw	
29	6995209	1	Electronic Coil	
30	6995022	1	Spark Plug Spring	
31	6995066	1	Spark Plug Cover	
32	6995238	2	Bushing	
33	3210024	1	Spark Plug	
34	6995183	1	Intake Manifold Assy	
35	6995167	2	Screw	
36	6995212	1	Gasket	
37	6995244	1	Carburettor	
38	6995214	1	Grommet	
39	6995213	1	Choke Lever Rod	
40	6995243	1	Air Filter Support	
41	6995168	2	Screw	
41	6995211	1	Plate	
43	6995217	1	Air Filter	
44	6995216	1	Air Cleaner Cover	
51	23878008/0	2	Screw	
52	6995175	1	Front Cover	
53	6995239	1	Crankase Ass.Y	
54	6995187	2	Screw	
55	6995221	1	Breather Valve Ass.Y	
56	6995232	1	Grommet	
57	6995193	2	Cap Ass'Y	
58	6995228	1	Air Purge	
59	6995188	1	Grommet Ass.Y	
60	6995189	1	Grommet	
61	6995174	1	Fuel Pickup Assy	
62	6995190	1	Tube	
63	23878008/0	2	Screw	
64	6995249	1	Upper Cover	
65	6995194	1	Guard	
66	6995180	1	Chain Guard	
67	6995179	1	Screw	
71	6995204	1	Gasket	
72	6995223	1	Washer	
73	6995191	1	Filter Intank Assy With Pipe	
74	6995242	1	Oil Pump Assy	
75	6995222	1	Female Screw	
76	6995205	1	Tube	

Engine



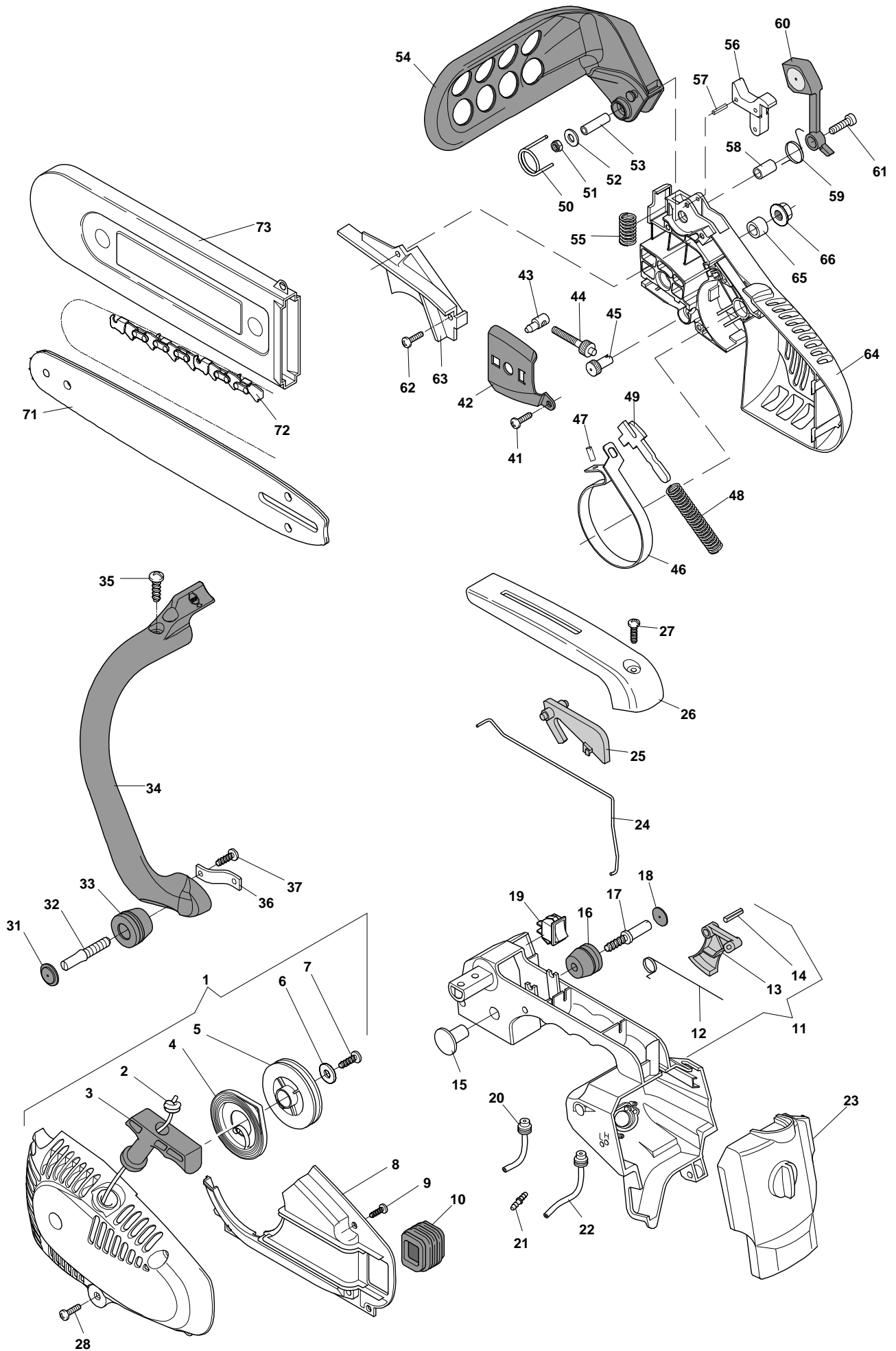


XC 27 P - Model Year 2009

Engine

Pos.	Part no.	Q.ty	Description	Remarks
77	6995008	2	Screw	
78	6995206	1	Cover Pump	
79	23878008/0	2	Screw	
80	6995230	1	Needle Bearing	
81	6995176	1	Drum Ass'Y, Clutch 3/8"	
81	6995178	1	Drum Ass'Y, Clutch 1/4"	
82	6995203	1	Sprocket Washer	
83	6995177	1	Clutch Ass.Y	
84	6995241	1	Plate	
85	6995220	1	Valve	
86	6995192	1	Gasket	
87	23275005/0	1	Shock Absorber	
88	23878007/0	1	Screw	
89	23790006/0	1	Cap	
90	6995219	1	Clamp	
91	23878009/0	1	Screw	
92	6995231	1	Fair Led	
93	6995184	1	Tube	
94	6995235	1	Tube Connection	
95	6995181	1	Screw	

Housing



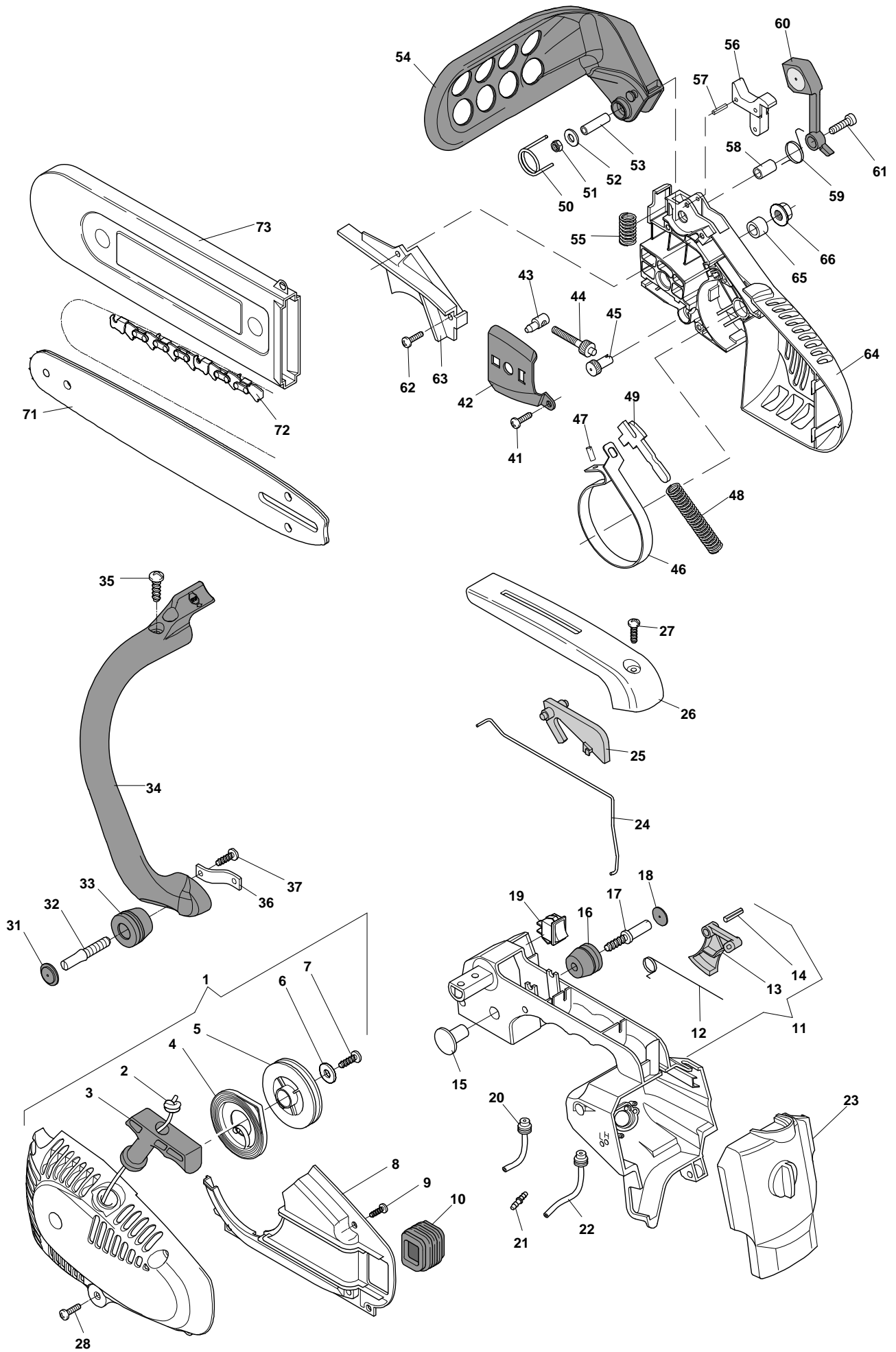


XC 27 P - Model Year 2009

Housing

Pos.	Part no.	Q.ty	Description	Remarks
1	83058008/0	1	Starter Assy Red	
2	23234000/0	1	Starter Cord	
3	3750067	1	Starter Handle	
4	23430557/0	1	Starter Spring	
5	23604001/0	1	Starter Pulley	
6	23657002/0	1	Washer	
7	23878010/0	1	Screw	
8	23107501/0	1	Air Conveyor	
9	23878008/0	1	Screw	
10	23275004/0	1	Grommet	
11	6995240	1	Handle Assy	
12	6995114	1	Spring	
13	6995134	1	Throttle Lever	
14	6995016	1	Pin	
15	6995196	1	Cap	
16	23275005/0	1	Shock Absorber	
17	23878007/0	1	Screw	
18	23790006/0	1	Cap	
19	6995226	1	Switch	
20	6995198	1	Tube	
21	6995199	2	Tube Connection	
22	6995197	2	Tube	
23	6995218	1	Rear Cover	
24	6995215	1	Throttle Rod	
25	6995135	1	Safety Lever	
26	6995195	1	Handle, Upper Part	
27	23878008/0	1	Screw	
28	23878008/0	4	Screw	
31	23790006/0	1	Cap	
32	23878007/0	1	Screw	
33	23275005/0	1	Shock Absorber	
34	23105000/0	1	Handle	
35	23878010/0	2	Screw	
36	23200001/0	1	Plate	
37	23878010/0	1	Screw	
41	23878009/0	1	Screw	
42	23311003/0	1	Bar Plate	
43	23796004/0	1	Bar Adjusting Block	
44	23878005/0	1	Screw	
45	23510093/0	1	Pin	
46	23448001/0	1	Brake Band	
47	23665001/0	1	Pin	
48	23430561/0	1	Spring	
49	23315061/0	1	Lever	
50	23430560/0	1	Spring	
51	23120000/0	1	Nut	
52	23657003/0	1	Washer	
53	23044206/0	1	Bushing	
54	23455005/0	1	Hand Guard	
55	23430559/0	1	Spring	
56	83315050/0	1	Chain Brake Lever	
57	23665000/0	1	Roller	
58	23044207/0	1	Bushing	
59	23430558/0	1	Spring	
60	23080000/0	1	Balance Weigth	
61	23878006/0	1	Screw	
62	23878009/0	3	Screw	
63	23109515/0	1	Brake Cover	
64	23059009/0	1	Clutch Housing Red	
65	3641380	1	Bushing	
66	2670120	1	Nut	
71	123900114/0	1	Guide Bar 12"	12" 3/8" Mini .050" (1.3 mm)
71	23900300/0	1	Guide Bar 10"	10" 3/8" Mini .050" (1.3 mm)
71	23900301/0	1	Guide Bar 10"	10" Carving 1/4" Mini .050" (1.3 mm)
72	4113281	1	Chain 12"	12" 3/8" .050" (1.3 Mm) - 45E
72	4113709	1	Chain 10"	10" 3/8" .050" (1.3 Mm) - 40E
72	4113760	1	Chain 10"	10" 1/4" .050" (1.3 Mm) - 60E

Housing





XC 27 P - Model Year 2009

Housing

Pos.	Part no.	Q.ty	Description	Remarks
73	23085000/0	1	Chain Cover	